

# MBOX

SHOWER ENCLOSURES



APRIL | 2018



**The new MBOX range of shower enclosures are smart and elegant, carefully selected to offer excellence in design, durability and affordability.**

The new MBOX range delivers stylish, quality products with additional features and benefits including new heights of 1900mm and comes with pre-assembled fixtures making it easier to fit.

MBOX now offers new loft sizes for our sliding and two door quadrants. This is ideal for loft spaces and low ceilings, making the most out of the space in your bathroom.

**M**  
**O**

# B

# X

## CONTENTS

New Features	04
1 Door Quadrant	06
1 Door Offset Quadrant	07
2 Door Quadrant	08
2 Door Offset Quadrant	09
Sliding Door with Side Panel	10
Sliding Door in a Recess	11
Pivot Door	12
Bifold Door	13
Corner Door	14
Inline Panels	15
Touchstone Trays	16
Bath Screens	18
Technical Information	20

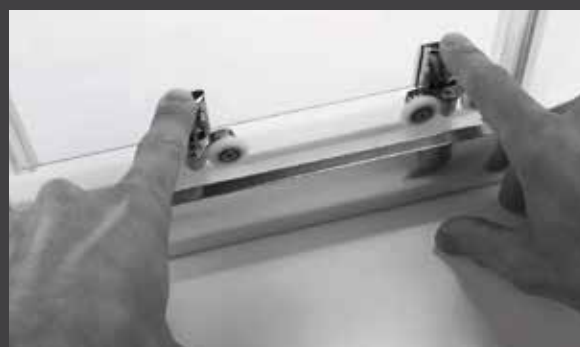
# NEW FEATURES

1 Now  
1900mm High



All MBOX enclosures are now 1900mm high as standard.

2 Double  
Rollers



All rollers on MBOX products are now double quick release for easy cleaning.

4 Extensive  
Range

45 sizes available

- 2 Door Quadrant
- 2 Door Offset Quadrant
- 1 Door Quadrant
- 1 Door Offset Quadrant
- Sliding Door
- Pivot Door
- Bifold Door
- Corner Door

This is the biggest and best MBOX range to date with 45 various sizes and shapes available.

5 New  
Inline Panels



MBOX now offers new Inline panels that can be used in any space from 650mm to 1900mm.

### 3 Unique Easy Fit System



1 Align the horizontal and vertical profiles together.



2 Slot the horizontal profile and screws into upright using guide channel until flush.



3 Secure screws into position using dedicated access holes.

### 6 New Loft Sizes



MBOX also offers 5 new reduced height doors. Perfect for converted loft spaces.

### 7 Designer Handle





1 Door Quadrant

## Key Features

- Height 1900mm
- 6mm toughened safety glass
- 10 Year Guarantee
- Reversible
- Easy to install
- Quick release double rollers for easy clean
- Mershield Protected Glass
- Chrome designer handle
- CE approved
- 20mm adjustment per wall profile
- **OPTIONAL** cover strips available - see pg 19

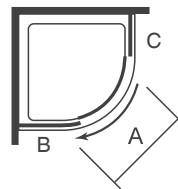
**MBOX**

## 1 Door Quadrant

Size	Adjustment Min - Max	Order Code	Price £ Ex. VAT	Price £ Inc. VAT
800 x 800	770 - 790	MB1Q800	390.37	468.44
900 x 900	870 - 890	MB1Q900	390.37	468.44
1000 x 1000	970 - 990	MB1Q1000	462.47	554.96

**Please Note:**

**Cover Strips do not come as standard and need to be ordered separately if required - see page 19**



Size, mm	A	B	C
800 x 800	422	490	235
900 x 900	476	529	335
1000 X 1000	476	629	444

A = Door Opening  
B = Fixed Curved Panel  
C = Fixed Straight Panel



1 Door Offset Quadrant - shown on Left Hand tray

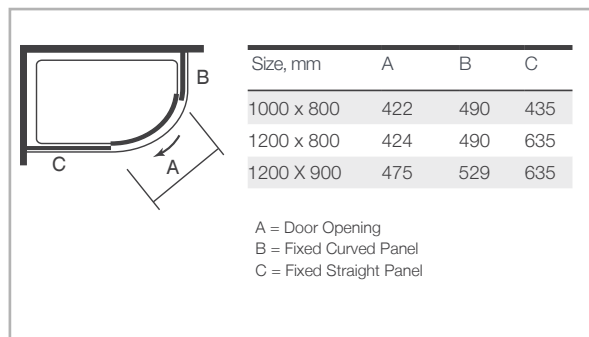
**MBOX**

### Key Features

- Height 1900mm
- 6mm toughened safety glass
- 10 Year Guarantee
- Reversible
- Easy to install
- Quick release double rollers for easy clean
- Mershield Protected Glass
- Chrome designer handle
- CE approved
- 20mm adjustment per wall profile
- **OPTIONAL** cover strips available - see pg 19

## 1 Door Offset Quadrant

Size	Adjustment Min - Max	Order Code	Price £ Ex. VAT	Price £ Inc. VAT
1000 x 800	970 - 990 770 - 790	MB1Q1080	457.32	548.78
1200 x 800	1170 - 1190 770 - 790	MB1Q1280	472.77	567.32
1200 x 900	1170 - 1190 870 - 890	MB1Q1290	491.31	589.57



**Please Note:**

Cover strips do not come as standard and need to be ordered separately if required - see page 19



2 Door Quadrant



### Key Features

- Height 1900mm
- 6mm toughened safety glass
- 10 Year Guarantee
- Reversible
- Magnetic seals
- Easy to install
- Quick release double rollers for easy clean
- Mershield Protected Glass
- Chrome designer handle
- CE approved
- 20mm adjustment per wall profile
- Loft height available
- **OPTIONAL** cover strips available - see pg 19

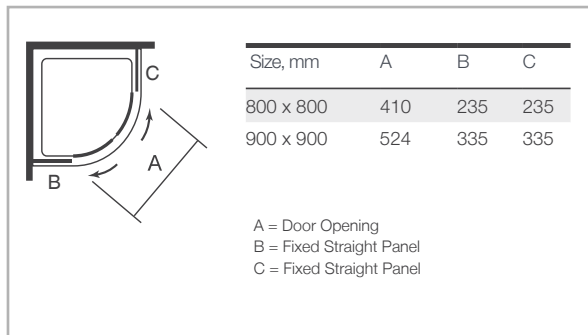
**MBOX**

## 2 Door Quadrant

Size	Adjustment Min - Max	Order Code	Price £ Ex. VAT	Price £ Inc. VAT
800 x 800	770 - 790	MB2Q800	287.37	344.84
900 x 900	870 - 890	MB2Q900	287.37	344.84

## 2 Door Loft Quadrant (Height 1800mm)

Size	Adjustment Min - Max	Order Code	Price £ Ex. VAT	Price £ Inc. VAT
800 x 800	770 - 790	MB2Q800/1800	345.05	414.06
900 x 900	870 - 890	MB2Q900/1800	345.05	414.06



**Please Note:**  
Cover Strips do not come as standard and need to be ordered seperately if required - see page 19





2 Door Offset Quadrant - shown on Left Hand tray

## Key Features

- Height 1900mm
- 6mm toughened safety glass
- 10 Year Guarantee
- Reversible
- Magnetic seals
- Easy to install
- Quick release double rollers for easy clean
- Mershield Protected Glass
- Chrome designer handle
- CE approved
- 20mm adjustment per wall profile
- **OPTIONAL** cover strips available - see pg 19

**MBOX**

## 2 Door Offset Quadrant

Size	Adjustment Min - Max	Order Code	Price £ Ex. VAT	Price £ Inc. VAT
900 x 760	870 - 890 730 - 750	MB2Q9076	325.48	390.58
900 x 800	870 - 890 770 - 790	MB2Q8090	345.05	414.06
1000 x 800	970 - 990 770 - 790	MB2Q1080	348.14	417.77
1200 x 800	1170 - 1190 770 - 790	MB2Q1280	366.68	440.02
1200 x 900	1170 - 1190 870 - 890	MB2Q1290	383.16	459.79

Size, mm	A	B	C
900 x 760	432	195	345
900 x 800	473	235	335
1000 X 800	465	235	435
1200 X 800	465	235	635
1200 X 900	524	335	635

A = Door Opening  
B = Fixed Curved Panel  
C = Fixed Straight Panel

**Please Note:**

**Cover Strips do not come as standard and need to be ordered separately if required - see page 19**



Sliding Door with Side Panel



## Key Features

- Height 1900mm
- 6mm toughened safety glass
- 10 Year Guarantee
- Reversible
- Magnetic seals
- Easy to install
- Mershield Protected Glass
- Chrome designer handle
- CE approved
- 20mm adjustment per wall profile
- Loft height available
- **OPTIONAL** cover strips available - see pg 19

**MBOX**

## Sliding Door with Side Panel

Size	Adjustment Min - Max	Order Code	Price £ Ex. VAT	Price £ Inc. VAT
1000	950 - 990	MBS1000	301.79	362.15
1100	1150 - 1190	MBS1100	301.79	362.15
1200	1150 - 1190	MBS1200	301.79	362.15
1400	1350 - 1390	MBS1400	355.81	426.98
1500	1450 - 1490	MBS1500	366.68	440.02
1600	1550 - 1590	MBS1600	376.98	452.38
1700	1650 - 1690	MBS1700	388.31	465.97

## Optional Side Panel

Size	Adjustment Min - Max	Order Code	Price £ Ex. VAT	Price £ Inc. VAT
700	670 - 690	MBSP700	163.85	196.62
760	730 - 750	MBSP760	163.85	196.62
800	770 - 790	MBSP800	163.85	196.62
900	870 - 890	MBSP900	174.07	208.88
1000	970 - 990	MBSP1000	215.27	258.32

## Optional Inline Panel

Size	Adjustment Min - Max	Order Code	Price £ Ex. VAT	Price £ Inc. VAT
150	130 - 150	MBN150	143.17	171.80
210	190 - 210	MBN210	143.17	171.80

Measurements above are for both Sliding Door with Side Panel and in a Recess

**Please Note:**

**Cover Strips do not come as standard and need to be ordered separately if required - see page 19**

A = Door Opening  
B = Fixed Panel  
C = Side Panel

Size, mm	A	B
1000	367	430
1100	417	480
1200	467	530
1400	567	630
1500	567	730
1600	567	830
1700	567	930



### Key Features

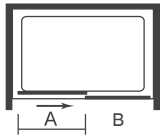
- Height 1900mm
- 6mm toughened safety glass
- 10 Year Guarantee
- Reversible
- Magnetic seals
- Easy to install
- Mershield Protected Glass
- Chrome designer handle
- CE approved
- 20mm adjustment per wall profile
- Loft height available
- **OPTIONAL** cover strips available - see pg 19

Sliding Door in a Recess

## MBOX

### Sliding Door in a Recess

Size	Adjustment Min - Max	Order Code	Price £ Ex. VAT	Price £ Inc. VAT
1000	950 - 990	MBS1000	301.79	362.15
1100	1150 - 1190	MBS1100	301.79	362.15
1200	1150 - 1190	MBS1200	301.79	362.15
1400	1350 - 1390	MBS1400	355.81	426.98
1500	1450 - 1490	MBS1500	366.68	440.02
1600	1550 - 1590	MBS1600	376.98	452.38
1700	1650 - 1690	MBS1700	388.31	465.97



Size, mm	A	B
1000	367	430
1100	417	480
1200	467	530
1400	567	630
1500	567	730
1600	567	830
1700	567	930

A = Door Opening  
B = Fixed Panel

**Please Note:**  
Cover strips do not come as standard and need to be ordered separately if required - see page 19

### Loft Sliding Door (Height 1800mm)

1200	1150 - 1190	MBS 1200/1800	362.56	435.07
------	-------------	---------------	--------	--------

### Loft Side Panel (Height 1800mm)

800	770 - 790	MBSP800/1800	196.73	236.08
900	870 - 890	MBSP900/1800	209.09	250.91



Pivot Door

## Key Features

- Height 1900mm
- 6mm toughened safety glass
- 10 Year Guarantee
- Reversible
- Magnetic seals
- Ideal for restricted spaces
- Mershield Protected Glass
- Chrome designer handle
- CE approved
- 20mm adjustment per wall profile
- **OPTIONAL** cover strips available - see pg 19

**MBOX**

## Pivot Door

Size	Adjustment Min - Max	Order Code	Tray finish Min - Max	Price £ Ex. VAT	Price £ Inc. VAT
700	650 - 690	MBP700	650 - 690	238.96	286.75
760	710 - 750	MBP760	710 - 750	251.32	301.58
800	750 - 790	MBP800	750 - 790	251.32	301.58
900	850 - 890	MBP900	850 - 890	268.83	322.60
1000	950 - 990	MBP1000	950 - 990	285.31	342.37

## Optional Side Panel

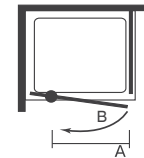
Size	Adjustment Min - Max	Order Code	Price £ Ex. VAT	Price £ Inc. VAT
700	670 - 690	MBSP700	163.85	196.62
760	730 - 750	MBSP760	163.85	196.62
800	770 - 790	MBSP800	163.85	196.62
900	870 - 890	MBSP900	174.07	208.88
1000	970 - 990	MBSP1000	215.27	258.32

## Optional Inline Panel

Size	Adjustment Min - Max	Order Code	Price £ Ex. VAT	Price £ Inc. VAT
150	130 - 150	MBN150	143.17	171.80
210	190 - 210	MBN210	143.17	171.80

**Please Note:**

**Cover strips do not come as standard and need to be ordered separately if required - see page 19**



Size, mm	A	B
700	451	430
760	511	490
800	551	530
900	600	580
1000	671	650

A = Door Opening  
B = Door Swing



Bifold Door

### Key Features

- Height 1900mm
- 4mm toughened safety glass
- 10 Year Guarantee
- Reversible
- Magnetic seals
- Mershield easy clean glass
- Chrome designer handle
- CE approved
- 20mm adjustment per wall profile
- **OPTIONAL** cover strips available - see pg 19

**MBOX**

## Bifold Door

Size	Adjustment Min - Max	Order Code	Price £ Ex. VAT	Price £ Inc. VAT
700	650 - 690	MBB700	280.16	336.19
760	710 - 750	MBB760	280.16	336.19
800	750 - 790	MBB800	280.16	336.19
900	850 - 890	MBB900	294.58	353.50
1000	950 - 990	MBB1000	319.30	336.16

## Optional Side Panel

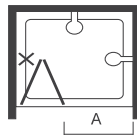
Size	Adjustment Min - Max	Order Code	Price £ Ex. VAT	Price £ Inc. VAT
700	670 - 690	MBSP700	163.85	196.62
760	730 - 750	MBSP760	163.85	196.62
800	770 - 790	MBSP800	163.85	196.62
900	870 - 890	MBSP900	174.07	208.88
1000	970 - 990	MBSP1000	215.27	258.32

## Optional Inline Panel

Size	Adjustment Min - Max	Order Code	Price £ Ex. VAT	Price £ Inc. VAT
150	130 - 150	MBN150	143.17	171.80
210	190 - 210	MBN210	143.17	171.80

**Please Note:**

Cover strips do not come as standard and need to be ordered separately if required - see page 19



Size, mm	A
700	370
760	430
800	470
900	570
1000	670

A = Door Opening





Corner Door

## Key Features

- Height 1900mm
- 6mm toughened safety glass
- 10 Year Guarantee
- Reversible
- Magnetic seals
- Easy to install
- Mershield Protected Glass
- Chrome designer handle
- CE approved
- 20mm adjustment per wall profile
- **OPTIONAL** cover strips available - see pg 19

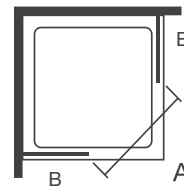
**MBOX**

## Corner Door

Size	Adjustment Min - Max	Order Code	Price £ Ex. VAT	Price £ Inc. VAT
760 x 760	730 - 750	MBC760	409.94	491.93
800 x 800	770 - 790	MBC800	431.57	517.88
900 x 900	870 - 890	MBC900	463.50	556.20

**Please Note:**

Cover strips do not come as standard and need to be ordered separately if required - see page 19



A = Door Opening  
B = Fixed Panels

Size, mm	A	B
760 x 760	345	310
800 x 800	375	330
900 x 900	444	380

# Inline Panels

## Every Space Covered



**Bifold Door**  
with Inline Panel

**Pivot Door**  
with Inline Panel



**Sliding Door**  
with Inline Panel

MBOX also offers you additional Inline Panel options. A great solution for spaces which don't suit standard size enclosures. The two Inline Panel sizes, each combined with our existing Sliding, Bifold and Pivot Doors, can make an enclosure to fit any space from 650mm to 1900mm wide.

Size	Order Code	Price £ Ex. VAT	Price £ Inc. VAT
150	MBN150	143.17	171.80
210	MBN210	143.17	171.80

# TOUCHSTONE TRAYS

M  
B  
O  
X  
C  
O  
L  
L  
E  
C  
T  
I  
O  
N



**TOUCHSTONE**

## Rectangular Tray

Waste needs to be ordered separately

Rectangular Tray				
Tray Size	Order Code	Tray Panel Kit	Price £ Exc. VAT	Price £ Inc. VAT
800 X 700	S870RTTO	Kit 4	118.01	141.61
800 X 760	S876RTTO	Kit 4	118.01	141.61
900 X 700	S970RTTO	Kit 4	128.94	154.73
900 X 760	S976RTTO	Kit 4	128.94	154.73
900 X 800	S980RTTO	Kit 4	128.94	154.73
1000 X 700	S107RTTO	Kit 4	133.15	159.78
1000 X 760	S1076RTTO	Kit 4	133.15	159.78
1000 X 800	S108RTTO	Kit 4	133.15	159.78
1000 X 900	S109RTTO	Kit 4	138.27	165.92
1100 X 800	S118RTTO	Kit 4	138.27	165.92
1200 X 700	S127RTTO	Kit 4	138.27	165.92
1200 X 760	S1276RTTO	Kit 4	144.86	173.83
1200 X 800	S128RTTO	Kit 4	153.55	184.26
1200 X 900	S129RTTO	Kit 4	164.80	197.76
1300 x 800	S138RTTO	Kit 4	213.89	256.67
1400 X 700	S147RTTO	Kit 3	220.30	264.36
1400 X 760	S1476RTTO	Kit 3	220.30	264.36
1400 X 800	S148RTTO	Kit 3	220.30	264.36
1400 X 900	S149RTTO	Kit 3	232.19	278.63
1500 X 700	S157RTTO	Kit 3	244.79	293.75
1500 X 760	S1576RTTO	Kit 3	258.47	310.16
1500 X 800	S158RTTO	Kit 3	258.47	310.16
1500 X 900	S159RTTO	Kit 3	272.07	326.48
1600 X 700	S167RTTO	Kit 3	288.40	346.08
1600 X 800	S168RTTO	Kit 3	288.40	346.08
1600 X 900	S169RTTO	Kit 3	302.82	363.38
1685 X 700	S177RTTO	Kit 3	312.43	374.92
1680 X 760	S1776RTTO	Kit 3	322.05	386.46
1700 X 800	S178RTTO	Kit 3	350.41	420.49
1700 X 900	S179RTTO	Kit 3	377.44	452.93

Please Note: The 1700 x 800 and 1700 x 900 tray has a centre waste



**TOUCHSTONE**

## Square Tray

Waste needs to be ordered separately

Square Tray				
Tray Size	Order Code	Tray Panel Kit	Price £ Exc. VAT	Price £ Inc. VAT
760 x 760	S76SQTO	Kit 4	78.42	94.10
800 x 800	S80SQTO	Kit 4	87.86	105.43
900 x 900	S90SQTO	Kit 4	101.48	121.78

Square Tray Panel Kit – Including Legs				
Tray Size	Order Code	Tray Panel Kit	Price £ Exc. VAT	Price £ Inc. VAT
1200 x 900	DRK4	Kit 4	85.10	102.12

Rectangle Tray Panel Kits – Including Legs				
Tray Size	Order Code	Tray Panel Kit	Price £ Exc. VAT	Price £ Inc. VAT
1700 x 900	DRK3	Kit 3	85.10	102.12
1200 x 900	DRK4	Kit 4	85.10	102.12

### Key Features

- 50mm high to achieve minimalist design
- 130mm high including tray panel set
- ABS capped acrylic sheets which has anti-bacterial properties
- Available as low level or with tray panel kits for easy installation
- 10 Year Guarantee\*

\*This guarantee covers manufacturing defects only





**TOUCHSTONE**

**Quadrant Tray**

Waste needs to be ordered separately

Quadrant Tray				
Tray Size	Order Code	Tray Panel Kit	Price £ Exc. VAT	Price £ Inc. VAT
800	S80QTO	Kit 2	96.13	115.36
900	S90QTO	Kit 2	107.45	128.94

Quadrant Tray Panel Kits – Including Legs				
Tray Size	Order Code	Tray Panel Kit	Price £ Exc. VAT	Price £ Inc. VAT
900	DRK2	Kit 2	85.10	102.12

Waste Complete Only				
	Order Code	Price £ Exc. VAT	Price £ Inc. VAT	
Waste complete	DWAS	20.00	24.00	



Graduated adjustable leg and easy fit tray panel kit.



**TOUCHSTONE**

Tray shown as Right Hand

**Offset Quadrant Tray**

Waste needs to be ordered separately

Offset Quadrant Tray				
Tray Size	Order Code	Tray Panel Kit	Price £ Exc. VAT	Price £ Inc. VAT
Right Hand				
1000 x 800	S108QRTO	Kit 1	145.87	175.04
1200 x 800	S128QRTO	Kit 1	153.55	184.26
1200 x 900	S129QRTO	Kit 1	181.18	217.42
Left Hand				
1000 x 800	S108QLTO	Kit 1	145.87	175.04
1200 x 800	S128QLTO	Kit 1	153.55	184.26
1200 x 900	S129QLTO	Kit 1	181.18	217.42

This product is handed – please choose L for Left or R for Right when ordering.

Offset Quadrant Tray Panel Kit – Including Legs				
Tray Size	Order Code	Tray Panel Kit	Price £ Exc. VAT	Price £ Inc. VAT
1200 x 900	DRK1	Kit 1	85.10	102.12



Graduated adjustable leg system.



90mm fast flow waste, includes hair trap and chrome cover.



## Fixed Square Bath Screen

Size (WxH)	Panels	Order Code	Price £ Ex. VAT	Price £ Inc. VAT
800 x 1500	1	MB0	108.60	130.32

### Key Features

- Fixed frameless screen
- 6mm toughened safety glass
- Reversible
- Lifetime Guarantee



## Single Square Bath Screen

Size (WxH)	Panels	Order Code	Price £ Ex. VAT	Price £ Inc. VAT
800 x 1500	1	MB2	175.30	210.36

### Key Features

- Frameless screen
- 6mm toughened safety glass
- Reversible
- Door swing - 90 degrees in and out
- MerShield Protected Glass
- Lifetime Guarantee



## Single Curved Bath Screen

Size (WxH)	Panels	Order Code	Price £ Ex. VAT	Price £ Inc. VAT
800 x 1500	1	MB1	148.20	177.84

### Key Features

- Frameless curved screen
- 6mm toughened safety glass
- Reversible
- Lifetime Guarantee
- Door swing - 90 degrees in and out



## Two Panel Folding Curved Bath Screen

Size (WxH)	Panels	Order Code	Price £ Ex. VAT	Price £ Inc. VAT
900 x 1500	2	MB3A	244.90	293.88

### Key Features

- Frameless screen
- 6mm toughened safety glass
- Reversible
- Door swing - 90 degrees in and out
- Lifetime Guarantee



## Two Panel Folding Square Bath Screen

Size (WxH)	Panels	Order Code	Price £ Ex. VAT	Price £ Inc. VAT
900 x 1500	2	MB3B	244.90	293.88

### Key Features

- Frameless screen
- 6mm toughened safety glass
- Reversible
- Door swing - 90 degrees in and out
- Lifetime Guarantee



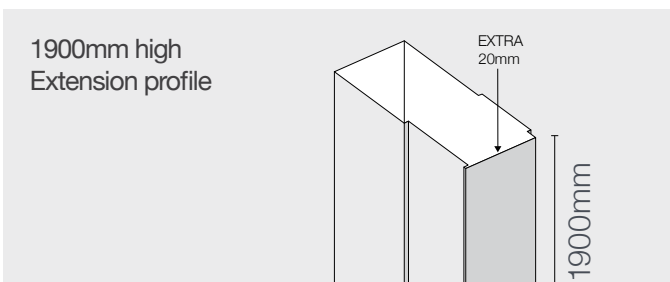
## Four Fold Bath Screen

Size (WxH)	Panels	Order Code	Price £ Ex. VAT	Price £ Inc. VAT
850 x 1400	4	MB4	290.90	349.08

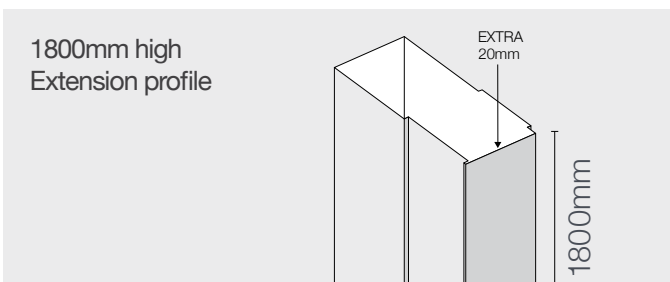
### Key Features

- 4mm toughened safety glass
- MerShield Protected Glass
- Reversible
- Easy storage
- Lifetime Guarantee

## MBOX Extension Profiles



Order Code	Price £ Ex. VAT	Price £ Inc. VAT
A0214B0	46.35	55.62



Order Code	Price £ Ex. VAT	Price £ Inc. VAT
MBEXT1800	43.26	51.91

## MBOX Cover Strips

### Standard Panel Cover Strip Pack (2 Piece)

Size (WxH)	Order Code	Price £ Ex. VAT	Price £ Inc. VAT
1900	MBWPKIT	50.47	60.56

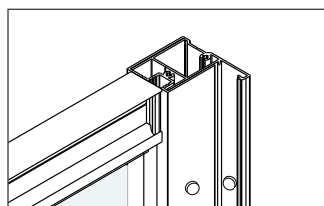
### Side Panel Cover Strip Pack (1 Piece)

Size (WxH)	Order Code	Price £ Ex. VAT	Price £ Inc. VAT
1900	MBSPKIT	40.17	48.20

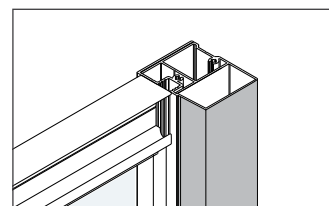
### Inline Panel Cover Strip Pack (1 Piece)

Size (WxH)	Order Code	Price £ Ex. VAT	Price £ Inc. VAT
1900	MBNKIT	40.17	48.20

**Please note: Cover strips do not come as standard and need to be ordered seperately if required.**



Without cover strip - chrome screw cover caps



With cover strip - conceals all fixings

---

## Product Information

All MBOX products are manufactured in accordance with EN 14428 and utilise toughened safety glass to EN 12150.

All doors feature adjustable wall profiles to compensate for out-of-true walls to obtain a perfect fit and operating action.

All enclosures, are power shower approved – will retain water under normal showering conditions.

Water retention is maintained in all products under normal showering conditions.

Opened cartons cannot be returned. Returns carry a £40 box charge or £60 per unit where the sale is less than 7 days old. Returns over 30 days old will not be accepted.

All products are supplied complete with full installation instructions and the necessary fixings.

Check with your dealer for accurate matching of material samples.

Our policy of reviewing product design and development on a regular basis means MERLYN reserve the right to change product specifications and prices without notice.

Only shower enclosures, panels and bath screens are covered by guarantees. Please contact the MERLYN sales team for more details.

Glass shattering and parts subject to wear are not covered by your guarantee.

Lifestyle images are for illustrated purposes only. The colours and finishes shown in the catalogue are as accurate as possible within the limits of the printing process. The positioning of all showering heads in the brochure is for illustrative purposes only.

All descriptions, specifications and particulars contained in this brochure are intended merely to represent a general idea of the products described herein and none of these form part of any contract to give rise to any independent or collateral liability upon the company.

---

## Bath Screen Information

MBOX bath screen is not designed to fit on baths with stepped fronts, roll top rims or integral soap dishes. Fitting of screen on baths which have a raised head rest or shape is not recommended. Screen must not be impaired by bath handles.

There must be no items causing obstruction with the seal and bath, as any of the above may cause leaks.

When choosing your bath screen, please ensure that if your bath has bath handles, that they do not interfere with the bath rim area where your screen will be placed.

When choosing an in-swing or folding bath screen, please ensure your swing area is not interfering with any brassware or internal shower features. Similarly, when choosing an out-swing, please ensure the out-swing area is free from any obstructions.

MBOX bath screens are suitable for standard pressure showers and are not recommended for use with power showers.

It is recommended that the shower head position is situated on the same wall to which the bath screen is fixed and in the centre of the shower area.

---

## Adjustment

This is the minimum and maximum adjustment of the actual enclosure. These are the adjustment dimensions of the actual door excluding the tray. Therefore, these are the dimensions to follow when installing an enclosure in a wetroom application without a tray.

---

## Cleaning

It is important to clean your MBOX shower door after every use.

Wipe down all the glass and metal parts with a soft cloth.

Do not allow lime scale to build up in hard water areas.

Ensure that any residual water on the glass is removed after every use.

Clean the glass regularly using soapy water.

Do not use abrasive products on any surfaces.

Install the enclosure in a well ventilated area.

For more information on Mersfield Stayclear glass please visit [www.merlynshowering.com](http://www.merlynshowering.com).

---

## Information and Maintenance

Always read the instructions on the packaging, chrome is vulnerable to acid attack and some strong household cleaners including strong disinfectants, denture cleaners, hair dyes, wine making chemicals and photographic chemicals may contain acid. These materials may have a varying effect on the surface from black spots/streaks (which cannot be removed) to pitting the surface. Contact with these materials should be avoided.

---

## Important shower tray information

Although shower door and enclosure sizes are related to tray sizes it is important to note that most shower trays are tiled down to the rim, often over an "up-stand". The finished installation space may be less than the nominal tray size.

Dimensions given in this publication are in millimetres, are approximate and may vary with adjustment. They are subject to change without notice.

Please note that when a tray is fitted it is essential that the tray is level before any doors or enclosures are fitted.



MERLYN invests heavily in its product development and as such guarantees that its glass fully complies with regulations and its manufactured in accordance with BS EN 14428.

The rigorous testing of the glass ensures that the endurance, stability and water retention criteria meet high industry standards

---

## Please Note

Prices are correct at time of print April 2018. E&OE. Due to circumstances beyond our control, prices may be altered including changes to the rate of V.A.T. Due to our policy of continuous improvement, we reserve the right to amend prices, specifications and designs without prior notice. Images are for illustrative purposes only. The colours and finishes shown in the catalogues are as accurate as possible within the limits of the printing process. All descriptions, specifications and particulars contained in this brochure are intended merely to represent a general idea of the products described herein and none of these form part of any contract to give rise to any independent or collateral liability upon the company.





