

**zehnder**

always the  
best climate

Always the best climate for

# RADIATORS AND TOWEL WARMERS

For central heating, electric  
and dual energy installations



## Bathrooms

Zehnder's Bathroom towel radiators range; from the simply practical to our affordable designer range, suitable for central heating, electric and dual energy installations.



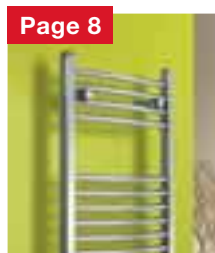
Page 4

Zehnder Aura straight version



Page 6

Zehnder Aura electric version



Page 8

Zehnder Aura curved version



Page 10

Zehnder Zeta



Page 16

Zehnder Klaro



Page 18

Fuji



Page 18

Fuego

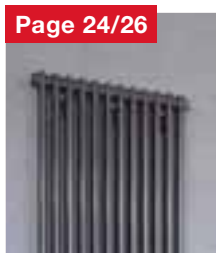


Page 20

Zehnder Stellar Spa

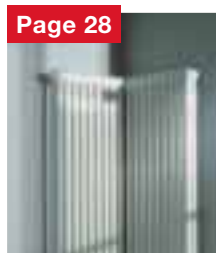
## Living

Zehnder's comprehensive range of central heating and electric radiators for living areas, provides a complete heating solution for the home at very competitive prices.



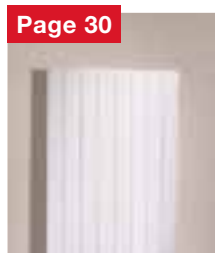
Page 24/26

Zehnder Charleston



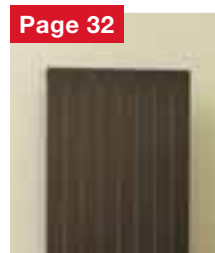
Page 28

Zehnder Charleston m2m



Page 30

Zehnder Nova



Page 32

Zehnder Nova m2m



Page 38

Zehnder Lyta-T



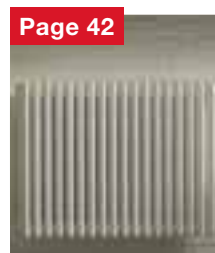
Page 40

Zehnder Kleo



Page 42

Zehnder Alura



Page 42

Zehnder Charleston Electric and Electric Plinth

## Accessories & Technical



Page 44/46

Extractor fans



Page 48

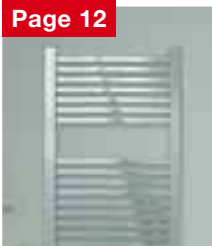
Valves, dual energy and electric products



Page 49

Technical specifications

Page 12



Zehnder Impa

Page 14



Zehnder Muralis

Page 22



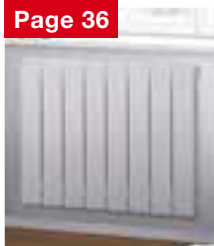
Zehnder Stellar

Page 34



Zehnder Stratos

Page 36



Zehnder Lyta-S

- A carefully selected range of quality products at very competitive prices
  - A wide choice of stock sizes available for immediate delivery
  - 5 year warranty for all centrally heated steel products
  - 10 year warranty for all centrally heated aluminium and stainless steel products
  - All products supplied with brackets and air vents as standard
  - Made-to-measure options included or available on request
  - A comprehensive colour range available for selected products
  - Average correction factors for alternative  $\Delta T$  values – see page 58
  - Expert technical back-up available
  - Full technical details of all products
- All outputs tested to the European standard EN442

#### Symbol Key

- Central heating
- Stainless steel
- Electric radiators
- Dual energy radiators
- m2m radiators
- Colour

Years warranty

Delivery working days

\*applies to stock items only


All products are CE approved.

All central heating products certified to EN442.

**STOCK:** All products listed in bold black type are stocked items.



Professional Bathroom CAD

Central Heating Model <b>STOCK</b> listed in black	Height mm	Width mm	Finish	Output $\Delta T=50K$ Watts/Btu All outputs certified to EN 442	Max. Immersion rating Watts*
 Zehnder Aura 22mm tube					
<b>PBZ-080-040</b>	775	400	white	287/979	200
<b>PBZ-080-050</b>	775	500	white	358/1221	200
<b>PBZ-080-060</b>	775	600	white	418/1426	300
<b>PBZ-120-050</b>	1217	500	white	512/1747	300
<b>PBZ-120-060</b>	1217	600	white	598/2040	400
<b>PBZ-150-050</b>	1469	500	white	631/2153	400
<b>PBZ-150-060</b>	1469	600	white	740/2525	500/400
<b>PBZ-180-050</b>	1856	500	white	788/2689	500/400
<b>PBZ-180-060</b>	1856	600	white	925/3156	600
<b>PBCZ-060-040</b> <b>NEW</b>	607	400	chrome	151/515	100/n/a
<b>PBCZ-080-040</b>	775	400	chrome	186/635	100/n/a
<b>PBCZ-080-050</b>	775	500	chrome	230/785	150/120
<b>PBCZ-080-060</b>	775	600	chrome	271/925	150/120
<b>PBCZ-120-040</b>	1217	400	chrome	278/949	200
<b>PBCZ-120-050</b>	1217	500	chrome	330/1126	200
<b>PBCZ-120-060</b>	1217	600	chrome	390/1331	300
<b>PBCZ-150-040</b>	1469	400	chrome	346/1181	300
<b>PBCZ-150-050</b>	1469	500	chrome	407/1389	300
<b>PBCZ-150-060</b>	1469	600	chrome	481/1641	300
<b>PBCZ-180-040</b> <b>NEW</b>	1856	400	chrome	432/1473	300
<b>PBCZ-180-050</b>	1856	500	chrome	513/1750	300
<b>PBCZ-180-060</b>	1856	600	chrome	607/2071	400
<b>PBCZ-180-075</b> <b>NEW</b>	1856	750	chrome	741/2527	500

Max. working pressure: 10 bar

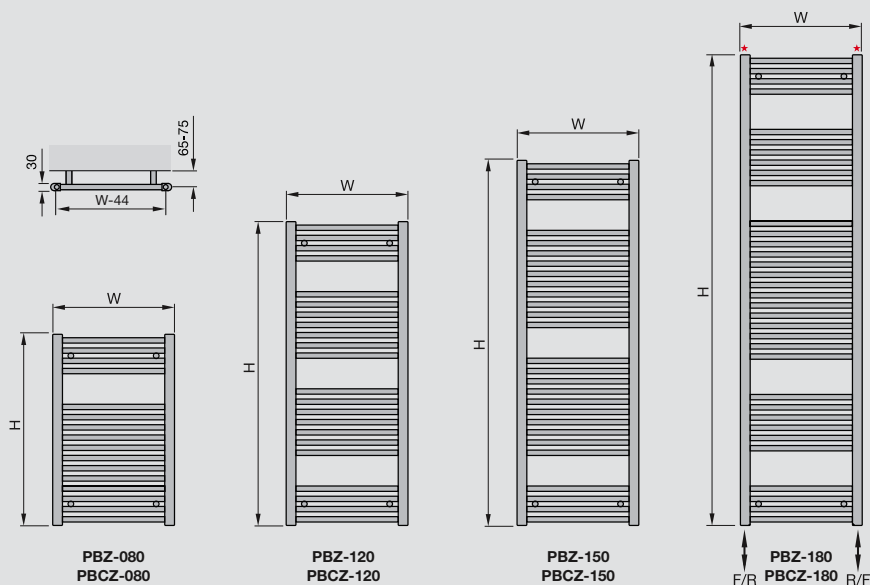
\*Rating for simple immersion/CTEC or CTEW

 Dual Energy: Self Fit - Additional cost to Central Heating model prices see page 48 for details

**Optional wall brackets**

Model	
<b>926511</b>	Set of 4 replacement brackets in white for PBZ models
<b>926518</b>	Set of 4 replacement brackets in chrome for PBCZ models

\* air vent  
Width excludes air vent  
F = flow  
R = return  
Tube: Horizontal  $\varnothing$  22mm  
Tube: Vertical D Profile 30 x 40mm  
All dimensions in mm



# Zehnder Aura



A classic ladder-style towel warmer in sizes to suit all popular heating sizes and types of décor. Easily connected to an existing central heating system, or fitted with a dual energy electric element for summer use. (See page 48 for details).



For more information see page 48



Suitable for dual energy installations. See page 48 for details



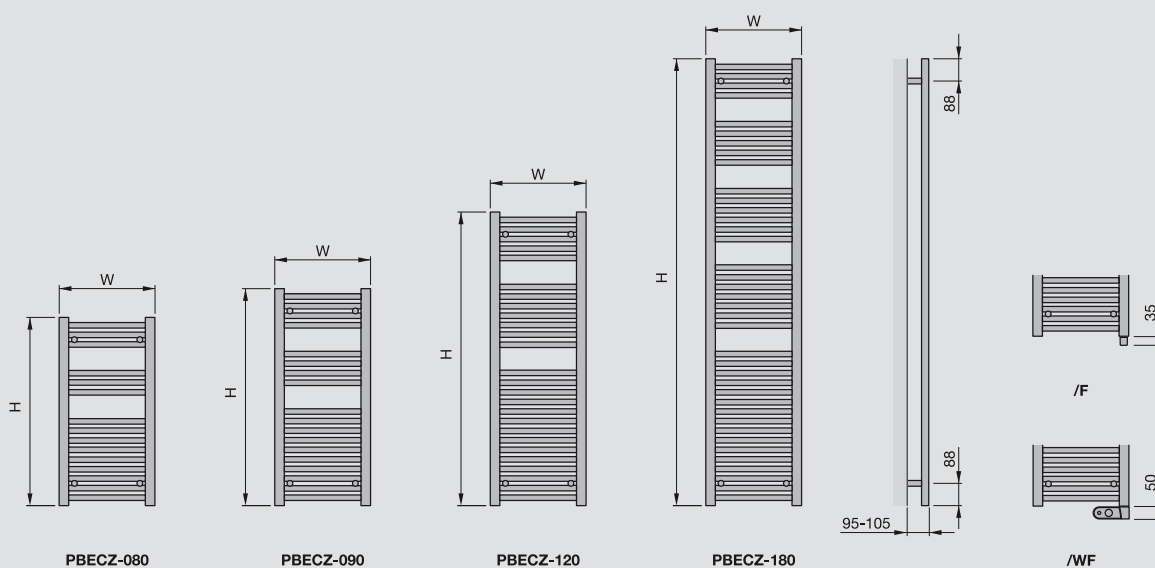
Electric Heating Model	Height mm	Width mm	Finish	Simple electric immersion heater Class II IPX4, Zones 1 and 2
<b>⚡</b> Zehnder Aura Electric 23mm tube				
PBECZ-080-40/F	821	400	chrome	150
PBECZ-090-50/F	941	500	chrome	200
PBECZ-120-50/F	1261	500	chrome	300
PBECZ-120-60/F	1261	600	chrome	400
PBECZ-180-50/F	1901	500	chrome	500

Electric Heating Model	Height mm	Width mm	Finish	Adjustable thermostatic controller Class II IPX4
<b>⚡</b> Zehnder Aura Electric 23mm tube				
PBECZ-120-50/WF	1287	500	chrome	300
PBECZ-120-60/WF	1287	600	chrome	400

Height measurements of electric models include electric heaters

Optional wall brackets	
Model	
926588	Set of 4 replacement brackets in chrome for PBECZ models

Tube: Horizontal Ø 23mm  
 Tube: Vertical D Profile 30 x 40mm  
 All dimensions in mm



# Zehnder Aura Electric



A classic yet stylish chrome electric towel radiator which is perfect for modern homes. Choose from a factory-fitted simple immersion heater or an adjustable thermostatic controller.



Simple Immersion heater



Adjustable thermostatic controller



Central Heating Model <b>STOCK</b> listed in black	Height mm	Width mm	Finish	Output $\Delta T=50K$ Watts/Btu All outputs certified to EN 442	Max. Immersion rating Watts*
Zehnder Aura Curved 22mm tube					
<b>PBTZ-080-050</b>	775	494	white	358/1221	200
<b>PBTZ-080-060</b>	775	595	white	418/1426	300
<b>PBTZ-120-050</b>	1217	494	white	512/1747	300
<b>PBTZ-120-060</b>	1217	595	white	598/2040	400
<b>PBTZ-180-050</b>	1856	494	white	788/2689	500/400
<b>PBTZ-180-060</b>	1856	595	white	925/3156	600
<b>PBTCZ-080-050</b>	775	494	chrome	230/785	150/120
<b>PBTCZ-080-060</b>	775	595	chrome	271/925	150/120
<b>PBTCZ-120-050</b>	1217	494	chrome	330/1126	200
<b>PBTCZ-120-060</b>	1217	595	chrome	390/1331	300
<b>PBTCZ-180-050</b>	1856	494	chrome	513/1750	300
<b>PBTCZ-180-060</b>	1856	595	chrome	607/2071	400

Max. working pressure: 10 bar

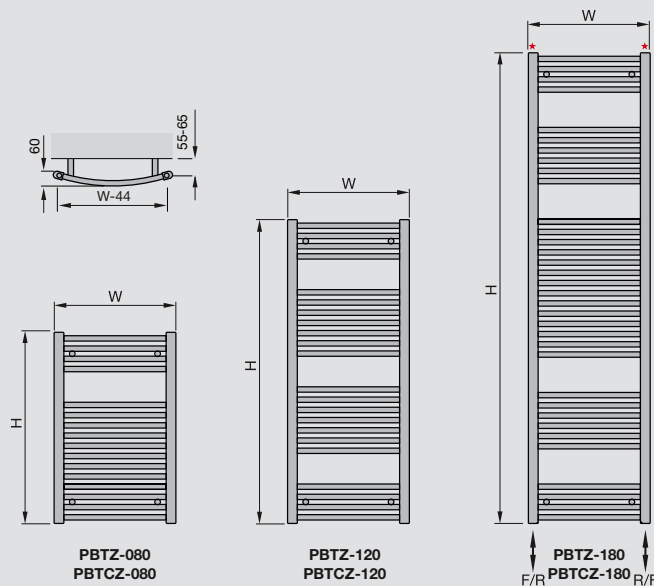
\*Rating for simple immersion/CTEC or CTEW

Dual Energy: Self Fit - Additional cost to Central Heating model prices see page 48 for details

**Optional wall brackets**

Model	
<b>926521</b>	Set of 4 replacement brackets in white for PBTZ models
<b>926528</b>	Set of 4 replacement brackets in chrome for PBTCZ models

\* air vent  
Width excludes air vent  
F = flow  
R = return  
Tube: Horizontal  $\varnothing$  22mm  
Tube: Vertical D Profile 30 x 40mm  
All dimensions in mm





# Zehnder Aura Curved



A stylish, modern curved ladder radiator for warming towels. Suitable for connection to an existing central heating system or fitted with a dual energy electric element for summer usage. (See page 48 for details).



For more information see  
page 48



Suitable for dual energy  
installations. See page 48  
for details



Central Heating Model <b>STOCK</b> listed in black	Height mm	Width mm	Pipe centres mm	Finish	Output $\Delta T=50K$ Watts/Btu All outputs certified to EN 442	Max. Immersion rating Watts
Zehnder Zeta						
PQ6-080-050	800	500	468	white	324/1105	200
PQ6-120-050	1200	500	468	white	476/1624	300
PQ6-160-050	1600	500	468	white	647/2208	400
PQ6-080-050-0346	800	500	468	anthracite	342/1105	200
PQ6-120-050-0346	1200	500	468	anthracite	476/1624	300
PQ6-160-050-0346	1600	500	468	anthracite	647/2208	400
PQ6C-080-050	800	500	468	chrome	203/689	200
PQ6C-080-060	800	600	568	chrome	235/792	200
PQ6C-120-050	1200	500	468	chrome	302/1034	300
PQ6C-120-060	1200	600	568	chrome	350/1204	400
PQ6C-160-050	1600	500	468	chrome	395/1344	400
PQ6C-160-060	1600	600	568	chrome	457/1559	400

Max. working pressure: 4 bar

Dual Energy: Self Fit - Additional cost to Central Heating model prices see page 48 for details

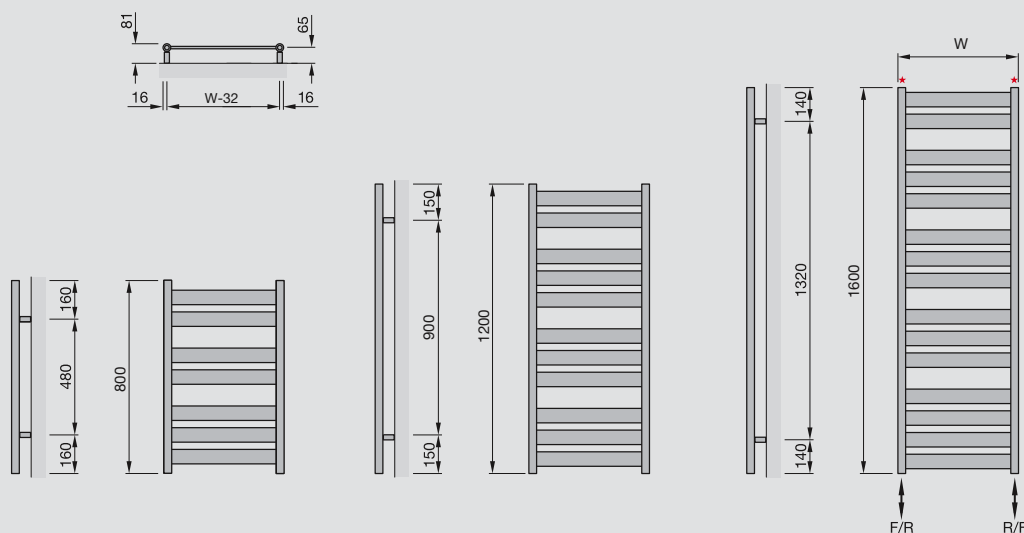
Electric Heating Model	Height mm	Width mm	Finish	Simple electric immersion heater Class I IPX5, Zones 1 and 2
------------------------	-----------	----------	--------	---

Zehnder Zeta Electric

PQ6EC-120-050/F	1235	500	chrome	300
-----------------	------	-----	--------	-----

Height includes immersion heater

\* air vent  
Width excludes air vent  
F = flow  
R = return  
Tube: Horizontal oval tube 60 x 10mm  
Tube: Vertical  $\varnothing$  32mm  
All dimensions in mm



For full compliant technical specifications, refer to page 49


# Zehnder Zeta



A popular variation of steel ladder rail suitable for installation on an existing central heating system. It is ideally suited for fitting with a dual energy electric immersion heater for use when the central heating is not in operation. (See page 48 for details). The electric model is fitted with a correctly sized simple immersion heater, keeping this elegant ladder-type radiator affordable.

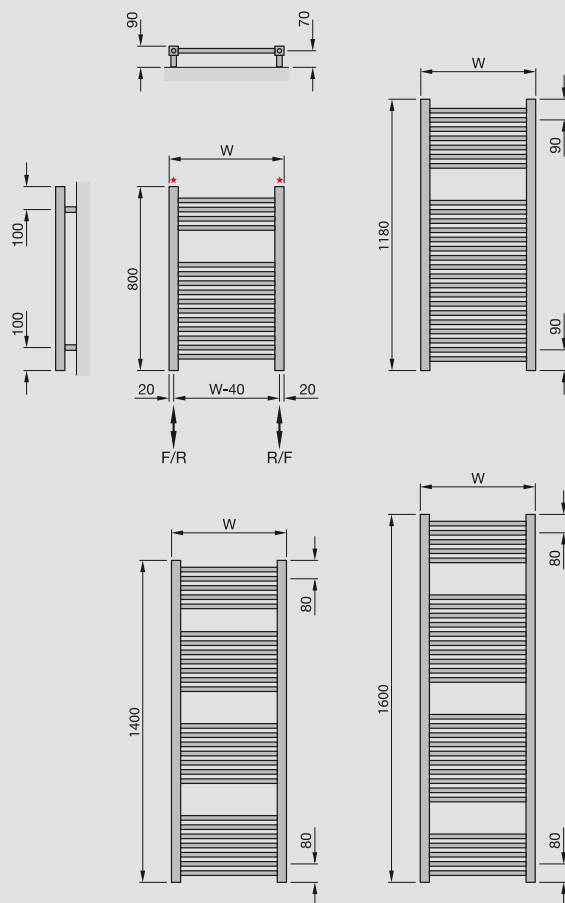


Anthracite

Central Heating Model <b>STOCK</b> listed in black	Height mm	Width mm	Finish	Output $\Delta T=50K$ Watts/Btu All outputs certified to EN 442	Max. Immersion rating Watts*
 Zehnder Impa					
<b>IMPC-080-050</b>	800	500	chrome	214/730	150/120
<b>IMPC-120-050</b>	1180	500	chrome	323/1102	200
<b>IMPC-140-050</b>	1400	500	chrome	387/1320	300
<b>IMPC-160-050</b>	1600	500	chrome	445/1518	300

\* Rating for simple immersion/CTEC or CTEW Max. working pressure: 4 bar

 Dual Energy: Self Fit - Additional cost to Central Heating model prices see page 48 for details




\* air vent  
Width excludes air vent  
F = flow  
R = return  
Tube: Horizontal 20 x 20mm  
Tube: Vertical 40 x 40mm  
All dimensions in mm

# Zehnder Impa



The Zehnder Impa is an ideal heated towel rail to complement bathrooms with angular sanitaryware. It is suitable for fitting with a dual energy electric immersion heater for use when the central heating system is not operating. (See page 48 for details).

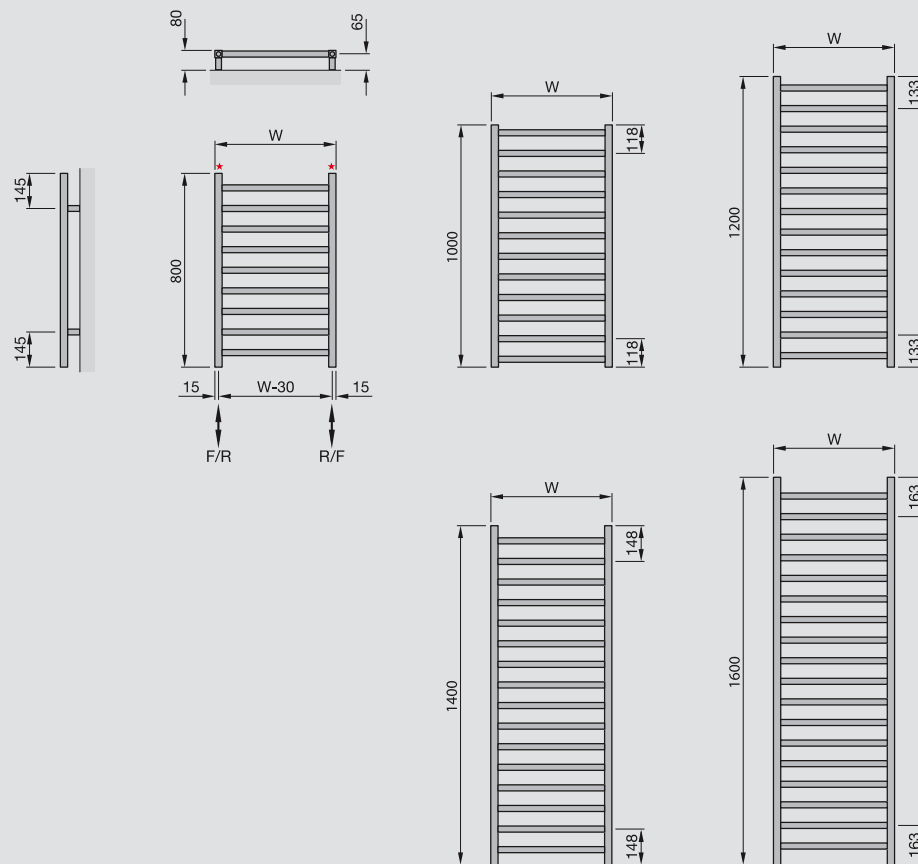


Central Heating Model <b>STOCK</b> listed in black	Height mm	Width mm	Finish	Output $\Delta T=50K$ Watts/Btu All outputs certified to EN 442	Max. Immersion rating Watts*
 Zehnder Muralis					
<b>MUR-080-050-0346</b>	800	500	anthracite	306/1044	200
<b>MUR-100-050-0346</b>	1000	500	anthracite	384/1310	200
<b>MUR-120-050-0346</b>	1200	500	anthracite	461/1573	300
<b>MUR-140-050-0346</b>	1400	500	anthracite	537/1832	300
<b>MUR-160-050-0346</b>	1600	500	anthracite	612/2088	400
<b>MURC-080-050</b>	800	500	chrome	197/672	150/120
<b>MURC-100-050</b>	1000	500	chrome	249/850	200
<b>MURC-120-050</b>	1200	500	chrome	301/1027	200
<b>MURC-140-050</b>	1400	500	chrome	346/1181	200
<b>MURC-160-050</b>	1600	500	chrome	391/1334	300

\* Rating for simple immersion/CTEC or CTEW Max. working pressure: 4 bar

 Dual Energy: Self Fit - Additional cost to Central Heating model prices see page 48 for details

\* air vent  
Width excludes air vent  
F = flow  
R = return  
Tube: Horizontal 23 x 23mm  
Tube: Vertical 30 x 30mm  
All dimensions in mm



# Zehnder Muralis



A modern, attractive, towel radiator with evenly spaced square tubes, the Zehnder Muralis is suitable for fitting with a dual energy electric immersion heater for use when the central heating system is not operating. (See page 48 for details).



Anthracite



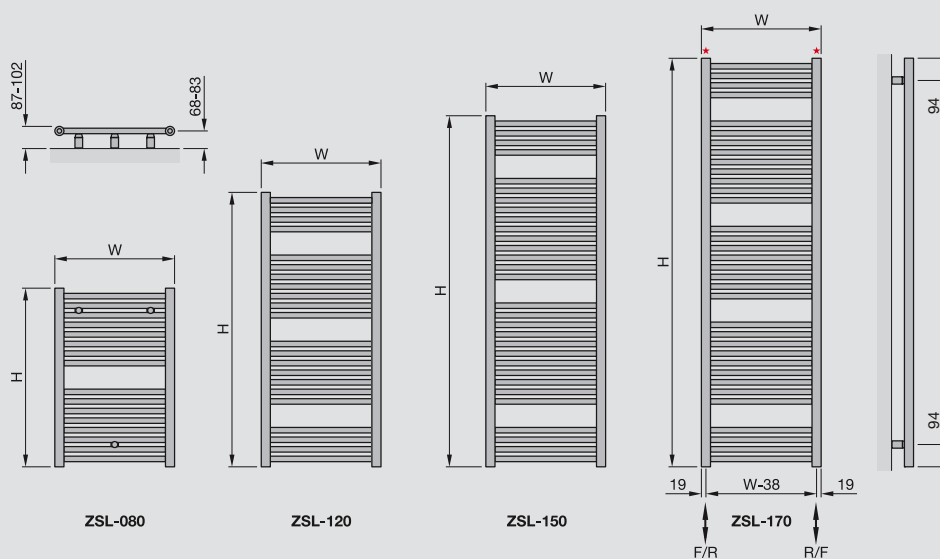
Central Heating Model <b>STOCK</b> listed in black	Height mm	Width mm	Finish	Output $\Delta T=50K$ Watts/Btu All outputs certified to EN 442	Max. Immersion rating Watts*
Zehnder Klaro					
ZSL-080-045-0336	748	450	volcanic	354/1208	200
ZSL-120-050-0336	1148	500	volcanic	571/1948	400
ZSL-120-060-0336	1148	600	volcanic	670/2286	500/400
ZSL-150-050-0336	1466	500	volcanic	716/2443	500/400
ZSL-150-060-0336	1466	600	volcanic	839/2863	500/400
ZSL-170-050-0336	1708	500	volcanic	824/2811	500/400
ZSL-170-060-0336	1708	600	volcanic	966/3296	600
ZSL-080-045-0523	748	450	beige quartz	354/1208	200
ZSL-120-050-0523	1148	500	beige quartz	571/1948	400
ZSL-120-060-0523	1148	600	beige quartz	670/2286	500/400
ZSL-150-050-0523	1466	500	beige quartz	716/2443	500/400
ZSL-150-060-0523	1466	600	beige quartz	839/2863	500/400
ZSL-170-050-0523	1708	500	beige quartz	824/2811	500/400
ZSL-170-060-0523	1708	600	beige quartz	966/3296	600
ZSL-080-045-0529	748	450	brown quartz	354/1208	200
ZSL-120-050-0529	1148	500	brown quartz	571/1948	400
ZSL-120-060-0529	1148	600	brown quartz	670/2286	500/400
ZSL-150-050-0529	1466	500	brown quartz	716/2443	500/400
ZSL-150-060-0529	1466	600	brown quartz	839/2863	500/400
ZSL-170-050-0529	1708	500	brown quartz	824/2811	500/400
ZSL-170-060-0529	1708	600	brown quartz	966/3296	600

An immersion heater for dual energy use can only be fitted in the header tube without the insert tube. Max. working pressure: 11.5 bar

\*Rating for simple immersion/CTEC or CTEW

Dual Energy: Self Fit - Additional cost to Central Heating model prices see page 48 for details

\*1/2" air vent  
Width excludes air vent  
F = flow  
R = return  
Tube: Horizontal  $\varnothing$  23mm  
Tube: Vertical  $\varnothing$  38mm  
All dimensions in mm





# Zehnder Klaro



A popular towel drying ladder rail available from stock in three contemporary colours, giving approximately 30% more output than chrome plus greater originality in bathroom design. It can be fitted with an immersion heater for use when the central heating system is not in use. (See page 48 for details).



Volcanic



Beige Quartz



Brown Quartz

Stocked colour range

Additional colours available to order: see pages 56 and 57

Delivery: 20 working days.

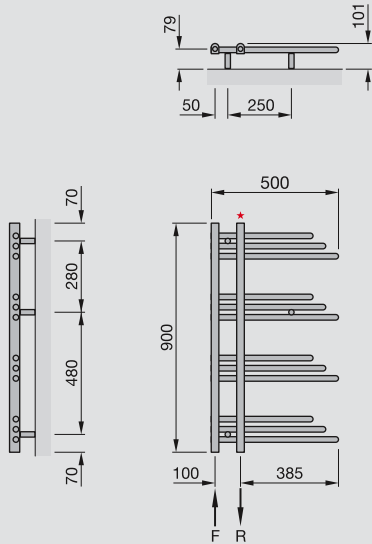


Central Heating Model STOCK listed in black	Height mm	Width mm	Pipe centres mm	Finish	Output $\Delta T=50K$ Watts/Btu All outputs certified to EN 442	Max. Immersion rating Watts
---	-----------	----------	-----------------	--------	--	-----------------------------



<b>PQ2C-090-050</b>	900	500	100	chrome	195/665	n/a
---------------------	-----	-----	-----	--------	---------	-----

Max. working pressure: 10 bar

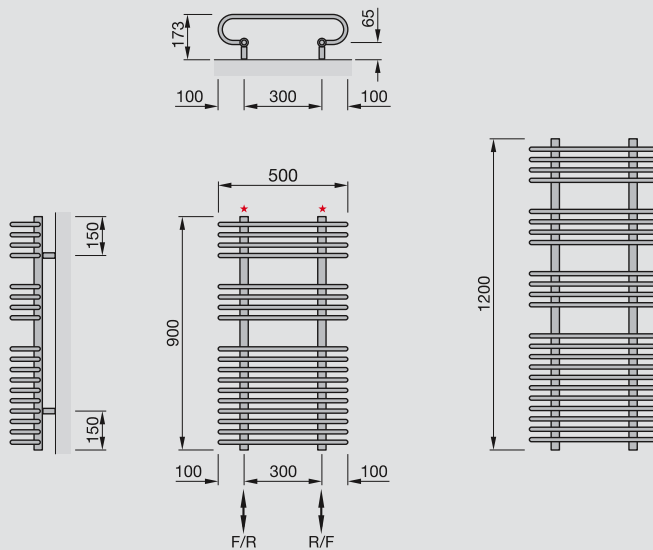


Central Heating Model STOCK listed in black	Height mm	Width mm	Pipe centres mm	Finish	Output $\Delta T=50K$ Watts/Btu All outputs certified to EN 442	Max. Immersion rating Watts
---	-----------	----------	-----------------	--------	--	-----------------------------



<b>PQ1C-090-050</b>	900	500	300	chrome	379/1293	300
<b>PQ1C-120-050</b>	1200	500	300	chrome	487/1662	300

Max. working pressure: 10 bar



For full compliant technical specifications, refer to page 50

# Fuji



With its 100mm pipe centres for neat installation, the stylish Fuji is easily connected to central heating systems.



For more information see page 48



# Fuego



The Fuego is suitable for installation on central heating systems. It can be fitted with a dual energy immersion heater for summer use or for when the heating system is not in operation. (See page 48 for details).



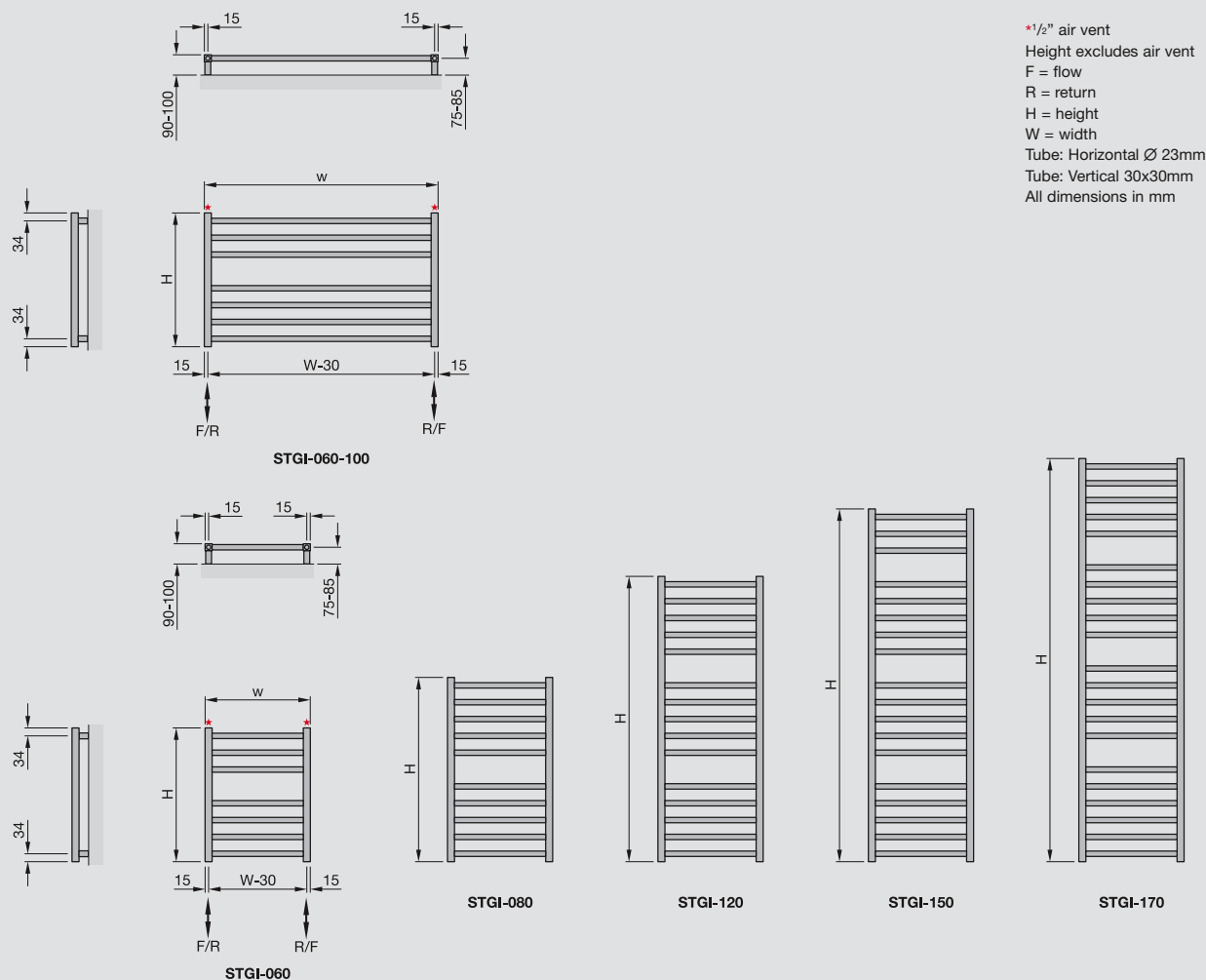
Central Heating Model <b>STOCK</b> listed in black	Height mm	Width mm	Finish	Output $\Delta T=50K$ Watts/Btu All outputs certified to EN 442	Max. Immersion rating Watts*
Zehnder Stellar Spa					
STGI-060-045	572	450	s/steel polished	161/549	100
STGI-060-100	572	1000	s/steel polished	272/928	150/120
STGI-080-030	788	300	s/steel polished	171/583	100
STGI-080-045	788	450	s/steel polished	220/751	100
STGI-080-060	788	600	s/steel polished	243/829	150/120
STGI-120-030	1220	300	s/steel polished	240/819	150/120
STGI-120-045	1220	450	s/steel polished	309/1054	150/120
STGI-120-060	1220	600	s/steel polished	379/1293	200
STGI-150-045	1508	450	s/steel polished	361/1232	300
STGI-150-060	1508	600	s/steel polished	448/1529	300
STGI-170-045	1724	450	s/steel polished	434/1481	200
STGI-170-060	1724	600	s/steel polished	517/1764	300
STGI-060-045-CF	572	450	s/steel painted	219/747	100/n/a
STGI-060-100-CF	572	1000	s/steel painted	394/1344	150/120
STGI-080-030-CF	788	300	s/steel painted	218/744	100/n/a
STGI-080-045-CF	788	450	s/steel painted	294/1003	100/n/a
STGI-080-060-CF	788	600	s/steel painted	363/1239	150/120
STGI-120-030-CF	1220	300	s/steel painted	332/1133	150/120
STGI-120-045-CF	1220	450	s/steel painted	448/1529	150/120
STGI-120-060-CF	1220	600	s/steel painted	554/1890	200
STGI-150-045-CF	1508	450	s/steel painted	556/1897	300
STGI-150-060-CF	1508	600	s/steel painted	687/2344	300
STGI-170-045-CF	1724	450	s/steel painted	640/2184	200
STGI-170-060-CF	1724	600	s/steel painted	791/2699	300

No price surcharge for colour finishes

Max. working pressure: 10 bar

\*Rating for simple immersion/CTEC or CTEW

Dual Energy: Self Fit - Additional cost to Central Heating model prices see page 48 for details



**Colour finish:** Standard colours from the Zehnder Colour Chart at no extra cost. Delivery of colour finish and non-stock products: 21 working days.

For full compliant technical specifications, refer to page 51

# Zehnder Stellar Spa




Contemporary in design in stainless steel to suit the latest lifestyle trends. Suitable for dual energy installation for year-long comfort.



Suitable for dual energy installations. See page 48 for details




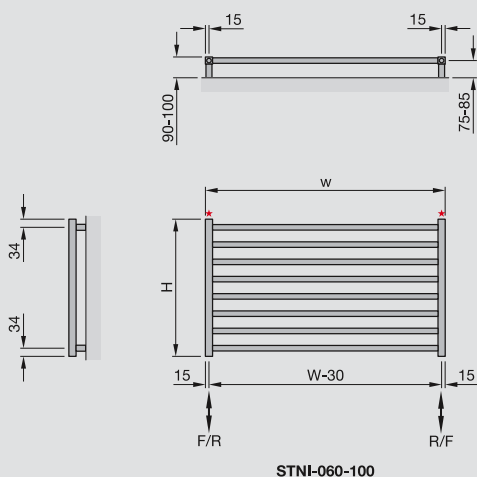
Central Heating Model <b>STOCK</b> listed in black	Height mm	Width mm	Finish	Output $\Delta T=50K$ Watts/Btu All outputs certified to EN 442	Max. Immersion rating Watts*
 Zehnder Stellar					
STNI-060-045	572	450	s/steel polished	159/541	100/n/a
STNI-060-100	572	1000	s/steel polished	284/970	200
STNI-080-030	788	300	s/steel polished	159/541	100/n/a
STNI-080-045	788	450	s/steel polished	206/702	150/120
STNI-080-060	788	600	s/steel polished	253/863	150/120
STNI-120-030	1220	300	s/steel polished	242/826	150/120
STNI-120-045	1220	450	s/steel polished	316/1078	150/120
STNI-120-060	1220	600	s/steel polished	391/1334	200
STNI-150-045	1508	450	s/steel polished	389/1327	300
STNI-150-060	1508	600	s/steel polished	491/1675	300
STNI-170-045	1724	450	s/steel polished	452/1542	300
STNI-170-060	1724	600	s/steel polished	545/1860	400
STNI-060-045-CF	572	450	s/steel painted	233/795	100/n/a
STNI-060-100-CF	572	1000	s/steel painted	430/1467	200
STNI-080-030-CF	788	300	s/steel painted	232/792	100/n/a
STNI-080-045-CF	788	450	s/steel painted	317/1082	150/120
STNI-080-060-CF	788	600	s/steel painted	395/1348	150/120
STNI-120-030-CF	1220	300	s/steel painted	353/1204	150/120
STNI-120-045-CF	1220	450	s/steel painted	482/1645	150/120
STNI-120-060-CF	1220	600	s/steel painted	600/2047	200
STNI-150-045-CF	1508	450	s/steel painted	591/2016	300
STNI-150-060-CF	1508	600	s/steel painted	736/2511	300
STNI-170-045-CF	1724	450	s/steel painted	672/2293	300
STNI-170-060-CF	1724	600	s/steel painted	838/2859	400

No price surcharge for colour finishes

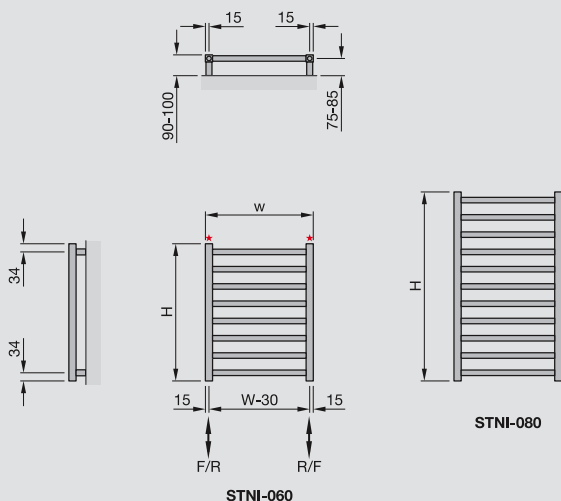
Max. working pressure: 10 bar

\*Rating for simple immersion/CTEC or CTEW

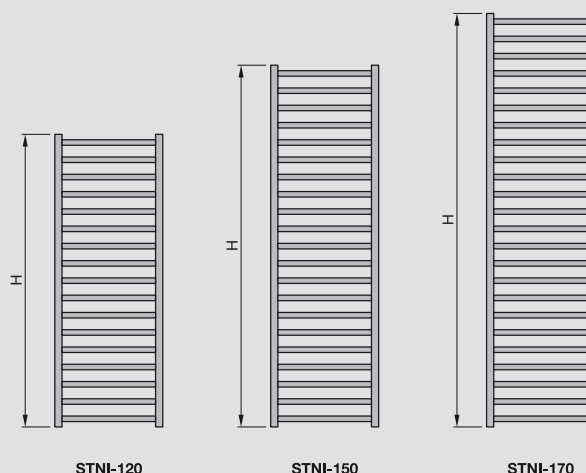
 Dual Energy: Self Fit - Additional cost to Central Heating model prices see page 48 for details



STNI-060-100



STNI-060




STNI-080


STNI-120

STNI-150

STNI-170

\*1/2" air vent  
Height excludes air vent  
F = flow  
R = return  
H = height  
W = width  
Tube: Horizontal  $\varnothing$  23mm  
Tube: Vertical 30x30mm  
All dimensions in mm

 **Colour finish:** Standard colours from the Zehnder Colour Chart at no extra cost. Delivery of colour finish and non-stock products: 21 working days.

For full  compliant technical specifications, refer to page 51

# Zehnder Stellar




Simple, elegant and contemporary, the stainless steel Zehnder Stellar is the ideal solution for minimalist bathroom designs and wet rooms.

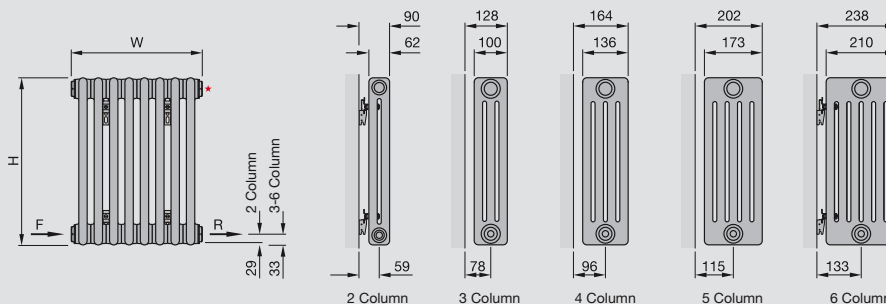


Suitable for dual energy installations. See page 48 for details





Central Heating Model STOCK listed in black	Height mm	Width mm	Number of sections	Finish	Output $\Delta T=50K$ Watts/Btu All outputs certified to EN 442
 Zehnder Charleston horizontal anthracite finish now stocked					
2050-10	492	486	10	white	384/1310
2050-14	492	670	14	white	538/1836
2050-18	492	854	18	white	691/2358
2050-22	492	1038	22	white	845/2883
2050-26	492	1222	26	white	998/3405
2060-10	592	486	10	white	453/1546
2060-14	592	670	14	white	634/2163
2060-18	592	854	18	white	815/2781
2060-22	592	1038	22	white	997/3402
2060-24	592	1130	24	white	1080/3685
2060-28	592	1314	28	white	1260/4284
3050-14	500	670	14	white	722/2463
3050-18	500	854	18	white	929/3170
3050-22	500	1038	22	white	1135/3873
3050-26	500	1222	26	white	1342/4579
3050-30	500	1406	30	white	1548/5282
3060-10	600	486	10	white	609/2078
3060-14	600	670	14	white	853/2910
3060-18	600	854	18	white	1096/3740
3060-20	600	946	20	white	1220/4163
3060-24	600	1130	24	white	1464/4995
3060-27	600	1268	27	white	1645/5613
3060-30	600	1406	30	white	1827/6234
3060-34	600	1590	34	white	2071/7066
3075-14	750	670	14	white	1040/3548
3075-22	750	1038	22	white	1635/5579
3075-26	750	1222	26	white	1932/6592
4030-20	300	946	20	white	840/2866
4030-30	300	1406	30	white	1260/4299
4060-14	600	670	14	white	1117/3811
4060-18	600	854	18	white	1436/4900
4060-20	600	946	20	white	1600/5459
4060-24	600	1130	24	white	1920/6551
4075-14	750	670	14	white	1364/4654
4075-18	750	854	164	white	1753/5981
4075-22	750	1038	164	white	2143/7312
4075-26	750	1222	164	white	2532/8639
3060-10-0346	600	486	10	anthracite	609/2078
3060-14-0346	600	670	14	anthracite	853/2910
3060-18-0346	600	854	18	anthracite	1096/3740
3060-20-0346	600	946	20	anthracite	1220/4163
3060-24-0346	600	1130	24	anthracite	1464/4995
3060-27-0346	600	1268	27	anthracite	1645/5613
3060-30-0346	600	1406	30	anthracite	1827/6234
3060-34-0346	600	1590	34	anthracite	2071/7066

Model code breakdown: eg. 3060-34 = 3 (number of columns), 060 (60cm high), 34 (number of sections).



You can use our Charleston packaging to protect your radiator whilst decorating. Instructions on the pack.

 **Colour finish:** Standard colours from the Zehnder colour chart including matt white finish: white RAL 9016 + 25%. Colour finish and non-stock products delivery: 15 working days.

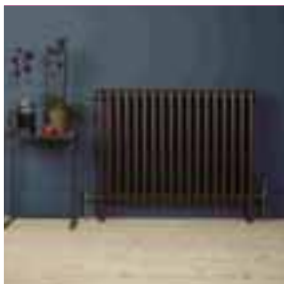
For full  compliant technical specifications, refer to page 52



# Zehnder Charleston




A timeless decorative radiator that suits modern or traditional settings, the multicolumn is available from stock in a RAL 9016 white finish and stylish textured Anthracite finish, or to order from a range of 50 colours. Wall supports and air vents are included. Stylish support feet are available if required.



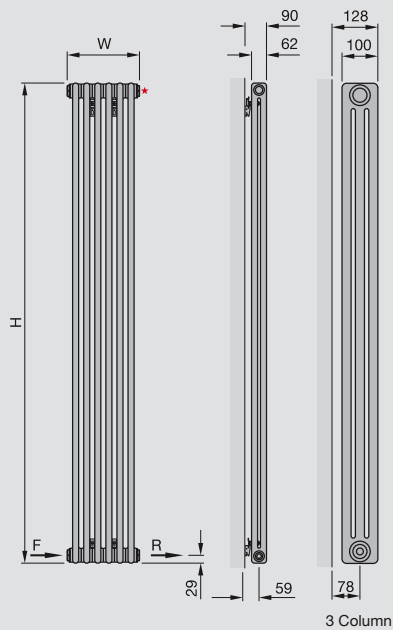
Copper-black hammered  
0421




White


Central Heating Model <b>STOCK</b> listed in black	Height mm	Width mm	Number of sections	Finish	Output $\Delta T=50K$ Watts/Btu All outputs certified to EN 442
 Zehnder Charleston vertical					
<b>2180-6</b>	1792	302	6	white	744/2539
<b>2180-8</b>	1792	394	8	white	992/3385
<b>2180-10</b>	1792	486	10	white	1240/4231
<b>2180-12</b>	1792	578	12	white	1488/5077
<b>3180-6</b>	1800	302	6	white	996/3398
<b>3180-8</b>	1800	394	8	white	1328/4531
<b>3180-10</b>	1800	486	10	white	1660/5664
<b>2180-8-0346</b> <b>NEW</b>	1792	394	8	anthracite	992/3385
<b>2180-10-0346</b> <b>NEW</b>	1792	486	10	anthracite	1240/4231
<b>2180-12-0346</b> <b>NEW</b>	1792	578	12	anthracite	1488/5077

Model code breakdown: eg. 3060-34 = 3 (number of columns), 060 (60cm high), 34 (number of sections).



You can use our Charleston packaging to protect your radiator whilst decorating. Instructions on the pack.

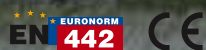
 **Colour finish:** Standard colours from the Zehnder colour chart including matt white finish: white RAL 9016 + 25%. Colour finish and non-stock products delivery: 15 working days.

For full  compliant technical specifications, refer to page 52

# Zehnder Charleston



A timeless decorative radiator that suits modern or traditional settings, the multicolumn is available from stock in a RAL 9016 white finish and stylish Anthracite textured finish, or to order from a range of 50 other colours. Wall supports and air vents are included. Stylish support feet are available if required.



Anthracite

Nominal Height mm	Model code	Output 50ΔT Watts/BTU		
<b>Zehnder Charleston - 2 column</b>				
200	2019	15/49		
300	2030	24/81		
400	2040	31/106		
450	2045	35/119		
500	2050	38/131		
550	2055	42/143		
600	2060	45/155		
750	2075	55/188		
900	2090	64/218		
1000	2100	70/239		
1200	2120	83/282		
1500	2150	104/355		
1800	2180	124/423		
2000	2200	138/471		

Model code	Output 50ΔT Watts/BTU			
<b>3 column</b>				
3019	20/69			
3030	32/109			
3040	42/143			
3045	47/160			
3050	52/176			
3055	56/192			
3060	61/208			
3075	74/254			
3090	87/297			
3100	95/324			
3120	115/392			
3150	140/478			
3180	166/566			
3200	183/624			

Model code	Output 50ΔT Watts/BTU			
<b>4 column</b>				
4019	28/97			
4030	42/143			
4040	55/187			
4045	61/209			
4050	68/232			
4055	74/251			
4060	80/272			
4075	97/332			
4090	114/389			
4100	125/427			
4120	147/502			
4150	180/614			
4180	213/727			
4200	234/798			

Nominal Height mm	Model code	Output 50ΔT Watts/BTU		
<b>Zehnder Charleston - 5 column</b>				
200	5019	35/119		
300	5030	52/177		
400	5040	68/232		
450	5045	76/259		
500	5050	84/285		
550	5055	91/310		
600	5060	99/336		
750	5075	120/409		
900	5090	141/481		
1000	5100	154/525		
1200	5120	179/611		
1500	5150	219/747		

Model code	Output 50ΔT Watts/BTU			
<b>6 column</b>				
6019	42/142			
6030	61/209			
6040	81/275			
6045	90/306			
6050	99/338			
6055	108/369			
6060	117/399			
6075	143/488			
6090	167/570			
6100	183/624			
6120	210/717			
6150	256/873			

Max. working pressure: 10 bar

**All data and prices per 46mm section**

**Dimensions:**

Nominal overall radiator length = (No. of sections x 46mm) + 26mm  
(Manufacturing tolerance of +/- 1.5% in length, +/- 2mm in height, +/- 5mm in depth).

**Selection example:**

Output required: approximately 1000 watts  
Dimensions required:  
approximately 600mm H x 900mm L  
Formula: (No. of sections x 46mm) + 26mm  
Calculation of sections:  
900mm - 26mm divided by 46 = 19 sections  
1000w divided by 19 section =  
approximately 52 watts/section required  
Radiator selection: 3050 = 52 watts/section  
52w x 19 section = 988 watts (50Δt)

**Foot support options (wall brackets included as standard)**

Model	No of Feet		
-------	------------	--	--

Welded-on fixed - 150mm (WF150) or adjustable fixed - 120-170mm (WF120) feet with cover plate

	8 - 20 sections	2	
	21 - 40 sections	3	
	41 - 60 sections	4	

Welded-on traditional - 100mm (WF100) or 150mm (WFTF150) feet


	2 - 20 sections	2 pairs	
	21 - 40 sections	3 pairs	
	41 - 60 sections	4 pairs	

Adjustable foot (100-150mm).

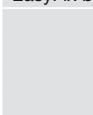
	<b>976131 white</b>	1	
	976139 colour	1	

Must always be used with wall brackets

Cast iron foot (100mm high)


	ZPGG-9016	1	
---	-----------	---	--


EasyFix brackets

	SMB-2PC		
	SMB-3PC		
	SMB-4PC		
	SMB-5PC		

Prices for Easyfix Brackets are given as a guide – please contact us to determine which brackets you require depending on the size of your radiator

Due to manufacturing tolerances in this product we recommend that you do not pre-pipe.

 **Colour finish:** Standard colours from the Zehnder colour chart including matt white finish: white RAL 9016 + 25%. Colour finish and non-stock products delivery: 15 working days.

For full  compliant technical specifications, refer to page 53



Standard CVD brackets supplied with Charleston radiators - colour to match the radiator



EasyFix bracket for radiators 300mm to 1000mm in height



EasyFix bracket for radiators below 260mm and above 1100mm in height

# Zehnder Charleston



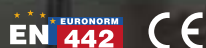
The traditional column radiator for central heating, available as made-to-measure in horizontal, vertical, angled or curved forms, with 50 colours from which to choose. A range of welded-on feet are available if required.




Technoline 0325




Black-silver hammered 0422



Central Heating Model <b>STOCK</b> listed in black	Height mm	Width mm	Finish	Output $\Delta T=50K$ Watts/Btu All outputs certified to EN 442
---	--------------	-------------	--------	--

 Zehnder Nova vertical

NV-180-028	1800	283	white	520/1774
NV-180-035	1800	354	white	650/2217
NV-180-042	1800	425	white	780/2661
NV-180-049	1800	496	white	910/3103
NV-180-056	1800	567	white	1040/3548
NVL-180-028	1800	283	white	676/2305
NVL-180-042	1800	425	white	1014/3460
NVL-180-049	1800	496	white	1183/4033
NVL-180-056	1800	567	white	1352/4613
NVL-180-063	1800	638	white	1517/5173
<b>NEW</b> NV-180-028-0346	1800	283	anthracite	520/1774
<b>NEW</b> NV-180-035-0346	1800	354	anthracite	650/2217
<b>NEW</b> NV-180-042-0346	1800	425	anthracite	780/2661
<b>NEW</b> NV-180-049-0346	1800	496	anthracite	910/3103
<b>NEW</b> NV-180-056-0346	1800	567	anthracite	1040/3548

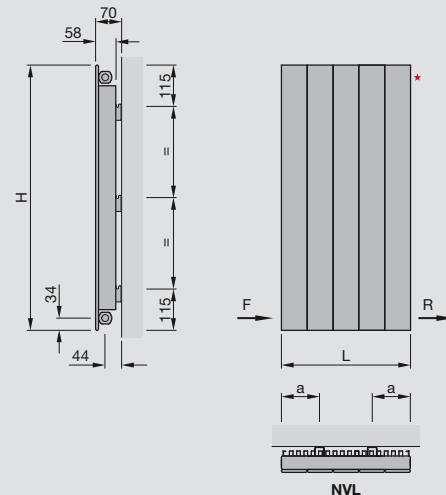
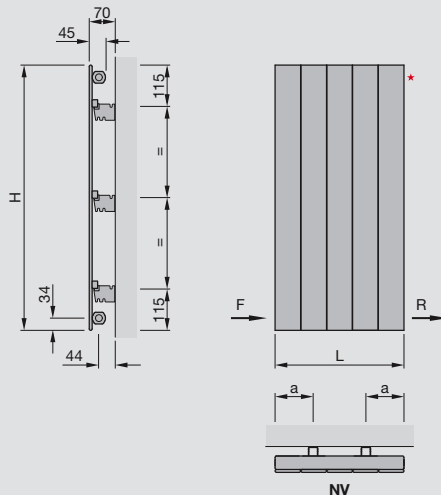
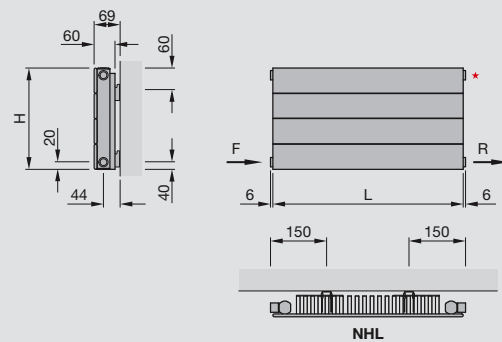
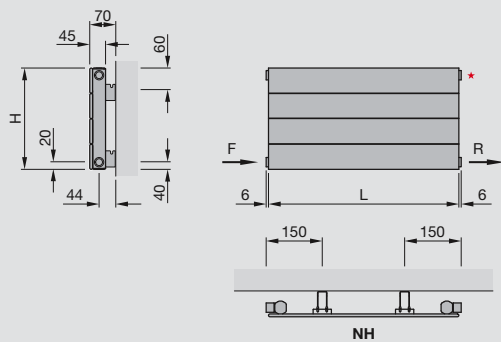
 Zehnder Nova horizontal


NH-056-080	567	800	white	477/1626
NH-056-100	567	1000	white	596/2032
NH-056-120	567	1200	white	715/2438
NH-056-140	567	1400	white	834/2843
NHL-049/049-100	496	1000	white	917/3130
NHL-049/049-120	496	1200	white	1100/3754
NHL-056/056-060	567	600	white	614/2095
NHL-056/056-080	567	800	white	819/2795
NHL-056/056-100	567	1000	white	1024/3494
NHL-056/056-120	567	1200	white	1229/4193
NHL-056/056-140	567	1400	white	1434/4889
NHL-056/056-160	567	1600	white	1638/5586


Max. working pressure: 4.6 bar

Pair of optional vertical side panels are available for vertical models if specified at order stage

Model	
SP	Add "SP" to the existing model code. Delivery 4-6 weeks.



 **Colour finish:** Standard colours from the Zehnder colour chart including matt white finish: white RAL 9016 + 25%. Colour finish and non-stock products delivery: 19 working days.

For full  compliant technical specifications, refer to page 55

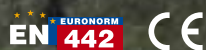
# Zehnder Nova



A stylish flat panel radiator with 1mm gaps between flat tubes, supplied from stock in a RAL 9016 white finish or stylish Anthracite textured finish. Brackets and an air vent included.



For more information see page 48



Anthracite


Zehnder Nova (NV) vertical single panel white										
Width		Model Code / Height (mm)								
(mm)	No of tubes	NV60 600	NV80 800	NV100 1000	NV120 1200	NV140 1400	NV160 1600	NV180 1800	NV200 2000	
212	3									
283	4									
354	5									
425	6									
496	7									
567	8									
638	9									
709	10									
Technical data per tube	Weight (kg)	1.52	1.88	2.21	2.55	2.88	3.3	3.63	3.97	
	Output 50ΔT Watts/BTU	46/157	60/205	74/252	88/300	102/348	116/396	130/444	145/495	


Zehnder Nova (NVL) vertical single panel, single fin white										
Width		Model Code / Height (mm)								
(mm)	No of tubes	NVL60 600	NVL80 800	NVL100 1000	NVL120 1200	NVL140 1400	NVL160 1600	NVL180 1800	NVL200 2000	
212	3									
283	4									
354	5									
425	6									
496	7									
567	8									
638	9									
709	10									
Technical data per tube	Weight (kg)	1.7	2.08	2.82	3.17	3.92	4.29	5.04	5.39	
	Output 50ΔT Watts/BTU	71/242	88/300	105/358	121/413	137/467	153/522	169/577	185/631	

Zehnder Nova (NH) horizontal single panel white													
Model Code	Height		Technical data per metre		Width (mm)								
	(mm)	No of tubes	Weight (kg)	Output 50ΔT Watts/BTU	400	600	800	1000	1200	1400	1600	1800	2000
NH28	283	4	8.2	323/1102									
NH35	354	5	10.14	391/1333									
NH42	425	6	12.08	459/1979									
NH49	496	7	14.01	527/1798									
NH56	567	8	15.95	596/2033									
NH63	638	9	17.89	666/2272									

Zehnder Nova (NHL) horizontal single panel, single fin, white													
Model Code	Height		Technical data per metre		Width (mm)								
	(mm)	No of tubes	Weight (kg)	Output 50ΔT Watts/BTU	400	600	800	1000	1200	1400	1600	1800	2000
NHL28/28	283	4	12.85	545/1859									
NHL35/35	354	5	17.63	710/2422									
NHL42/42	425	6	21.1	814/2777									
NHL49/49	496	7	24.59	917/3129									
NHL56/56	567	8	28.06	1024/3494									
NHL63/56	638	9	30.04	1086/3705									

Please refer to previous page for technical diagrams.  
Under-side connections available on request

 **Colour finish:** Standard colours from the Zehnder colour chart including matt white finish: white RAL 9016 + 25%. Colour finish and non-stock products delivery: 19 working days.

For full  compliant technical specifications, refer to page 55



# Zehnder Nova



Made to order offering of this stylish flat panel radiator. Popular sizes shown on opposite page, however, other sizes available on request.



Anthracite



For more information see page 48

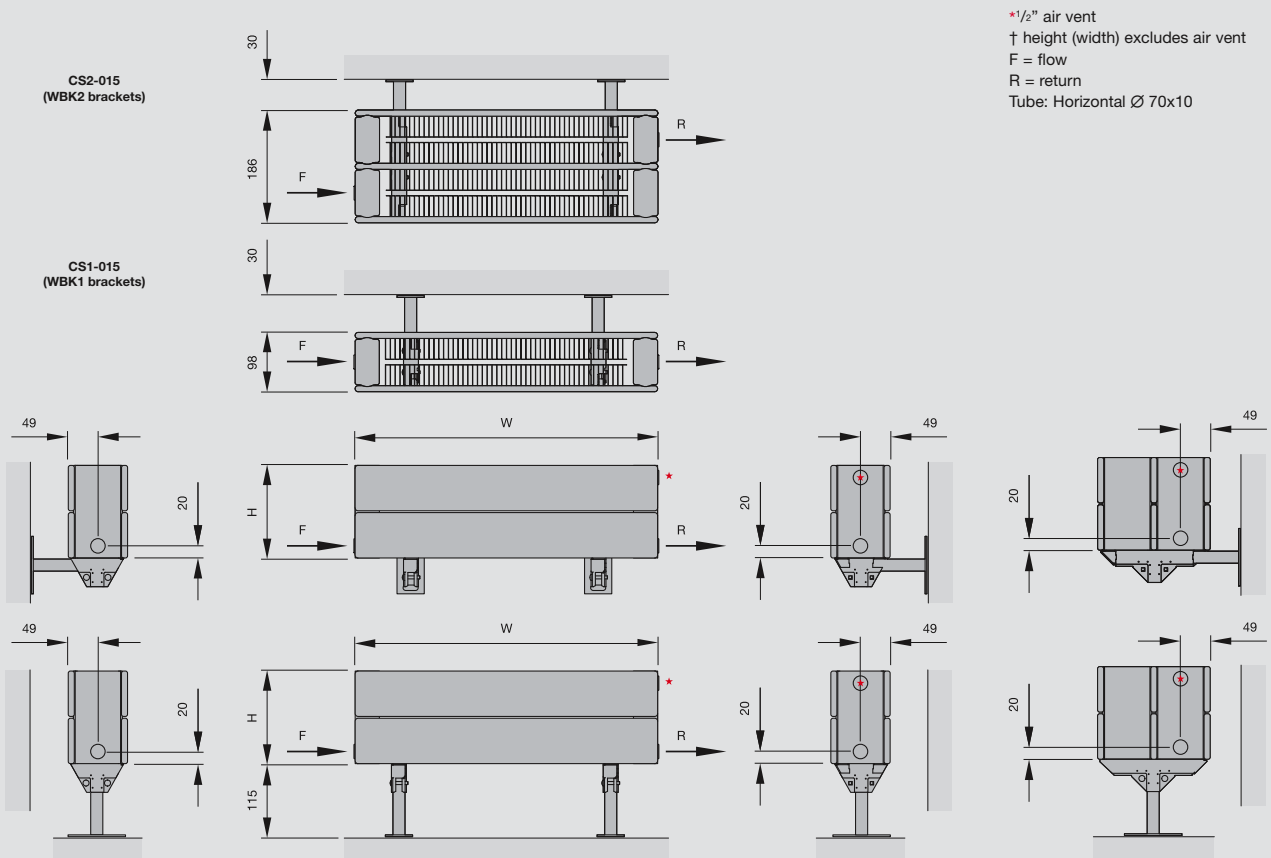


Central Heating Model <b>STOCK</b> listed in black	Height mm	Width mm	Depth mm	Finish	Output $\Delta T=50K$ Watts/Btu All outputs certified to EN 442
<b>Zehnder Stratos with factory-fitted matching grille</b>					
<b>CS1G-015-100</b>	153	1000	98	white	755/2578
<b>CS1G-015-120</b>	153	1200	98	white	906/3092
<b>CS1G-015-140</b>	153	1400	98	white	1057/3607
<b>CS1G-015-150</b>	153	1500	98	white	1134/3868
<b>CS1G-015-160</b>	153	1600	98	white	1209/4125
<b>CS1G-015-200</b>	153	2000	98	white	1511/5155
<b>CS2G-015-100</b>	153	1000	186	white	1331/4542
<b>CS2G-015-120</b>	153	1200	186	white	1598/5451
<b>CS2G-015-140</b>	153	1400	186	white	1864/6360
<b>CS2G-015-150</b>	153	1500	186	white	1997/6813
<b>CS2G-015-160</b>	153	1600	186	white	2130/7266
<b>CS2G-015-200</b>	153	2000	186	white	2663/9085

<b>Zehnder Stratos without factory-fitted grille</b>					
<b>CS1-015-100</b>	153	1000	98	white	791/2699
<b>CS1-015-120</b>	153	1200	98	white	949/3238
<b>CS1-015-140</b>	153	1400	98	white	1107/3777
<b>CS1-015-150</b>	153	1500	98	white	1187/4050
<b>CS1-015-160</b>	153	1600	98	white	1266/4319
<b>CS1-015-200</b>	153	2000	98	white	1582/5398
<b>CS2-015-100</b>	153	1000	186	white	1394/4756
<b>CS2-015-120</b>	153	1200	186	white	1673/5708
<b>CS2-015-140</b>	153	1400	186	white	1952/6660
<b>CS2-015-150</b>	153	1500	186	white	2091/7134
<b>CS2-015-160</b>	153	1600	186	white	2230/7608
<b>CS2-015-200</b>	153	2000	186	white	2788/9513

Max. working pressure: 4 bar

Grilles must be specified at order stage as they are not suitable for retrofit.



**Colour finish:** Standard colours from the Zehnder colour chart including matt white finish: white RAL 9016 + 25%. Colour finish and non-stock products delivery: 18 working days.

For full CE compliant technical specifications, refer to page 52

# Zehnder Stratos



The Zehnder Stratos achieves outstanding heat outputs for its compact dimensions, giving an excellent price/performance ratio. The universal brackets allow the convector to be wall or floor supported. It is available to purchase from stock with a top grille, or if preferred, made to order without a top grille.



For more information see  
page 48



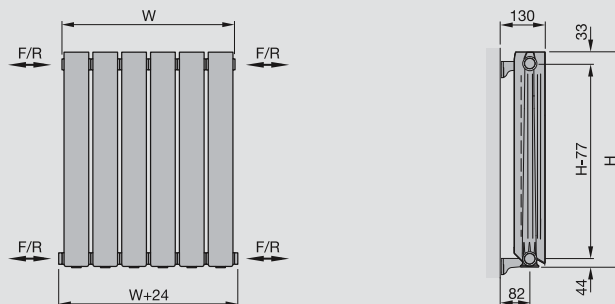
Central Heating Model STOCK listed in black	Height mm	Width mm	Number of sections	Finish	Output $\Delta T=50K$ Watts/Btu All outputs certified to EN 442
Zehnder Lyta-S					
<b>LYSV-Z-040-048</b>	395	480	6	white	546/1863
<b>LYSV-Z-040-064</b>	395	640	8	white	728/2484
<b>LYSV-Z-040-080</b>	395	800	10	white	910/3105
<b>LYSV-Z-040-096</b>	395	960	12	white	1092/3726
<b>LYSV-Z-040-112</b>	395	1120	14	white	1274/4347
<b>LYSV-Z-055-048</b>	545	480	6	white	737/2516
<b>LYSV-Z-055-064</b>	545	640	8	white	983/3354
<b>LYSV-Z-055-080</b>	545	800	10	white	1229/4193
<b>LYSV-Z-055-096</b>	545	960	12	white	1475/5032
<b>LYSV-Z-055-112</b>	545	1120	14	white	1721/5871
<b>LYSV-Z-065-048</b>	645	480	6	white	848/2895
<b>LYSV-Z-065-064</b>	645	640	8	white	1131/3860
<b>LYSV-Z-065-080</b>	645	800	10	white	1414/4824
<b>LYSV-Z-065-096</b>	645	960	12	white	1697/5789
<b>LYSV-Z-065-112</b>	645	1120	14	white	1980/6754

Zehnder Lyta-S Single sections					
<b>LYSV-040-008</b>	395	80	1	white	91/310
<b>LYSV-055-008</b>	545	80	1	white	123/420
<b>LYSV-065-008</b>	645	80	1	white	141/481

Max. working pressure: 16 bar  
 When adding or removing sections; joining nipples, gaskets and an assembly tool should be additionally purchased as required for the installation.

Accessories	
Model	
<b>A36/6</b>	Towel rail for 6 section Lyta-S. White RAL9010 (see page 38)
<b>905110</b>	Aluminium assembly tool 300
<b>905120</b>	Aluminium assembly tool 600
<b>905130</b>	Aluminium assembly tool 900
<b>905140</b>	Aluminium assembly tool 1200
<b>A2/1</b>	1 inch steel joining nipple -for use with Lyta-S
<b>A10/1</b>	Joining nipple gasket for joining the Lyta-S. White RAL 9010
<b>A11/1</b>	Gasket for end plugs for Lyta-S - Green
<b>A81</b>	Installation bush and bracket pack for Lyta-S
<b>A80</b>	Service assembly kit for the the Lyta-S radiator

\*1/2" air vent  
 Width excludes air vent  
 F = flow  
 R = return  
 H = height  
 W = width  
 All dimensions in mm



# Zehnder Lyta-S





A high output, low water content, die-cast aluminium radiator, giving a fast response, comfortable heat with high thermal energy efficiency. Easy to handle, the Lyta-S is resistant to corrosion with the ability to add or remove sections according to requirements. Brackets, plugs, bushes and air vent are included.



For more information see page 48



Central Heating Model STOCK listed in black	Height mm	Width mm	Number of sections	Finish	Output $\Delta T=50K$ Watts/Btu All outputs certified to EN 442
 Zehnder Lyta-T					
<b>LYTV-Z-097-032</b>	966	320	4	white	728/2484
<b>LYTV-Z-097-048</b>	966	480	6	white	1092/3726
<b>LYTV-Z-147-032</b>	1466	320	4	white	1000/3412
<b>LYTV-Z-147-048</b>	1466	480	6	white	1500/5118
<b>LYTV-Z-187-024</b>	1866	240	3	white	900/3071
<b>LYTV-Z-187-032</b>	1866	320	4	white	1200/4094
<b>LYTV-Z-187-040</b>	1866	400	5	white	1500/5118
<b>LYTV-Z-187-048</b>	1866	480	6	white	1800/6142

 Zehnder Lyta-T Single sections					
<b>LYTV-097-008</b>	966	80	1	white	182/621
<b>LYTV-147-008</b>	1466	80	1	white	250/853
<b>LYTV-187-008</b>	1866	80	1	white	300/1024

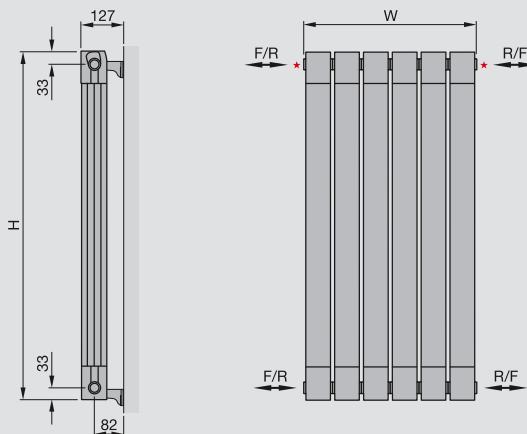
Max. working pressure: 16 bar

When adding or removing sections; joining nipples, gaskets and an assembly tool should be additionally purchased as required for the installation.

**Accessories**

Model	
<b>905110</b>	Aluminium assembly tool 300
<b>905120</b>	Aluminium assembly tool 600
<b>905130</b>	Aluminium assembly tool 900
<b>905140</b>	Aluminium assembly tool 1200
<b>A32/1</b>	Gasket for nipples, plugs and adaptors for Lyta-T - Black
<b>A33/1</b>	1 inch steel joining nipple for Lyta-T
<b>A82</b>	Installation bush and bracket pack for Lyta-T
<b>A36/4</b>	Towel rail for 4 section Lyta-T. White (RAL9010)
<b>A36/5</b>	Towel rail for 5 section Lyta-T. White (RAL9010)
<b>A36/6</b>	Towel rail for 6 section Lyta-S and Lyta-T. White (RAL9010)

\*1/2" air vent  
Width excludes air vent  
F = flow  
R = return  
H = height  
W = width  
All dimensions in mm



# Zehnder Lyta-T



The Lyta is a high output, low water content, extruded aluminium radiator. Resistant to corrosion, sections can be added or removed to suit installation requirements. The Lyta-T has the practical option of a towel bar. Brackets, plugs, bushes and air vent are included.



For more information see page 48

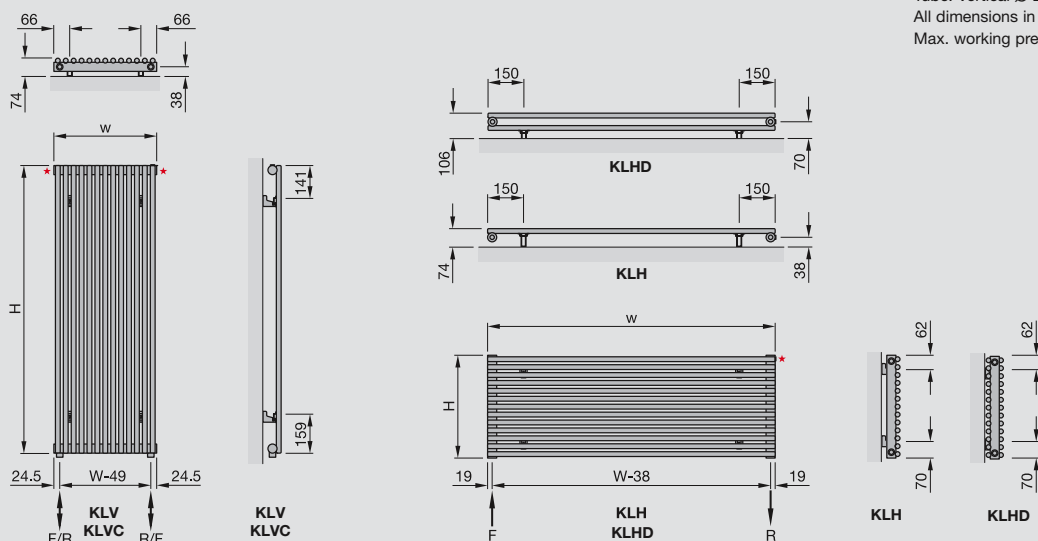


Central Heating Model <b>STOCK</b> listed in black	Height mm	Width mm	Number of tubes	Finish	Output $\Delta T=50K$ Watts/Btu All outputs certified to EN 442
Zehnder Kleo vertical					
<b>KLV-180-030</b>	1800	299	9	white	632/2156
<b>KLV-180-040</b>	1800	398	12	white	842/2874
<b>KLV-180-050</b>	1800	497	15	white	1053/3593
<b>KLV-180-060</b>	1800	596	18	white	1260/4320
<b>KLVC-180-030</b>	1800	299	9	chrome	448/1529
<b>KLVC-180-040</b>	1800	398	12	chrome	597/2040
<b>KLVC-180-050</b>	1800	497	15	chrome	747/2549
<b>KLVC-180-060</b>	1800	596	18	chrome	896/3057

Zehnder Kleo horizontal					
<b>KLH-058-100</b>	596	1000	18	white	782/2668
<b>KLH-058-120</b>	596	1200	18	white	938/3201
<b>KLH-058-140</b>	596	1400	18	white	1094/3735
<b>KLHD-058-100</b>	596	1000	18	white	1211/4134
<b>KLHD-058-120</b>	596	1200	18	white	1453/4961
<b>KLHD-058-140</b>	596	1400	18	white	1695/5787

Max. working pressure: 11.5 bar

The KLV can also be installed horizontally with TBSE connections on either side



\*1/8" air vent  
Width excludes air vent  
F = flow  
R = return  
Tube: Horizontal  $\varnothing$  38mm  
Tube: Vertical  $\varnothing$  20mm  
All dimensions in mm  
Max. working pressure: 4 bar

**Colour finish:** Standard colours from the Zehnder colour chart including matt white finish: white RAL 9016 + 25%. Colour finish and non-stock products delivery: 20 working days.

For full compliant technical specifications, refer to page 54



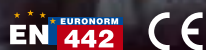
# Zehnder Kleo



A contemporary tubular column radiator in vertical and horizontal orientations, supplied from stock in a RAL 9016 white finish or stylish, modern chrome. Brackets and an air vent included.

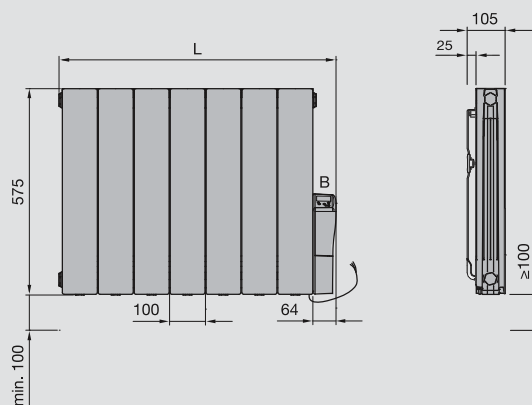


For more information see  
page 48

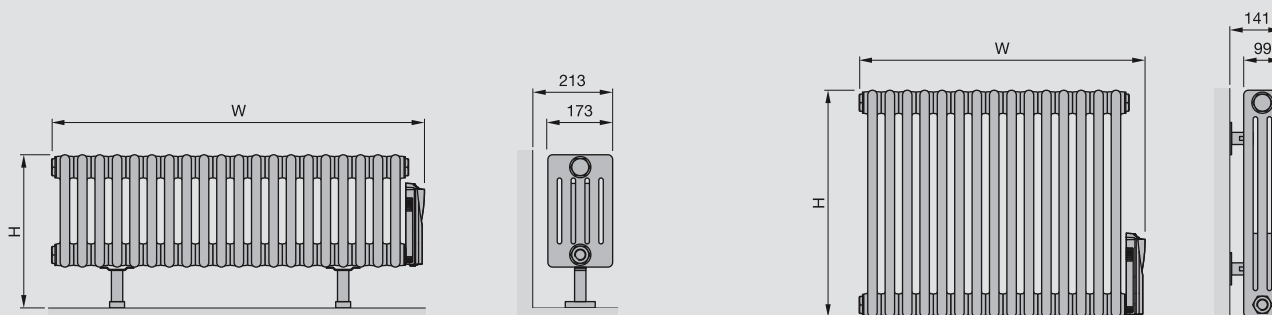


Electric Heating Model <b>STOCK</b> listed in black	Height mm	Width mm	Number of sections	Finish	With factory fitted controls, Class II IPX4 Electric Rating (Watts)
<b>⚡ Zehnder Alura Electric</b>					
ALE-050-036/F	575	354	3	white	500
ALE-075-046/F	575	454	4	white	750
ALE-100-056/F	575	554	5	white	1000
ALE-125-076/F	575	754	7	white	1250
ALE-150-086/F	575	854	8	white	1500
ALE-200-116/F	575	1154	11	white	2000

Temperature controller: Backlit LCD digital display screen gives complete control. Temperature can be adjusted in 0.5°C increments. 3 pre-set programmes and 5 mode settings. Open window detection system and parental lock.



Electric Heating Model <b>STOCK</b> listed in black	Height mm	Width mm	Number of sections	Finish	Electric Immersion Rating (Watts) With factory fitted HCL Electric only Models Class II, IPX4 CE
<b>⚡ Zehnder Charleston Electric</b>					
NZ-060-053	600	570	10	white	500
NZ-060-062	600	662	12	white	750
NZ-060-076	600	800	15	white	1000
NZ-060-089	600	938	18	white	1250
NZ-060-103	600	1076	21	white	1500
NZ-060-131	600	1352	27	white	2000
<b>⚡ Zehnder Charleston Plinth Electric</b>					
NZ-030-100	400-450	995	20	white	1000



**⚡ Colour finish:** Standard colours from the Zehnder colour chart including matt white finish: white RAL 9016 + 25%. Colour finish and non-stock products delivery: 16 working days.

## Zehnder Alura



This fast response electric aluminium radiator has a high output in relation to its size. Its weight and size makes this radiator easy to install, and the straightforward digital controls make it easy and economical to use. H shaped mounting bracket with removable spirit level and locking system included.



## Zehnder Charleston Electric and Electric Plinth



The Zehnder Charleston Electric is an electric, oil filled multi-column radiator available in 6 sizes ideal for installation in loft conversions. The complementary Zehnder Charleston Electric Plinth low level model is perfectly suited to conservatories and in front of low-level windows.



**Operating information:**

100mm fan suitable for walls and ducted ceilings with a supplied choice of 3 fascia options

**Zehnder Silent Basic wall fan:**

- Single speed
- Operation by light switch or remote


**Zehnder Silent Timer fan:**

- Single speed, 230v
- Operation by light switch or remote switch
- Adjustable over-run timer (2-30mins) factory set at 15 minutes. When wired into room light or remote switch the fan will operate whilst the light is on and, when switched off, will run on over-run timer for the pre-set over-run period.

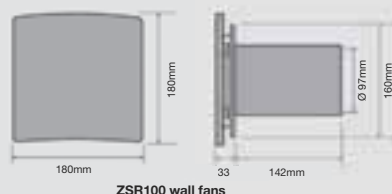
**Zehnder Silent Humidistat fan:**

- Single speed, 230v
- Automatic operation by the integrated humidistat sensor with optional manual override via remote switch
- Over-run timer cuts in once desired humidity has been reached to prevent fan 'hunting' on and off. Adjustable over-run timer (2-30mins)

All fans suitable for wall or ceiling mounting with discharge through an external wall or soffit, but not the roof. Please see page 46 for diagrams. Not for use with more than 3m of ducting.

Model STOCK listed in black	Features
	<b>Basic Silent fan ZSR100B10A</b> Ø100mm basic silent fan. Remote operation
	<b>Timer Silent fan ZSR100TR11A</b> Ø100mm timer silent fan. Remote operation
	<b>Humidistat Silent fan ZSR100HTR12A</b> Ø100mm humidistat silent fan. Remote operation

Product	Application	Airflow l/s in FREE AIR (BS848 Pt 1)	Sound pressure level @ 3m dB(A)	Energy Consumption (W)	IP Rating	Operation
Ø100mm Basic Silent wall & ceiling fan	W.C. Bathroom	26	26.7	13	IPX4 Zones 1 & 2	single speed
Ø100mm Timer Silent wall & ceiling fan	W.C. Bathroom	26	26.7	16	IPX4 Zones 1 & 2	single speed
Ø100mm Humidistat Silent wall & ceiling fan	Bathroom	26	26.7	16	IPX4 Zones 1 & 2	single speed



**Operating information:**

Ø100mm fan suitable for through wall and ducted ceiling/wall installation.



The speed of the fan is set by the installer according to the size and use of the room, thus avoiding over or under ventilation.

Speed	Room	Installation
1	WC	Through Wall + <3m Ducting
2	Bathroom	<1.5m Ducting
3	WC	Window Kit
4	Bathroom	Through Wall
5	Bathroom	Window Kit
6	Bathroom	<3m Ducting


**Zehnder Adaptive fan with "smart" timer technology and pull cord option.**

The fan length of time of the fan over-run is based on occupancy duration, up to a maximum run-time of 15 minutes, reducing heat loss and energy usage.

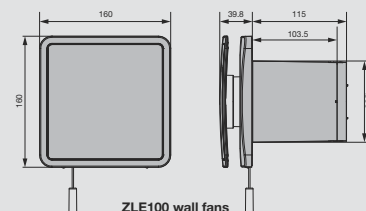
**Zehnder Adaptive fan with "smart" humidistat and timer technology and pull cord option.**

The fan knows the normal humidity level and only activates when spikes occur, providing the right amount of ventilation when required, unlike fans with a generic point that respond to high ambient humidity on a summer's day and particularly in the middle of the night.




All fans suitable for wall or ceiling mounting with discharge through an external wall or soffit, but not the roof. Please see page 46 for diagrams. Not for use with more than 3m of ducting.



Model STOCK listed in black	Features
	<b>Adaptive fan ZLE100TA</b> Ø100mm low energy Adaptive fan with "smart" timer technology and pull cord.
	<b>Adaptive fan ZLE100HTA</b> Ø100mm low energy Adaptive fan with "smart" humidistat and timer technology and pull cord.

Product	Airflow l/s in FREE AIR (BS848 Pt 1)		Sound pressure level @ 3m dB(A)		Energy Consumption (W)		IP Rating	Operation
	Min	Max	Min	Max	Min	Max		
Ø100mm Adaptive wall & ceiling fan	13.6	31	25	45	1.6	8.9	IPX4 Zones 1 & 2	6 speed



**Accessories**

Wall fan accessories		
	<b>ZED1A</b>	Plastic wall inner with integral screw-fixing channels
	<b>ZEG1WA</b>	Fixed blade louvered external wall vent in white
	<b>ZEG1BA</b>	Fixed blade louvered external wall vent in brown
	<b>ZFF100W</b> <b>ZFF100B</b>	Fast fix wall duct system with external grill available in white (W) or brown (B)

Ceiling fan accessories		
	<b>ZGFP4.3A</b>	Flexiduct 3m x Ø100mm (required for ceiling fitting)
	<b>ZGG42WA</b>	100mm External grille with spigot in white
	<b>ZGG42BA</b>	100mm External grille with spigot in brown

## Zehnder Silent Wall & Ceiling Fans $\varnothing$ 100mm



The range of Zehnder Silent fans offer “whisper-quiet” operation – typically a minimum of 70% less noise than standard fans. This range has been developed in response to customers who want high performance ventilation without nuisance noise. 3 year warranty.



## Zehnder Adaptive Wall & Ceiling Fans $\varnothing$ 100mm



The economical low-energy Zehnder Adaptive fan offers the latest in intermittent technology - adaptive extraction - with 6 pre-set speeds to choose from for different installation applications, generating the required extraction rate from the room. 3 year warranty.



**Operating information:**

**Zehnder Silent Timer fan:**

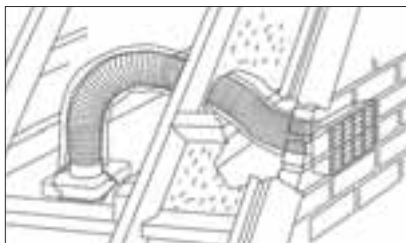
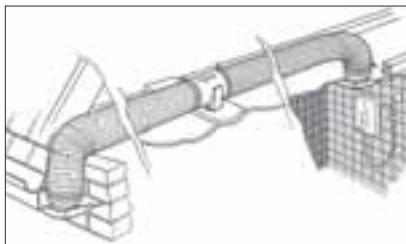
- Single speed, 230v.
- Operation by light switch or remote switch.

**Zehnder Silent Timer ceiling fan with LED light:**

- Single speed, 230v.
- Operation by light switch or remote switch.

Length of ductwork should not exceed the length of the ducting supplied.

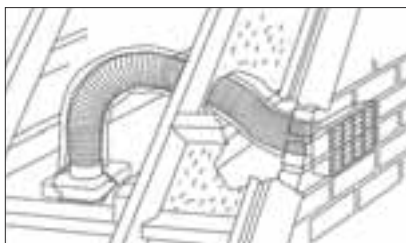
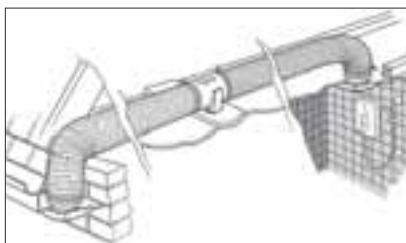
Recommended for discharge through an external wall or soffit, but not the roof.





**Operating information:**

**Zehnder Halo Timer ceiling fan with LED light:**

- Single speed, 230v.
- Operation by light switch or remote switch
- Adjustable over-run timer (2-30mins). factory set at 15 minutes. When wired into room light or remote switch the fan will operate whilst the light is on and, when switched off, will run on over-run timer for the pre-set over-run period.
- Suitable for internal bathrooms, WCs or for installation above showers.




Model STOCK listed in black	Features
<b>100mm fan suitable for ducted ceilings</b>	
 <b>ZSR100TSKA</b>	<b>Zehnder Silent Timer shower kit</b> Kit includes Ø100mm induct fan with adjustable timer, 90° bend, 3 metres of Flexiduct, 4 fixing clips, outlet grille and fixing screws.
 <b>ZSR100ETSKA</b>	<b>Zehnder Silent Timer shower kit &amp; LED light</b> Kit comprising Ø100mm induct fan with adjustable timer, internal grille with SELV (Safety Extra Low Voltage) 12V light unit LV light transformer. 90° bend, 3 metres of Flexiduct, 4 fixing clips, outlet grille and fixing screws, white & chrome bezels.

Product	Application	Airflow I/s in FREE AIR (BS848 Pt 1)	Sound pressure level @ 3m dB(A)	Energy Consumption (W)	IP Rating	Operation
Ø100mm Silent Timer shower kit	Bathroom	31	20	16	IPX4 Zones 1 & 2	single speed
Ø100mm Silent Timer shower kit & light	Bathroom	31	20	fan 16W, 12V lamp rated at 6W	IPX4 Zones 1 & 2	single speed

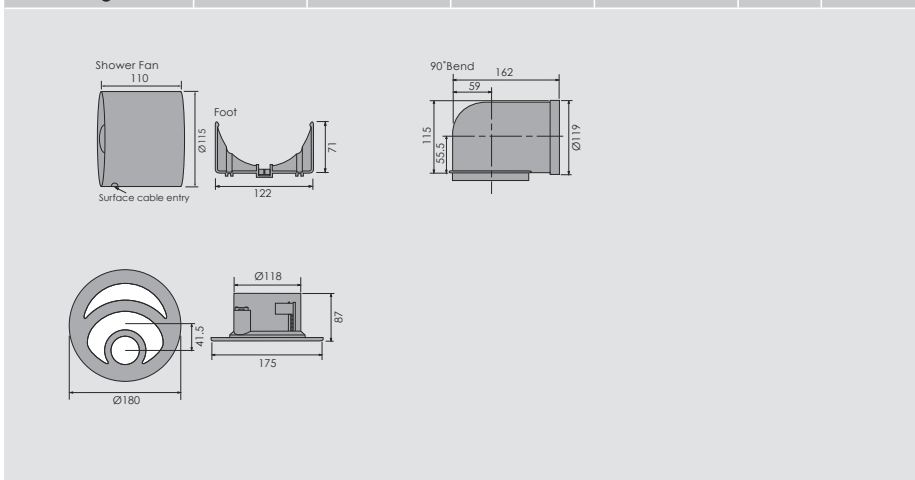


Model STOCK listed in black	Features
-----------------------------	----------

**Ø125mm ceiling fan suitable for ducted ceilings**

 <b>ZHC115ETSKA</b>	<b>Zehnder Halo timer ceiling fan shower kit with LED light</b> Kit comprising 125mm induct fan with adjustable timer, internal grille with SELV (Safety Extra Low Voltage) 12V light unit LV light transformer. 90° bend, 3 metres of Flexiduct, 4 fixing clips, outlet grille and fixing screws, white & chrome bezels.
--	--

Product	Application	Airflow I/s in FREE AIR (BS848 Pt 1)	Sound pressure level @ 3m dB(A)	Energy Consumption (W)	IP Rating	Operation
Ø125mm Silent Timer ceiling fan with light	Bathroom	56	31	fan 20W, 12V lamp rated at 6W	IPX4 Zones 1 & 2	single speed



## Zehnder Silent Shower Fan Kits $\varnothing$ 100mm

Silent fans are 70% quieter than standard axial fans when operating. Supplied as shower kits with or without a LED light in "warm white" (2700K) and with a 3 year warranty.



## Zehnder Halo Designer Shower Fan & Light Kit $\varnothing$ 125mm

Today's luxurious showers and bathrooms call for high performance and high design. The Zehnder Halo is a ceiling extractor fan supplied as a kit with an integrated LED light in "warm white" (2700K) and a 3 year warranty.



# Valves, dual energy and electric products

Well matched valves and accessories enhance the aesthetics of radiators and towel rails, while a dual energy installation in your bathroom guarantees luxury and comfort throughout the year.

### Electrical elements for Dual Energy installations

Simple immersion - no controls IPX5

Model	Watts	
DE Pack 100	100	
DE Pack 150	150	
DE Pack 200	200	
DE Pack 300	300	
DE Pack 400	400	
DE Pack 500	500	
DE Pack 600	600	
DE Pack 700	700	
DE Pack 900	900	

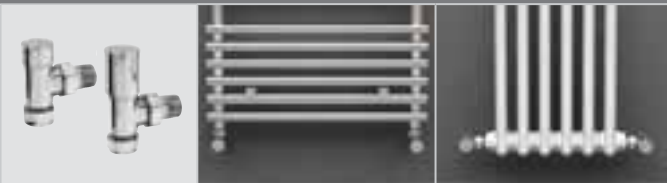
**SHECZ-CR**  
Simple immersion cable cover - chrome finish.



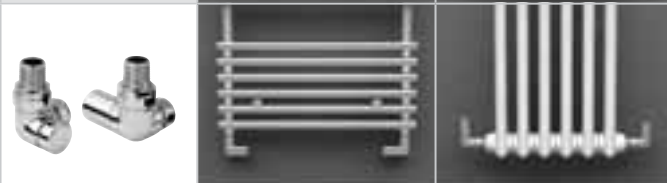
Model	Finish	Watts
CTEW-120-DF	white	120
CTEW-200-DF	white	200
CTEW-300-DF	white	300
CTEW-400-DF	white	400
CTEW-600-DF	white	600
White T-piece included		
CTEC-120-DF	chrome	120
CTEC-200-DF	chrome	200
CTEC-300-DF	chrome	300
CTEC-400-DF	chrome	400
CTEC-600-DF	chrome	600
Chrome T-piece included		

### Valves

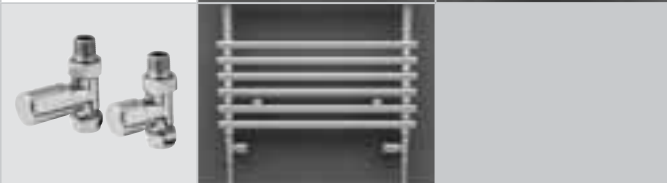
**VAL-SET-1-CR**  
Modern angled radiator valve set chrome plated.



**VAL-SET-2-CR**  
Contemporary double angled radiator valve set chrome plated.



**VAL-SET-3-CR**  
Stylish straight radiator valve set chrome plated.



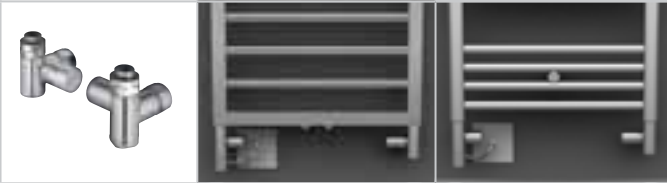
**VAL-SET-4-CR**  
Mixed dual energy radiator valve set chrome plated.



**VAL-SET-8-CR**  
Traditional valve set chrome plated.



**VAL-SET-18-CR**  
Dual fuel right hand flow valve set chrome plated.



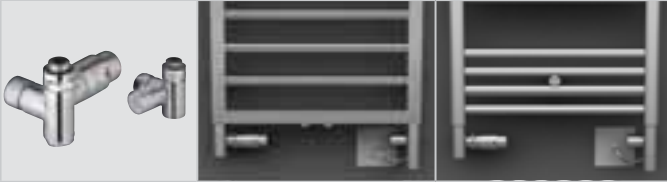
**VAL-SET-19-CR**  
Dual fuel left hand flow valve set chrome plated.



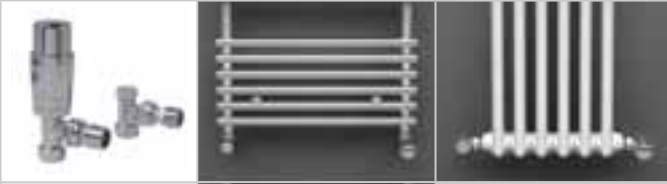
**VAL-SET-20-CR**  
Thermostatic dual fuel right hand flow valve set chrome plated.



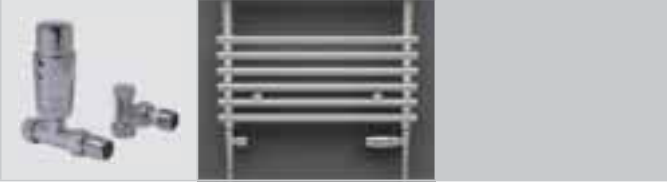
**VAL-SET-21-CR**  
Thermostatic dual fuel left hand flow valve set chrome plated.



**VAL-SET-22-CR**  
Thermostatic angled valve set, chrome plated.



**VAL-SET-23-CR**  
Thermostatic straight valve set, chrome plated.





Zehnder Aura

Stock Models														
Model code	Height mm	Width mm	Finish	Overall Projection mm	Pipe Centres mm		Outputs $\Delta T=50K$		Outputs $\Delta T=30K$		n Exponent	Weight kg	Water Content litres	Max. Immersion Rating
					radiator	from wall	Watts	Btu	Watts	Btu				
PBZ-080-040	775	400	white	95 to 105	356	65 to 75	287	979	152	519	1.23	5.58	3.1	200
PBZ-080-050	775	500	white	95 to 105	456	65 to 75	358	1221	194	662	1.20	5.74	3.6	200
PBZ-080-060	775	600	white	95 to 105	556	65 to 75	418	1426	228	777	1.19	6.2	4.1	300
PBZ-120-050	1217	500	white	95 to 105	456	65 to 75	512	1747	273	932	1.23	7.89	5.2	300
PBZ-120-060	1217	600	white	95 to 105	556	65 to 75	598	2040	319	1089	1.23	8.92	5.9	400
PBZ-150-050	1469	500	white	95 to 105	456	65 to 75	631	2153	335	1143	1.24	9.79	6.5	400
PBZ-150-060	1469	600	white	95 to 105	556	65 to 75	740	2525	395	1347	1.23	11.1	7.4	500/400
PBZ-180-050	1856	500	white	95 to 105	456	65 to 75	788	2689	418	1427	1.24	12.07	8.0	500/400
PBZ-180-060	1856	600	white	95 to 105	556	65 to 75	925	3156	491	1675	1.24	13.67	9.1	600
PBCZ-060-040	607	400	chrome	95 to 105	356	65 to 75	151	515	79	269	1.27	3.60	2.6	100/n/a
PBCZ-080-040	775	400	chrome	95 to 105	356	65 to 75	186	635	96	328	1.27	5.6	3.1	100/n/a
PBCZ-080-050	775	500	chrome	95 to 105	456	65 to 75	230	785	120	408	1.28	5.76	3.6	150/120
PBCZ-080-060	775	600	chrome	95 to 105	556	65 to 75	271	925	143	488	1.25	6.23	4.1	150/120
PBCZ-120-040	1217	400	chrome	95 to 105	356	65 to 75	278	949	142	485	1.28	8.0	4.5	200
PBCZ-120-050	1217	500	chrome	95 to 105	456	65 to 75	330	1126	171	583	1.29	7.92	5.2	200
PBCZ-120-060	1217	600	chrome	95 to 105	556	65 to 75	390	1331	203	692	1.28	8.96	5.9	300
PBCZ-150-040	1469	400	chrome	95 to 105	356	65 to 75	346	1181	177	604	1.29	9.8	5.6	300
PBCZ-150-050	1469	500	chrome	95 to 105	456	65 to 75	407	1389	211	718	1.29	9.83	6.5	300
PBCZ-150-060	1469	600	chrome	95 to 105	556	65 to 75	481	1641	250	853	1.28	11.15	7.4	300
PBCZ-180-040	1856	400	chrome	95 to 105	356	65 to 75	432	1473	221	754	1.30	10.45	7.1	300
PBCZ-180-050	1856	500	chrome	95 to 105	456	65 to 75	513	1750	264	901	1.30	12.12	8.0	300
PBCZ-180-060	1856	600	chrome	95 to 105	556	65 to 75	607	2071	316	1077	1.28	13.72	9.1	400
PBCZ-180-075	1856	750	chrome	95 to 105	706	65 to 75	741	2527	387	1321	1.27	17.20	10.7	500

Max. Working Pressure: 10 bar  
Max. Working Temperature: 120°C

Test House: WSP LAB  
Test House No: 1428

Zehnder Aura Curved

Stock Models														
Model code	Height mm	Width mm	Finish	Overall Projection mm	Pipe Centres mm		Outputs $\Delta T=50K$		Outputs $\Delta T=30K$		n Exponent	Weight kg	Water Content litres	Max. Immersion Rating
					radiator	from wall	Watts	Btu	Watts	Btu				
PBTZ-080-050	775	494	white	115 to 125	450	55 to 65	358	1221	194	662	1.20	5.54	3.6	200
PBTZ-080-060	775	595	white	115 to 125	551	55 to 65	418	1426	228	777	1.19	6.2	4.1	300
PBTZ-120-050	1217	494	white	115 to 125	450	55 to 65	512	1747	273	932	1.23	7.89	5.2	300
PBTZ-120-060	1217	595	white	115 to 125	551	55 to 65	598	2040	319	1089	1.23	8.92	5.9	400
PBTZ-180-050	1856	494	white	115 to 125	450	55 to 65	788	2689	418	1427	1.24	12.07	8.0	500/400
PBTZ-180-060	1856	595	white	115 to 125	551	55 to 65	925	3156	491	1675	1.24	13.67	9.1	600
PBTCZ-080-050	775	595	chrome	115 to 125	450	55 to 65	230	785	125	425	1.20	5.76	3.6	150/120
PBTCZ-080-060	1217	494	chrome	115 to 125	551	55 to 65	271	925	148	503	1.19	6.23	4.1	150/120
PBTCZ-120-050	1217	494	chrome	115 to 125	450	55 to 65	330	1126	176	601	1.23	7.92	5.2	200
PBTCZ-120-060	1217	595	chrome	115 to 125	551	55 to 65	390	1331	208	710	1.23	8.96	5.9	300
PBTCZ-180-050	1856	494	chrome	115 to 125	450	55 to 65	513	1750	272	929	1.24	12.12	8.0	300
PBTCZ-180-060	1856	595	chrome	115 to 125	551	55 to 65	607	2071	322	1099	1.24	13.72	9.1	400

Max. Working Pressure: 10 bar  
Max. Working Temperature: 120°C

Test House: WSP LAB  
Test House No: 1428

Zehnder Zeta

Stock Models														
Model code	Height mm	Width mm	Finish	Overall Projection mm	Pipe Centres mm		Outputs $\Delta T=50K$		Outputs $\Delta T=30K$		n Exponent	Weight kg	Water Content litres	Max. Immersion Rating
					radiator	from wall	Watts	Btu	Watts	Btu				
PQ6-080-050	800	500	white	81	468	65	324	1105	172	587	1.24	6.4	2.2	200
PQ6-120-050	1200	500	white	81	468	65	476	1624	253	863	1.24	10.1	3.7	300
PQ6-160-050	1600	500	white	81	468	65	647	2208	345	1177	1.23	13.3	4.6	400
PQ6-080-050-0346	800	500	anthracite	81	468	65	324	1105	172	587	1.24	6.4	2.2	200
PQ6-120-050-0346	1200	500	anthracite	81	468	65	476	1624	253	863	1.24	10.1	3.7	300
PQ6-160-050-0346	1600	500	anthracite	81	468	65	647	2208	345	1177	1.23	13.3	4.6	400
PQ6C-080-050	800	500	chrome	81	468	65	203	689	107	365	1.26	6.4	2.2	200
PQ6C-080-060	800	600	chrome	81	568	65	235	792	124	423	1.25	7.4	2.6	200
PQ6C-120-050	1200	500	chrome	81	468	65	302	1034	157	536	1.28	10.0	3.7	300
PQ6C-120-060	1200	600	chrome	81	568	65	350	1204	184	628	1.26	11.4	4.4	400
PQ6C-160-050	1600	500	chrome	81	468	65	395	1344	206	703	1.27	13.2	4.6	400
PQ6C-160-060	1600	600	chrome	81	568	65	457	1559	239	815	1.27	15.3	5.5	400

Max. Working Pressure: 4 bar  
Max. Working Temperature: 120°C

Test House: HLK STUTTGART  
Test House No: 0626

## Zehnder Impa

Stock Models														
Model code	Height mm	Width mm	Finish	Overall Projection mm	Pipe Centres mm		Outputs $\Delta T=50K$		Outputs $\Delta T=30K$		n Exponent	Weight kg	Water Content litres	Max. Immersion Rating
					radiator	from wall	Watts	Btu	Watts	Btu				
IMPC-080-050	500	800	chrome	90	460	70-95	214	730	111	379	1.26	7.2	4.2	150/120
IMPC-120-050	500	1180	chrome	90	460	70-95	323	1102	166	567	1.28	11.3	6.5	200/200
IMPC-140-050	500	1400	chrome	90	460	70-95	387	1320	198	675	1.29	12.8	7.4	300/300
IMPC-160-050	500	1600	chrome	90	460	70-95	445	1518	227	773	1.30	14.1	8.3	300/300

Max. Working Pressure: 4 bar      Test House: WSP LAB  
 Max. Working Temperature: 120°C      Test House No: 1428

## Zehnder Muralis

Stock Models														
Model code	Height mm	Width mm	Finish	Overall Projection mm	Pipe Centres mm		Outputs $\Delta T=50K$		Outputs $\Delta T=30K$		n Exponent	Weight kg	Water Content litres	Max. Immersion Rating
					radiator	from wall	Watts	Btu	Watts	Btu				
MUR-080-050-0346	800	500	anthracite	80	470	65-90	306	1044	164	558	1.20	5.6	3.30	200/200
MUR-100-050-0346	1000	500	anthracite	80	470	65-90	384	1310	204	697	1.21	7.0	4.10	200/200
MUR-120-050-0346	1200	500	anthracite	80	470	65-90	461	1573	245	835	1.22	8.4	4.90	300/300
MUR-140-050-0346	1400	500	anthracite	80	470	65-90	537	1832	284	971	1.22	9.6	5.70	300/300
MUR-160-050-0346	1600	500	anthracite	80	470	65-90	612	2088	324	1107	1.22	10.9	6.40	400/400
MURC-080-050	800	500	chrome	80	470	65-90	197	672	103	351	1.25	5.5	3.30	150/120
MURC-100-050	1000	500	chrome	80	470	65-90	249	850	130	442	1.26	7.0	4.10	200/200
MURC-120-050	1200	500	chrome	80	470	65-90	301	1027	156	534	1.26	8.4	4.90	200/200
MURC-140-050	1400	500	chrome	80	470	65-90	346	1181	179	612	1.26	9.6	5.70	200/200
MURC-160-050	1600	500	chrome	80	470	65-90	391	1334	202	690	1.27	10.8	6.40	300/300

Max. Working Pressure: 4 bar      Test House: WSP LAB  
 Max. Working Temperature: 120°C      Test House No: 1428

## Zehnder Klaro

Stock Models														
Model code	Height mm	Width mm	Finish	Overall Projection mm	Pipe Centres mm		Outputs $\Delta T=50K$		Outputs $\Delta T=30K$		n Exponent	Weight kg	Water Content litres	Max. Immersion Rating
					radiator	from wall	Watts	Btu	Watts	Btu				
ZSL-080-045	748	450	white/colour	87 to 102	412	68 to 83	354	1208	187	638	1.25	5.4	3.6	200
ZSL-120-050	1148	500	white/colour	87 to 102	462	68 to 83	571	1948	298	1017	1.27	8.7	5.8	400
ZSL-120-060	1148	600	white/colour	87 to 102	562	68 to 83	670	2286	352	1201	1.26	9.8	6.6	500/400
ZSL-150-050	1466	500	white/colour	87 to 102	462	68 to 83	716	2443	372	1269	1.28	10.9	7.4	500/400
ZSL-150-060	1466	600	white/colour	87 to 102	562	68 to 83	839	2863	436	1488	1.28	12.3	8.5	500/400
ZSL-170-050	1708	500	white/colour	87 to 102	462	68 to 83	824	2811	424	1447	1.30	12.2	8.5	500/400
ZSL-170-060	1708	600	white/colour	87 to 102	562	68 to 83	966	3296	502	1713	1.28	14.2	9.6	600

Max. Working Pressure: 4 bar      Test House: HLK STUTTGART  
 Max. Working Temperature: 110°C      Test House No: 0626

## Zehnder Fuji

Stock Models														
Model code	Height mm	Width mm	Finish	Overall Projection mm	Pipe Centres mm		Outputs $\Delta T=50K$		Outputs $\Delta T=30K$		n Exponent	Weight kg	Water Content litres	Max. Immersion Rating
					radiator	from wall	Watts	Btu	Watts	Btu				
PQ2C-090-050	900	500	chrome	101	100	79	195	665	101	345	1.29	5.8	3.3	n/a

Max. Working Pressure: 10 bar      Test House: HLK STUTTGART  
 Max. Working Temperature: 120°C      Test House No: 0626

## Zehnder Fuego

Stock Models														
Model code	Height mm	Width mm	Finish	Overall Projection mm	Pipe Centres mm		Outputs $\Delta T=50K$		Outputs $\Delta T=30K$		n Exponent	Weight kg	Water Content litres	Max. Immersion Rating
					radiator	from wall	Watts	Btu	Watts	Btu				
PQ1C-090-050	900	500	chrome	173	300	65	379	1293	202	689	1.23	8.2	3.3	300
PQ1C-120-050	1200	500	chrome	173	300	65	487	1662	258	880	1.24	10.7	4.3	300

Max. Working Pressure: 10 bar      Test House: HLK STUTTGART  
 Max. Working Temperature: 120°C      Test House No: 0626

## Zehnder Stellar Spa

Stock Models														
Model code	Height mm	Width mm	Finish	Overall Projection mm	Pipe Centres mm		Outputs $\Delta T=50K$		Outputs $\Delta T=30K$		n Exponent	Weight kg	Water Content litres	Max. Immersion Rating
					radiator	from wall	Watts	Btu	Watts	Btu				
STGI-060-045	572	450	polished	90 to 100	420	75 to 85	161	549	84	287	1.27	3.1	1.8	100
STGI-060-100	572	1000	polished	90 to 100	970	75 to 85	272	928	144	491	1.24	5.3	3.0	150/120
STGI-080-030	788	300	polished	90 to 100	270	75 to 85	171	583	89	304	1.28	3.4	2.0	100
STGI-080-045	788	450	polished	90 to 100	420	75 to 85	220	751	115	392	1.27	4.2	3.0	100
STGI-080-060	788	600	polished	90 to 100	570	75 to 85	243	829	128	435	1.26	5.0	3.2	150/120
STGI-120-030	1220	300	polished	90 to 100	270	75 to 85	240	819	125	427	1.28	5.2	3.1	150/120
STGI-120-045	1220	450	polished	90 to 100	420	75 to 85	309	1054	161	549	1.28	6.5	3.9	150/120
STGI-120-060	1220	600	polished	90 to 100	570	75 to 85	379	1293	197	672	1.28	7.7	4.6	200
STGI-150-045	1508	450	polished	90 to 100	420	75 to 85	361	1232	187	639	1.28	7.8	4.7	300
STGI-150-060	1508	600	polished	90 to 100	570	75 to 85	448	1529	233	795	1.28	9.3	5.6	300
STGI-170-045	1724	450	polished	90 to 100	420	75 to 85	434	1481	226	771	1.28	9.4	5.3	200
STGI-170-060	1724	600	polished	90 to 100	570	75 to 85	517	1764	270	921	1.27	11.2	6.5	300
STGI-060-045-CF	572	450	painted	90 to 100	420	75 to 85	219	747	117	401	1.23	3.1	1.8	100/n/a
STGI-060-100-CF	572	1000	painted	90 to 100	970	75 to 85	394	1344	211	721	1.23	5.3	3.0	150/120
STGI-080-030-CF	788	300	painted	90 to 100	270	75 to 85	218	744	117	399	1.23	3.4	2.0	100/n/a
STGI-080-045-CF	788	450	painted	90 to 100	420	75 to 85	294	1003	158	538	1.23	4.2	3.0	100/n/a
STGI-080-060-CF	788	600	painted	90 to 100	570	75 to 85	363	1239	194	661	1.23	5.0	3.2	150/120
STGI-120-030-CF	1220	300	painted	90 to 100	270	75 to 85	332	1133	177	604	1.23	5.2	3.1	150/120
STGI-120-045-CF	1220	450	painted	90 to 100	420	75 to 85	448	1529	239	815	1.24	6.5	3.9	150/120
STGI-120-060-CF	1220	600	painted	90 to 100	570	75 to 85	554	1890	294	1003	1.24	7.7	4.6	200
STGI-150-045-CF	1508	450	painted	90 to 100	420	75 to 85	556	1897	297	1012	1.24	7.8	4.7	300
STGI-150-060-CF	1508	600	painted	90 to 100	570	75 to 85	687	2344	367	1251	1.24	9.3	5.6	300
STGI-170-045-CF	1724	450	painted	90 to 100	420	75 to 85	640	2184	343	1171	1.23	9.4	5.3	200
STGI-170-060-CF	1724	600	painted	90 to 100	570	75 to 85	791	2699	422	1440	1.23	11.2	6.5	300

Max. Working Pressure: 10 bar      Test House: HLK STUTTGART  
 Max. Working Temperature: 120°C      Test House No: 0626

## Zehnder Stellar

Stock Models														
Model code	Height mm	Width mm	Finish	Overall Projection mm	Pipe Centres mm		Outputs $\Delta T=50K$		Outputs $\Delta T=30K$		n Exponent	Weight kg	Water Content litres	Max. Immersion Rating
					radiator	from wall	Watts	Btu	Watts	Btu				
STNI-060-045	572	450	polished	90 to 100	420	75 to 85	159	541	84	287	1.24	3.3	2.0	100/n/a
STNI-060-100	572	1000	polished	90 to 100	970	75 to 85	284	970	152	519	1.22	5.8	3.6	200
STNI-080-030	788	300	polished	90 to 100	270	75 to 85	159	541	85	290	1.23	3.6	2.2	100/n/a
STNI-080-045	788	450	polished	90 to 100	420	75 to 85	206	702	109	372	1.24	4.5	2.8	150/120
STNI-080-060	788	600	polished	90 to 100	570	75 to 85	253	863	135	459	1.23	5.4	3.4	150/120
STNI-120-030	1220	300	polished	90 to 100	270	75 to 85	242	826	129	440	1.23	5.5	3.5	150/120
STNI-120-045	1220	450	polished	90 to 100	420	75 to 85	316	1078	166	567	1.26	6.9	4.3	150/120
STNI-120-060	1220	600	polished	90 to 100	570	75 to 85	391	1334	208	710	1.24	8.4	5.2	200
STNI-150-045	1508	450	polished	90 to 100	420	75 to 85	389	1327	206	703	1.24	8.5	5.1	300
STNI-150-060	1508	600	polished	90 to 100	570	75 to 85	491	1675	258	882	1.26	10.2	6.2	300
STNI-170-045	1724	450	polished	90 to 100	420	75 to 85	452	1542	241	822	1.23	10.0	6.1	300
STNI-170-060	1724	600	polished	90 to 100	570	75 to 85	545	1860	288	983	1.25	12.0	7.2	400
STNI-060-045-CF	572	450	painted	90 to 100	420	75 to 85	233	795	125	426	1.22	3.3	2.0	100/n/a
STNI-060-100-CF	572	1000	painted	90 to 100	970	75 to 85	430	1467	231	787	1.23	5.8	3.6	200
STNI-080-030-CF	788	300	painted	90 to 100	270	75 to 85	232	792	124	424	1.23	3.6	2.2	100/n/a
STNI-080-045-CF	788	450	painted	90 to 100	420	75 to 85	317	1082	170	580	1.22	4.5	2.8	150/120
STNI-080-060-CF	788	600	painted	90 to 100	570	75 to 85	395	1348	212	723	1.22	5.4	3.4	150/120
STNI-120-030-CF	1220	300	painted	90 to 100	270	75 to 85	353	1204	188	643	1.23	5.5	3.5	150/120
STNI-120-045-CF	1220	450	painted	90 to 100	420	75 to 85	482	1645	258	882	1.23	6.9	4.3	150/120
STNI-120-060-CF	1220	600	painted	90 to 100	570	75 to 85	600	2047	322	1098	1.22	8.4	5.2	200
STNI-150-045-CF	1508	450	painted	90 to 100	420	75 to 85	591	2016	315	1076	1.23	8.5	5.1	300
STNI-150-060-CF	1508	600	painted	90 to 100	570	75 to 85	736	2511	393	1340	1.23	10.2	6.2	300
STNI-170-045-CF	1724	450	painted	90 to 100	420	75 to 85	672	2293	359	1223	1.23	10.0	6.1	300
STNI-170-060-CF	1724	600	painted	90 to 100	570	75 to 85	838	2859	449	1533	1.23	12.0	7.2	400

Max. Working Pressure: 10 bar      Test House: HLK STUTTGART  
 Max. Working Temperature: 120°C      Test House No: 0626

Zehnder Charleston

Stock Models													
Model code	Height mm	Width mm	Finish	Overall Projection mm	Pipe Centres mm		Outputs ΔT=50K		Outputs ΔT=30K		n Exponent	Weight kg	Water Content litres
					radiator	from wall	Watts	Btu	Watts	Btu			
Vertical													
2180-6	1800	306	white/colour	90	length plus valves*	59	744	2539	381	1300	1.31	16.4	9.0
2180-8	1800	398	white/colour	90	length plus valves*	59	992	3385	508	1733	1.31	21.9	12.0
2180-10	1800	490	white/colour	90	length plus valves*	59	1240	4231	635	2167	1.31	27.3	15.0
2180-12	1800	582	white/colour	90	length plus valves*	59	1488	5077	762	2600	1.31	32.8	18.0
3180-6	1800	306	white/colour	128	length plus valves*	78	996	3398	510	1740	1.31	24.6	14.0
3180-8	1800	398	white/colour	128	length plus valves*	78	1328	4531	680	2320	1.31	32.8	19.0
3180-10	1800	490	white/colour	128	length plus valves*	78	1660	5664	850	2900	1.31	41.0	24.0
Horizontal													
2050-10	500	490	white/colour	90	length plus valves*	59	384	1310	203	693	1.25	7.9	5.0
2180-14	500	674	white/colour	90	length plus valves*	59	538	1836	284	969	1.25	11.0	7.0
2050-18	500	858	white/colour	90	length plus valves*	59	691	2358	365	1245	1.25	14.2	9.0
2050-22	500	1042	white/colour	90	length plus valves*	59	845	2883	446	1522	1.25	17.4	11.0
2050-26	500	1226	white/colour	90	length plus valves*	59	998	3405	527	1798	1.25	20.5	13.0
2060-10	600	490	white/colour	90	length plus valves*	59	453	1546	239	815	1.25	9.5	6.0
2060-14	600	674	white/colour	90	length plus valves*	59	634	2163	335	1143	1.25	13.3	8.4
2060-18	600	858	white/colour	90	length plus valves*	59	815	2781	430	1467	1.25	17.1	10.8
2060-22	600	1042	white/colour	90	length plus valves*	59	997	3402	527	1798	1.25	20.9	13.2
2060-24	600	1134	white/colour	90	length plus valves*	59	1080	3685	570	1945	1.25	22.8	14.4
2060-28	600	1318	white/colour	90	length plus valves*	59	1260	4299	665	2269	1.25	26.6	16.8
3050-14	500	674	white/colour	128	length plus valves*	78	722	2463	381	1300	1.25	16.6	11.2
3050-18	500	858	white/colour	128	length plus valves*	78	929	3170	491	1675	1.25	21.4	14.4
3050-22	500	1042	white/colour	128	length plus valves*	78	1135	3873	599	2044	1.25	26.2	17.6
3050-26	500	1226	white/colour	128	length plus valves*	78	1342	4579	709	2419	1.25	30.9	20.8
3050-30	500	1410	white/colour	128	length plus valves*	78	1548	5282	817	2788	1.25	35.7	24.0
3060-10	600	490	white/colour	128	length plus valves*	78	609	2078	320	1092	1.26	13.9	9.0
3060-14	600	674	white/colour	128	length plus valves*	78	853	2910	448	1529	1.26	19.4	12.6
3060-18	600	858	white/colour	128	length plus valves*	78	1096	3740	576	1965	1.26	24.9	16.2
3060-20	600	950	white/colour	128	length plus valves*	78	1220	4163	641	2187	1.26	27.7	18.0
3060-24	600	1134	white/colour	128	length plus valves*	78	1464	4995	769	2624	1.26	33.2	21.6
3060-27	600	1272	white/colour	128	length plus valves*	78	1645	5613	864	2948	1.26	37.3	24.3
3060-30	600	1410	white/colour	128	length plus valves*	78	1827	6234	960	3276	1.26	41.6	27.0
3060-34	600	1594	white/colour	128	length plus valves*	78	2071	7066	1088	3712	1.26	47.0	30.6
3075-14	750	674	white/colour	128	length plus valves*	78	1040	3548	546	1863	1.26	24.3	15.4
3075-22	750	1042	white/colour	128	length plus valves*	78	1635	5579	859	2931	1.26	38.2	24.2
3075-26	750	1226	white/colour	128	length plus valves*	78	1932	6592	1015	3463	1.26	45.1	28.6
4030-20	300	950	white/colour	164	length plus valves*	96	840	2866	444	1515	1.25	21.3	14.0
4030-30	300	1410	white/colour	164	length plus valves*	96	1260	4299	665	2269	1.25	32.0	21.0
4060-14	600	674	white/colour	164	length plus valves*	96	1117	3811	584	1993	1.27	27.3	16.8
4060-18	600	858	white/colour	164	length plus valves*	96	1436	4900	751	2562	1.27	35.1	21.6
4060-20	600	950	white/colour	164	length plus valves*	96	1600	5459	836	2852	1.27	39.0	24.0
4060-24	600	1134	white/colour	164	length plus valves*	96	1920	6551	1004	3426	1.27	46.8	28.8
4075-14	750	674	white/colour	164	length plus valves*	96	1364	4654	713	2433	1.27	33.6	19.6
4075-18	750	858	white/colour	164	length plus valves*	96	1753	5981	916	3125	1.27	43.2	25.2
4075-22	750	1042	white/colour	164	length plus valves*	96	2143	7312	1120	3821	1.27	52.8	30.8
4075-26	750	1226	white/colour	164	length plus valves*	96	2532	8639	1323	4514	1.27	62.5	36.4

\*Nominal overall radiator length = (Number of sections x 46mm) + 26mm. Please see page 28 for manufacturing tolerances.

Max. Working Pressure: 10 bar Test House: WSP-LAB  
 Max. Working Temperature: 110°C Test House No: 2005

Zehnder Stratos

Stock Models													
Model code	Height mm	Width mm	Finish	Overall Projection mm	Pipe Centres mm		Outputs ΔT=50K		Outputs ΔT=30K		n Exponent	Weight kg	Water Content litres
					radiator	from wall	Watts	Btu	Watts	Btu			
With factory-fitted grille, standard white (RAL 9010)													
CS1G-015-100	153	1000	white/colour	98	1000*	79	755	2578	379	1293	1.35	12.3	3.0
CS1G-015-120	153	1200	white/colour	98	1200*	79	906	3092	455	1551	1.35	14.8	3.6
CS1G-015-140	153	1400	white/colour	98	1400*	79	1057	3607	530	1810	1.35	17.2	4.2
CS1G-015-150	153	1500	white/colour	98	1500*	79	1134	3868	569	1941	1.35	18.5	4.5
CS1G-015-160	153	1600	white/colour	98	1600*	79	1209	4125	607	2070	1.35	19.7	4.8
CS1G-015-200	153	2000	white/colour	98	2000*	79	1511	5155	758	2587	1.35	24.6	6.0
CS2G-015-100	153	1000	white/colour	186	1000*	167 flow, 79 return	1331	4542	671	2290	1.34	21.3	4.8
CS2G-015-120	153	1200	white/colour	186	1200*	167 flow, 79 return	1598	5451	806	2750	1.34	25.6	5.8
CS2G-015-140	153	1400	white/colour	186	1400*	167 flow, 79 return	1864	6360	940	3208	1.34	29.8	6.7
CS2G-015-150	153	1500	white/colour	186	1500*	167 flow, 79 return	1997	6813	1007	3436	1.34	32.0	7.2
CS2G-015-160	153	1600	white/colour	186	1600*	167 flow, 79 return	2130	7266	1074	3665	1.34	34.1	7.7
CS2G-015-200	153	2000	white/colour	186	2000*	167 flow, 79 return	2663	9085	1343	4583	1.34	42.6	9.6

\*plus valves

Max. Working Pressure: 4.5 bar Test House: CETIAT  
 Max. Working Temperature: 120°C Test House No: 0626

Zehnder Charleston

Made to Measure Options												
Model code	Height mm	Finish	Overall Projection mm	Pipe Centres mm		Outputs ΔT=50K		Outputs ΔT=30K		n Exponent	Weight kg	Water Content litres
				radiator	from wall	Watts	Btu	Watts	Btu			
2 column												
2030	292	white/colour	90	length + valves*	59	23.6	80.52	12.5	42.65	1.24	0.5	0.4
2040	392	white/colour	90	length + valves*	59	31.2	106.45	16.6	56.64	1.24	0.6	0.4
2045	442	white/colour	90	length + valves*	59	34.9	119.08	18.5	63.12	1.24	0.7	0.5
2050	492	white/colour	90	length + valves*	59	38.4	131.02	20.3	69.26	1.25	0.8	0.5
2055	542	white/colour	90	length + valves*	59	41.9	142.96	22.1	75.41	1.25	0.9	0.6
2060	592	white/colour	90	length + valves*	59	45.3	154.56	23.9	81.55	1.25	1.0	0.6
2075	742	white/colour	90	length + valves*	59	55	187.66	29	98.95	1.25	1.2	0.7
2090	892	white/colour	90	length + valves*	59	63.9	218.03	33.7	114.98	1.25	1.4	0.8
2100	992	white/colour	90	length + valves*	59	69.5	237.13	36.7	125.22	1.25	1.6	0.9
2120	1192	white/colour	90	length + valves*	59	82.7	282.17	43.5	148.42	1.26	1.9	1.1
2150	1492	white/colour	90	length + valves*	59	104	354.85	54.1	184.59	1.28	2.3	1.3
2180	1792	white/colour	90	length + valves*	59	124	423.09	63.5	216.66	1.31	2.7	1.5
2200	1992	white/colour	90	length + valves*	59	138	470.86	70.7	241.23	1.31	3.0	1.7
3 column												
3030	300	white/colour	128	length + valves*	78	32	109.18	16.9	57.66	1.25	0.7	0.6
3035	350	white/colour	128	length + valves*	78	37	126.24	19.5	66.53	1.25	0.9	0.6
3040	400	white/colour	128	length + valves*	78	41.9	142.96	22.1	75.41	1.25	1.0	0.7
3045	450	white/colour	128	length + valves*	78	46.8	159.68	24.7	84.28	1.25	1.1	0.7
3050	500	white/colour	128	length + valves*	78	51.6	176.06	27.2	92.81	1.25	1.2	0.8
3055	550	white/colour	128	length + valves*	78	56.3	192.10	29.6	101.00	1.26	1.3	0.9
3060	600	white/colour	128	length + valves*	78	60.9	207.79	32	109.18	1.26	1.4	0.9
3075	750	white/colour	128	length + valves*	78	74.3	253.51	39	133.07	1.26	1.7	1.1
3090	900	white/colour	128	length + valves*	78	87	296.84	45.5	155.25	1.27	2.1	1.3
3100	1000	white/colour	128	length + valves*	78	95.1	324.48	49.7	169.58	1.27	2.3	1.4
3120	1200	white/colour	128	length + valves*	78	115	392.38	59.5	203.01	1.29	2.8	1.6
3150	1500	white/colour	128	length + valves*	78	140	477.68	71.7	244.64	1.31	3.4	2.0
3180	1800	white/colour	128	length + valves*	78	166	566.39	84.1	286.95	1.33	4.1	2.4
3200	2000	white/colour	128	length + valves*	78	183	624.40	92.8	316.63	1.33	4.5	2.6
4 column												
4030	300	white/colour	164	length + valves*	96	41.9	142.96	22.1	75.41	1.25	1.0	0.7
4035	350	white/colour	164	length + valves*	96	48.5	165.48	25.6	87.35	1.25	1.2	0.8
4040	400	white/colour	164	length + valves*	96	54.9	187.32	28.8	98.27	1.26	1.4	0.9
4045	450	white/colour	164	length + valves*	96	61.3	209.16	32.2	109.87	1.26	1.5	1.0
4050	500	white/colour	164	length + valves*	96	67.6	230.65	35.5	121.13	1.26	1.7	1.0
4055	550	white/colour	164	length + valves*	96	73.7	251.46	38.7	132.04	1.26	1.9	1.1
4060	600	white/colour	164	length + valves*	96	79.8	272.28	41.7	142.28	1.27	2.0	1.2
4075	750	white/colour	164	length + valves*	96	97.4	332.33	50.9	173.67	1.27	2.5	1.4
4090	900	white/colour	164	length + valves*	96	114	388.97	59.3	202.33	1.28	2.9	1.7
4100	1000	white/colour	164	length + valves*	96	125	426.50	64.7	220.76	1.29	3.2	1.8
4120	1200	white/colour	164	length + valves*	96	147	501.56	75.7	258.29	1.30	3.7	2.1
4150	1500	white/colour	164	length + valves*	96	180	614.16	92.2	314.59	1.31	4.4	2.6
4180	1800	white/colour	164	length + valves*	96	213	726.76	108	368.50	1.33	5.2	3.1
4200	2000	white/colour	164	length + valves*	96	234	798.41	119.2	406.71	1.32	5.8	3.4
5 column												
5030	300	white/colour	202	length + valves*	115	51.7	176.40	27.3	93.15	1.25	1.3	0.9
5040	400	white/colour	202	length + valves*	115	67.9	231.67	35.7	121.81	1.26	1.7	1.1
5045	450	white/colour	202	length + valves*	115	75.8	258.63	39.8	135.80	1.26	1.9	1.2
5050	500	white/colour	202	length + valves*	115	83.5	284.90	43.6	148.76	1.27	2.1	1.3
5055	550	white/colour	202	length + valves*	115	91.1	310.83	47.6	162.41	1.27	2.3	1.4
5060	600	white/colour	202	length + valves*	115	98.6	336.42	51.5	175.72	1.27	2.5	1.5
5075	750	white/colour	202	length + valves*	115	120	409.44	62.1	211.89	1.29	3.1	1.8
5090	900	white/colour	202	length + valves*	115	141	481.09	72.6	247.71	1.30	3.6	2.1
5100	1000	white/colour	202	length + valves*	115	154	525.45	79.3	270.57	1.30	3.9	2.3
5120	1200	white/colour	202	length + valves*	115	179	610.75	91.7	312.88	1.31	4.6	2.7
5150	1500	white/colour	202	length + valves*	115	219	747.23	111.6	380.78	1.32	5.6	3.3
6 column												
6030	300	white/colour	238	length + valves*	115	61.3	209.16	32.2	109.87	1.26	1.6	1.1
6035	350	white/colour	238	length + valves*	115	71	242.25	37.3	127.27	1.26	1.8	1.2
6040	400	white/colour	238	length + valves*	115	80.5	274.67	42.1	143.65	1.27	2.0	1.3
6045	450	white/colour	238	length + valves*	115	89.8	306.40	46.9	160.02	1.27	2.2	1.4
6050	500	white/colour	238	length + valves*	115	99	337.79	51.5	175.72	1.28	2.4	1.5
6055	550	white/colour	238	length + valves*	115	108	368.50	56.2	191.75	1.28	2.7	1.6
6060	600	white/colour	238	length + valves*	115	117	399.20	60.5	206.43	1.29	2.9	1.8
6075	750	white/colour	238	length + valves*	115	143	487.92	73.6	251.12	1.30	3.5	2.1
6090	900	white/colour	238	length + valves*	115	167	569.80	85.5	291.73	1.31	4.2	2.5
6100	1000	white/colour	238	length + valves*	115	183	624.40	93.7	319.70	1.31	4.6	2.7
6120	1200	white/colour	238	length + valves*	115	210	716.52	107	365.08	1.32	5.5	3.2
6150	1500	white/colour	238	length + valves*	115	256	873.47	130.4	444.92	1.32	6.8	4.0

\*Nominal overall radiator length = (Number of sections x 46mm) + 26mm. Please see page 28 for manufacturing tolerances.

Vertical entry = overall length minus 72mm

Max. Working Pressure: 4 bar      Test House: WSP-LAB  
 Max. Working Temperature: 110°C      Test House No: 1428

## Zehnder Lyta-S

Stock Models													
Model code	Height mm	Width mm	Finish	Overall Projection mm	Pipe Centres mm		Outputs $\Delta T=50K$		Outputs $\Delta T=30K$		n Exponent	Weight kg	Water Content litres
					radiator	from wall	Watts	Btu	Watts	Btu			
LYSV-Z-040-048	395	480	white*	130	504 plus valves	82	546	1863	283	964	1.29	6.6	1.44
LYSV-Z-040-064	395	640	white*	130	664 plus valves	82	728	2484	377	1286	1.29	8.8	1.92
LYSV-Z-040-080	395	800	white*	130	824 plus valves	82	910	3105	471	1607	1.29	11.0	2.40
LYSV-Z-040-096	395	960	white*	130	984 plus valves	82	1092	3726	565	1929	1.29	13.2	2.88
LYSV-Z-040-112	395	1120	white*	130	1144 plus valves	82	1274	4347	659	2250	1.29	15.4	3.36
LYSV-Z-055-048	545	480	white*	130	504 plus valves	82	737	2516	381	1302	1.29	8.4	1.5
LYSV-Z-055-064	545	640	white*	130	664 plus valves	82	983	3355	509	1736	1.29	11.2	2.0
LYSV-Z-055-080	545	800	white*	130	824 plus valves	82	1229	4193	636	2170	1.29	14.0	2.5
LYSV-Z-055-096	545	960	white*	130	984 plus valves	82	1475	5032	763	2604	1.29	16.8	3.0
LYSV-Z-055-112	545	1120	white*	130	1144 plus valves	82	1721	5871	890	3038	1.29	19.6	3.5
LYSV-Z-065-048	645	480	white*	130	504 plus valves	82	848	2895	435	1486	1.30	9.6	1.8
LYSV-Z-065-064	645	640	white*	130	664 plus valves	82	1131	3860	581	1982	1.30	12.8	2.4
LYSV-Z-065-080	645	800	white*	130	824 plus valves	82	1414	4824	726	2477	1.30	16.0	3.0
LYSV-Z-065-096	645	960	white*	130	984 plus valves	82	1697	5789	871	2973	1.30	19.2	3.6
LYSV-Z-065-112	645	1120	white*	130	1144 plus valves	82	1980	6754	1016	3468	1.30	22.4	4.2

\*white (RAL 9010)

Max. Working Pressure: 24 bar  
Max. Working Temperature: 120°C

Test House: Laboratorio Misure Ricerche Termotecniche  
Test House No: 1695

## Zehnder Lyta-T

Stock Models													
Model code	Height mm	Width mm	Finish	Overall Projection mm	Pipe Centres mm		Outputs $\Delta T=50K$		Outputs $\Delta T=30K$		n Exponent	Weight kg	Water Content litres
					radiator	from wall	Watts	Btu	Watts	Btu			
LYTV-Z-097-032	966	320	white*	110 to 140	344 plus valves	82	728	2484	362	1234	1.37	7.8	1.7
LYTV-Z-097-048	966	480	white*	110 to 140	504 plus valves	82	1092	3726	542	1851	1.37	11.8	2.6
LYTV-Z-147-032	1466	320	white*	110 to 140	344 plus valves	82	1000	3412	499	1703	1.39	11.2	2.5
LYTV-Z-147-048	1466	480	white*	110 to 140	504 plus valves	82	1500	5118	749	2555	1.39	16.8	3.7
LYTV-Z-187-024	1866	240	white*	110 to 140	264 plus valves	82	900	3071	442	1510	1.39	10.2	2.3
LYTV-Z-187-032	1866	320	white*	110 to 140	344 plus valves	82	1200	4094	590	2013	1.39	13.6	3.1
LYTV-Z-187-040	1866	400	white*	110 to 140	424 plus valves	82	1500	5118	737	2516	1.39	17.0	3.9
LYTV-Z-187-048	1866	480	white*	110 to 140	504 plus valves	82	1800	6142	885	3019	1.39	20.4	4.7

\*white (RAL 9010)

Max. Working Pressure: 6 bar  
Max. Working Temperature: 120°C

Test House: Laboratorio Misure Ricerche Termotecniche  
Test House No: 1695

## Zehnder Kleo

Stock Models													
Model code	Height mm	Width mm	Finish	Overall Projection mm	Pipe Centres mm		Outputs $\Delta T=50K$		Outputs $\Delta T=30K$		n Exponent	Weight kg	Water Content litres
					radiator	from wall	Watts	Btu	Watts	Btu			
Vertical													
KLV-180-030	1800	299	white/colour	74	248	38	632	2156	329	1123	1.28	10.8	4.5
KLV-180-040	1800	398	white/colour	74	347	38	842	2874	438	1494	1.28	14.4	6.1
KLV-180-050	1800	497	white/colour	74	446	38	1053	3593	548	1870	1.28	18.0	7.5
KLV-180-060	1800	596	white/colour	74	545	38	1264	4313	647	2209	1.28	21.6	9.0
KLVC-180-030	1800	299	chrome	74	248	38	448	1529	225	768	1.35	10.8	4.5
KLVC-180-040	1800	398	chrome	74	347	38	598	2040	300	1024	1.35	14.4	6.1
KLVC-180-050	1800	497	chrome	74	446	38	747	2549	375	1280	1.35	18.0	7.5
KLVC-180-060	1800	596	chrome	74	545	38	896	3057	450	1535	1.35	21.6	9.0
Horizontal													
KLH-058-100	596	1000	white/colour	74	962	38	782	2668	413	1409	1.25	12.7	5.5
KLH-058-120	596	1200	white/colour	74	1162	38	938	3201	495	1689	1.25	14.9	6.6
KLH-058-140	596	1400	white/colour	74	1362	38	1095	3736	578	1972	1.25	17.1	7.7
KLHD-058-100	596	1000	white/colour	106	962	38	1211	4134	636	2170	1.26	22.6	12.5
KLHD-058-120	596	1200	white/colour	106	1162	38	1453	4961	763	2603	1.26	27.1	15.0
KLHD-058-140	596	1400	white/colour	106	1362	38	1695	5787	891	3040	1.26	31.6	17.5

Max. Working Pressure: 4 bar  
Max. Working Temperature: 110°C

Test House: CETIAT  
Test House No: 1623

## Zehnder Nova

Stock Models													
Model code	Height mm	Width mm	Finish	Overall Projection mm	Pipe Centres mm radiator	mm from wall	Outputs $\Delta T=50K$		Outputs $\Delta T=30K$		n Exponent	Weight kg	Water Content litres
							Watts	Btu	Watts	Btu			
Horizontal													
NH-056-080	567	800	white/colour	70	812 + valves	44	477	1626	252	860	1.25	12.8	2.8
NH-056-100	567	1000	white/colour	70	1012 + valves	44	596	2032	315	1075	1.25	16.0	3.5
NH-056-120	567	1200	white/colour	70	1212 + valves	44	715	2438	378	1290	1.25	19.1	4.3
NH-056-140	567	1400	white/colour	70	1412 + valves	44	834	2843	440	1501	1.25	22.3	4.9
NHL-049/049-100	496	1000	white/colour	69	1012 + valves	44	917	3130	477	1628	1.28	24.5	3.1
NHL-049/049-120	496	1200	white/colour	69	1212 + valves	44	1100	3754	572	1952	1.28	29.4	3.7
NHL-056/056-060	567	600	white/colour	69	612 + valves	44	614	2095	318	1085	1.29	16.8	2.1
NHL-056/056-080	567	800	white/colour	69	812 + valves	44	819	2795	424	1447	1.29	22.5	2.8
NHL-056/056-100	567	1000	white/colour	69	1012 + valves	44	1024	3494	530	1808	1.29	28.1	3.5
NHL-056/056-120	567	1200	white/colour	69	1212 + valves	44	1229	4193	636	2170	1.29	33.7	4.3
NHL-056/056-140	567	1400	white/colour	69	1412 + valves	44	1434	4889	742	2532	1.29	39.3	5.0
NHL-056/056-160	567	1600	white/colour	69	1612 + valves	44	1638	5586	848	2892	1.29	44.9	5.7
Vertical													
NV-180-028	1800	283	white/colour	70	283 + valves	44	520	1774	266	908	1.31	13.2	2.8
NV-180-035	1800	354	white/colour	70	354 + valves	44	650	2217	333	1136	1.31	18.2	3.6
NV-180-042	1800	425	white/colour	70	425 + valves	44	780	2661	399	1361	1.31	19.9	4.3
NV-180-049	1800	496	white/colour	70	496 + valves	44	910	3103	466	1590	1.31	23.2	5.0
NV-180-056	1800	567	white/colour	70	567 + valves	44	1040	3548	533	1819	1.31	26.5	5.7
NVL-180-028	1800	283	white/colour	70	283 + valves	44	676	2305	343	1170	1.33	20.2	2.8
NVL-180-042	1800	425	white/colour	70	425 + valves	44	1014	3460	514	1754	1.33	30.2	4.3
NVL-180-049	1800	496	white/colour	70	496 + valves	44	1183	4033	600	2047	1.33	35.3	5.0
NVL-180-056	1800	567	white/colour	70	567 + valves	44	1352	4613	685	2337	1.33	40.3	5.7
NVL-180-063	1800	638	white/colour	70	638 + valves	44	1517	5173	771	2629	1.33	45.4	6.4
Max. Working Pressure: 4.6 bar				Test House: HLK STUTTGART GMBH									
Max. Working Temperature: 120°C				Test House No: 0626									

## Zehnder Nova

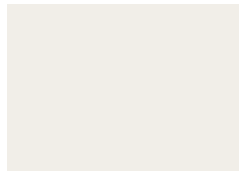
Made to measure options													
Model code	Height mm	No. of tubes	Finish	Overall Projection mm	Pipe Centres mm radiator	mm from wall	Outputs $\Delta T=50K$		Outputs $\Delta T=30K$		n Exponent	Weight kg	Water Content litres
							Watts	Btu	Watts	Btu			
Vertical single panel													
NV60	600	3	white/colour	70	length+valves	44	46	157	24	82	1.27	1.52	0.31
NV80	800	4	white/colour	70	length+valves	44	60	205	31	106	1.27	1.88	0.38
NV100	1000	5	white/colour	70	length+valves	44	74	252	39	133	1.27	2.21	0.44
NV120	1200	6	white/colour	70	length+valves	44	88	300	46	157	1.28	2.55	0.51
NV140	1400	7	white/colour	70	length+valves	44	102	348	53	181	1.29	2.88	0.58
NV160	1600	8	white/colour	70	length+valves	44	116	396	60	205	1.3	3.3	0.65
NV180	1800	9	white/colour	70	length+valves	44	130	444	67	229	1.31	3.63	0.71
NV200	2000	10	white/colour	70	length+valves	44	145	495	74	252	1.31	3.97	0.78
Horizontal single panel													
NH28	283	4	white/colour	70	length+valves	44	323	1102	171	583	1.24	8.2	1.77
NH35	354	5	white/colour	70	length+valves	44	391	1333	208	710	1.24	10.14	2.21
NH42	425	6	white/colour	70	length+valves	44	459	1979	244	833	1.24	12.08	2.66
NH49	496	7	white/colour	70	length+valves	44	527	1798	280	955	1.24	14.01	3.1
NH56	567	8	white/colour	70	length+valves	44	596	2033	315	1075	1.25	15.95	3.54
NH63	638	9	white/colour	70	length+valves	44	666	2272	352	1201	1.25	17.89	3.99
Max. Working Pressure: 4.6 bar				Test House: HLK STUTTGART GMBH									
Max. Working Temperature: 120°C				Test House No: 0626									

## Zehnder Nova

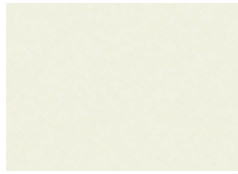
Made to measure options													
Model code	Height mm	No. of tubes	Finish	Overall Projection mm	Pipe Centres mm radiator	mm from wall	Outputs $\Delta T=50K$		Outputs $\Delta T=30K$		n Exponent	Weight kg	Water Content litres
							Watts	Btu	Watts	Btu			
Vertical single single panel, single fin													
NVL60	600	3	white/colour	70	length+valves	44	71	242	37	126	1.28	1.7	0.31
NVL80	800	4	white/colour	70	length+valves	44	88	300	46	157	1.29	2.08	0.38
NVL100	1000	5	white/colour	70	length+valves	44	105	358	54	184	1.29	2.82	0.44
NVL120	1200	6	white/colour	70	length+valves	44	121	413	62	212	1.3	3.17	0.51
NVL140	1400	7	white/colour	70	length+valves	44	137	467	70	239	1.31	3.92	0.58
NVL160	1600	8	white/colour	70	length+valves	44	153	522	78	266	1.32	4.29	0.65
NVL180	1800	9	white/colour	70	length+valves	44	169	577	86	293	1.33	5.04	0.71
NVL200	2000	10	white/colour	70	length+valves	44	185	631	94	321	1.32	5.39	0.78
Horizontal single panel, single fin													
NHL28/28	283	4	white/colour	69	length+valves	44	545	1859	286	976	1.26	12.85	1.77
NHL35/35	354	5	white/colour	69	length+valves	44	710	2422	371	1266	1.27	17.63	2.21
NHL42/42	425	6	white/colour	69	length+valves	44	814	2777	425	1450	1.27	21.1	2.66
NHL49/49	496	7	white/colour	69	length+valves	44	917	3129	477	1628	1.28	24.59	3.1
NHL56/56	567	8	white/colour	69	length+valves	44	1024	3494	530	1808	1.29	28.06	3.54
NHL63/56	638	9	white/colour	69	length+valves	44	1086	3705	562	1918	1.29	30.04	3.99
Max. Working Pressure: 4.6 bar				Test House: HLK STUTTGART GMBH									
Max. Working Temperature: 120°C				Test House No: 0626									

# Colour System

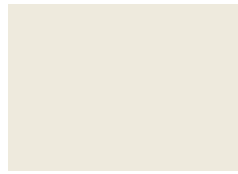
## Architectural



**White Matt**  
0556



**White Quartz**  
0521



**Pure White**  
RAL 9010 / 9010\*



**Inox Look**  
0332\*



**White Aluminium**  
9006\*



**Titane**  
0335\*



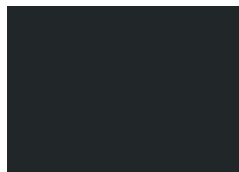
**Grey Aluminium**  
9007\*



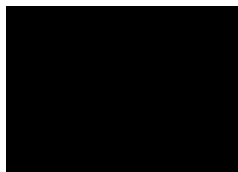
**Anthracite**  
0346



**Volcanic**  
0336



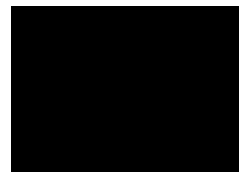
**Anthracite Grey**  
RAL 7016 / 7016\*



**Traffic Black**  
RAL 9017 / 9017\*



**Jet Black**  
RAL 9005 / 9005\*

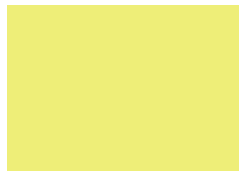


**Black Matt**  
0557



**Black Quartz**  
0550

## Tonic



**Lemon**  
0515\*



**Traffic Yellow**  
RAL 1023 / 1023\*



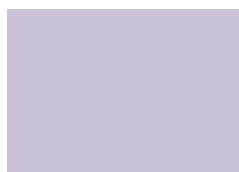
**Orange Quartz**  
0528



**Flame Red**  
RAL 3000 / 3000\*



**Ruby Red**  
RAL 3003 / 3003\*



**Mauve**  
0517\*



**Violet**  
0518\*



**Strawberry**  
NCS-S-2065-R20B / 3770



**Dark Purple**  
0848



**Amethyst Quartz**  
0516



**Lichen**  
NCS-S-2010-G60Y / 8723



**Spring Green**  
0846



**Pacific Blue**  
0519



**Horizon Blue**  
0520\*



**Prussian Blue**  
0555\*

\* These colours have a glossy finish, all others are matt.

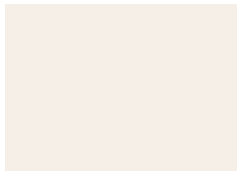
Some colours/surface finishes are only available for selected products.

Deviations are possible (shade and shine) due to the different manufacturing techniques used for the original colours. RAL and NCS are manufacturer designations.

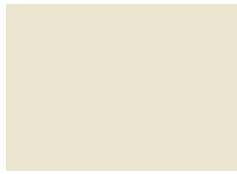
This colour chart only represents the range of Zehnder colours available. It is not representative of the actual colour finish. Please ask for a colour chart from which to confirm your selection before placing your order.



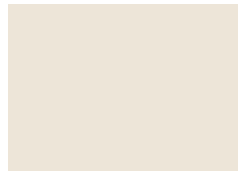
## Natural



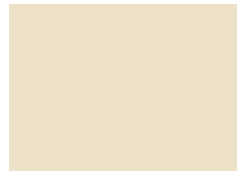
**Edelweiss**  
0067



**Cream**  
RAL 9001 / 9001\*



**Pergamon**  
0081\*



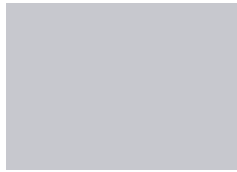
**Jasmin**  
0072



**Oyster White**  
RAL 1013 / 1013\*



**Grey White**  
RAL 9002 / 9002\*



**Chinchilla**  
0064



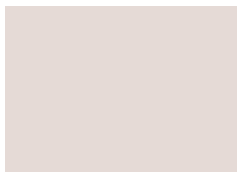
**Manhattan**  
0077\*



**Natura**  
0035\*



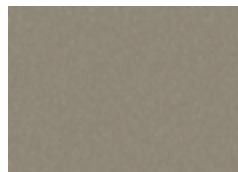
**Bahama**  
0054\*



**Petal**  
0510\*



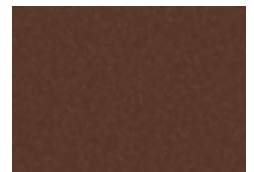
**Sand Quartz**  
0522



**Beige Quartz**  
0523



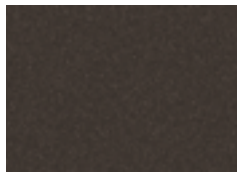
**Caramel Quartz**  
0511



**Terracotta Quartz**  
0512



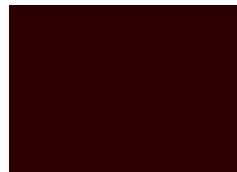
**Gold Look**  
0514\*



**Brown Quartz**  
0529

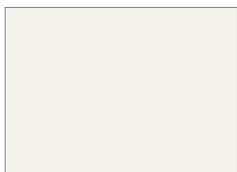


**Dark Brown**  
0847

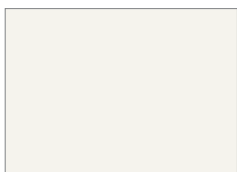


**Chocolate Brown**  
RAL 8017 / 8017\*

## Standard



**Traffic White**  
RAL 9016 / 9016\*



**Traffic White**  
RAL 9016 - matt version  
(incurs +25% colour  
surcharge)

## Surfaces



**Chrome**  
0008



**Stainless Steel**  
Only available for  
stainless steel radiators



**Technoline (Clear)**  
Bare-metal lacquer glossy  
finish 0325. Only available  
for Charleston range



**Black-silver  
hammered finish**  
0422\* Only available for  
Charleston range



**Copper-black  
hammered finish**  
0421\* Only available for  
Charleston range

# General Information

## Heat Loss Calculator

This easy-to-use heat calculator can work out the heat requirements for your room.

### Stage 1 Take the room dimensions in metres

Width  m Length  m Height  m

calculate the volume ( $W \times L \times H$ ) =  cubic metres

### Stage 2 Heating requirements per room type

Living Room / Dining Room / Bathroom  volume

multiply volume as calculated in Stage 1 by 50 =  Watts required

Bedroom  volume

multiply volume as calculated in Stage 1 by 40 =  Watts required

Kitchen / Hallway  volume

multiply volume as calculated in Stage 1 by 30 =  Watts required

### Stage 3 Other factors for consideration

Is the property exposed?  a

Does the room have large areas of glazing?  b

Are the windows double glazed?  c

If factor 'a' applies, increase the Watts required at Stage 2 by 15%

If factor 'b' applies, increase the Watts required at Stage 2 by 20%

If factor 'c' applies, decrease the Watts required at Stage 2 by 10%

If factor 'a' and 'b' apply, increase the Watts required at Stage 2 by 35%

If factor 'a' and 'c' apply, increase the Watts required at Stage 2 by 5%

If factor 'b' and 'c' apply, increase the Watts required at Stage 2 by 10%

If factor 'a', 'b' and 'c' apply, increase the Watts required at Stage 2 by 25%

Please note that this calculator is provided as a guide only.

To convert Watts to BTUs, multiply by 3.412.

For an approximate conversion from  $\Delta T50^{\circ}\text{C}$  to  $\Delta T60^{\circ}\text{C}$ , multiply the  $\Delta T50^{\circ}\text{C}$  output by 1.2.

## Terms and Conditions of Trading

A complete copy of the company's terms and conditions of trading are available on our website [www.zehnder.co.uk](http://www.zehnder.co.uk)

In addition to the Terms and Conditions, please note the following:

- All delivery times quoted are estimates only. Prices quoted include free delivery to the UK mainland for radiators and towel rails.
- Returned goods for credit will only be accepted by prior arrangement (confirmed in writing), within 8 weeks of the date of despatch, where the goods are part of our stock range and where the goods are as fit for sale on their return as they were on delivery. If goods have been fitted this is deemed as acceptance of their quality. We cannot accept the return of non-stock goods.
- You are responsible for ensuring the suitability, conformity and interoperability of the goods or indicative system design suggestions provided by us with your heating system and your design requirements. It is important that you undertake such verification with an appropriately qualified expert third party
- Where a radiator is returned as no longer required and an alternative radiator is not ordered a 25% restocking fee plus a £10 administration fee will be charged (unless the goods were defective when delivered). If a radiator is no longer required but an alternative radiator is ordered, either a restocking fee of £25 or 25% of the value (whichever is the lower) will be charged, but the administration fee will be waived.
- We warrant the goods for a period of 5 years for steel radiators, 10 years for stainless steel and aluminium radiators, 2 years for radiator electrical componentry and 3 years for extractor fans, from the date of delivery. The warranty is subject to correct installation to current standards/water treatments and use.
- Radiators with steel components (other than stainless steel) must not be installed on a domestic hot water circuit. If a stainless steel or brass product is to be installed on the domestic hot water circuit, a check should be made with the local water authority to ensure that dezincification is not a common occurrence.
- Artificially softened water should not be used to fill radiators. For FAQ radiator/water-related information, visit [www.fernox.com](http://www.fernox.com).
- All measurements given in this brochure are nominal dimensions only.
- All brochures, catalogues and other promotional materials are to be treated as illustrative only. Their contents form no part of any contract between us and you should not rely on them in entering into any contract with us. Any typographical, clerical or other error or omission in any literature, quotation, price list, or other document issued by us will be subject to correction without liability being incurred by us.

## Bathroom Zones

The diagram below shows a bathroom divided into four clear zones: 0, 1, 2 and outside zones. Please note, the diagram is only a guide and is NOT to scale. Please refer to I.E.E Wiring Regulations (BS 7671:2008) for detailed information.

**Zone 0:** Inside the bath

**Zone 1:** Area above bath / shower tray to a height of 2.25m.

Minimum rating of IPX4 should be used unless water spray will be present. In this case, a rating of IPX5 should be used.

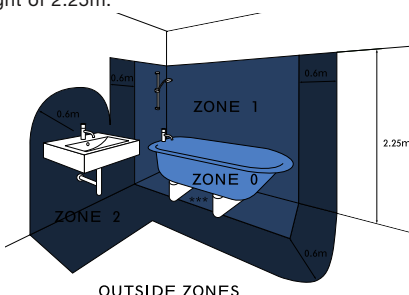
**Zone 2:** Area stretching 0.6m from zone 1. Minimum rating of IPX4 should be used here.

**Outside Zones:** No water spray is likely to be used here, therefore, no IP rating is required.

**IP Rating:** "X" denotes level of security against dust particles. Second digit denotes level of "watertightness".

**IPX5:** Protected against low pressure water jets

**IPX4:** Protected against splashing water



## Frequently Asked Questions

### Why is it important with some of the models that the flow is in a specific connection position?

Some of the design radiators have baffles inside the water-carrying tubes to divert the water flow around the whole radiator to maximize efficiency. Check the installation instructions to see if this applies to the radiator before it is installed.

### What is an inhibitor and why should it be used in a central heating system?

An inhibitor is a chemical mix that should be added to the central heating system water to prevent corrosion and to prolong the life of the system. When new or additional radiators are being installed, the system should be drained, cleaned and flushed in accordance with BS7593 and a good quality chemical water treatment inhibitor should be added to the heating system.

### Can steel and aluminium radiators be put on the same system?

Yes, as long as an inhibitor for mixed metal systems is used. In reality, most systems are already mixed metal, as many have aluminium heat exchangers in the boiler, plus copper pipes and steel radiators already installed.

### Why is it important to use dual energy installations correctly?

Simultaneous use of the electrical element and the central heating system should be avoided as this will shorten the life of the element and invalidate the warranty. Correct use is as follows: In summer when the central heating is switched off, vent the radiator to ensure there is no air present, then close the flow valve (only) and activate the immersion heater. In winter, de-activate the immersion heater and open the flow valve.

### What is the difference between outputs listed at $\Delta T60^{\circ}\text{C}$ and $\Delta T50^{\circ}\text{C}$ ?

$\Delta T60^{\circ}\text{C}$  allows for older boiler systems, whilst  $\Delta T50^{\circ}\text{C}$  is the new European testing standard for modern boilers, such as condensing boilers, which have lower flow and return temperatures. Therefore, to avoid radiators being incorrectly sized, it is important to know the system's temperatures and take them into consideration.

# Notes

Zehnder (retail) - A Division of Zehnder Group UK Ltd  
Watchmoor Point · Camberley · Surrey · GU15 3AD · Registered in England: 2296696  
T: +44 (0) 1276 605800 F: +44 (0) 1276 24058  
For placing an order · [orders@zehnder.co.uk](mailto:orders@zehnder.co.uk)  
For general enquiries · [retailsales@zehnder.co.uk](mailto:retailsales@zehnder.co.uk)  
[aftersales@zehnder.co.uk](mailto:aftersales@zehnder.co.uk)  
[quotes@zehnder.co.uk](mailto:quotes@zehnder.co.uk)  
[www.zehnder.co.uk](http://www.zehnder.co.uk)

**zehnder**