



RANGEmaster

Sinks & Taps



Introducing
GEO
4-in-1

Rangemaster's latest addition is GEO; An evolution in 4-in-1 taps delivering domestic hot and cold, filtered cold and 98° hot.

Smart, efficient and safe; GEO offers safe dispensing of 98° water with its child-safe key fob system, smart anti-scale technology for hassle free maintenance and efficiently delivers over 100 cups of perfectly filtered 98° water an hour.

The unpressurised system ensures a fast, consistent stream of water without the dangers of spitting, splashing and steaming often seen from other systems.

It also means simple installation with no need to adjust incoming water pressure and is even suitable for use in low pressure systems.



Visit page 33 for further information


www.geo-taps.co.uk



Stainless Steel Sinks

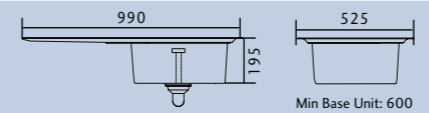
Designed to blend effortlessly into the heart of the modern family kitchen, a closer inspection of a Rangemaster stainless steel sink also reveals a real eye for design. Stain resistant, hard wearing and easy to clean, of course. Yet also with a stylish, seam-free appearance and inner strength, resulting from advanced manufacturing techniques.

SENATOR SN9951_ /




Specification:

- Overall Size: 990 x 525
- Main Bowl Size: 500 x 400
- Handed
- Finish: Brushed
- Waste Kit: Included



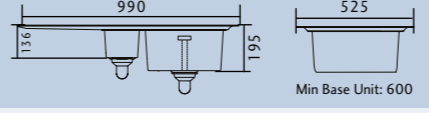
990 525 195
Min Base Unit: 600

SENATOR SN9952_ /



Specification:

- Overall Size: 990 x 525
- Main Bowl Size: 340 x 400
- Second Bowl Size: 180 x 400
- Handed
- Finish: Brushed
- Waste Kit: Included



990 525 195 136
Min Base Unit: 600

Senator Available as single & 1.5 bowl

The products in the Senator range have zero radius bowls and flat, sloped drainers for the ultimate geometric design. Manufactured from 1.2mm stainless steel with a continuous brushed finish, the Senator will fit into any contemporary kitchen.



Accessories Available (to buy your accessories visit www.rangemastersinks.co.uk):



WDUSQAD/
Square Waste Adapter

Tap Shown Above:




TMX1BF/ -
Brushed Finish

Arlington Available as single & 1.5 bowl

Embracing the trend for all things geometric, featuring stylish square wastes and a smooth drainer, for a bold but streamlined addition to a contemporary kitchen scheme. Manufactured from high grade stainless steel, with an enhanced Micro-Sheen™ finish and ground edge trim.

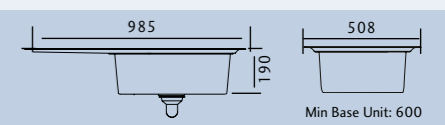


ARLINGTON AR9851_ /




Specification:

- Overall Size: 985 x 508
- Main Bowl Size: 450 x 420
- Handed
- Finish: Micro-Sheen™ with ground edge finish
- Waste Kit: Included



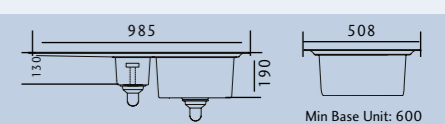
985 508 190
Min Base Unit: 600

ARLINGTON AR9852_ /



Specification:

- Overall Size: 985 x 508
- Main Bowl Size: 340 x 420
- Second Bowl Size: 160 x 350
- Handed
- Finish: Micro-Sheen™ with ground edge finish
- Waste Kit: Included



985 508 190 130
Min Base Unit: 600

Accessories Available (to buy your accessories visit www.rangemastersinks.co.uk):



KA20 Draining Basket
- Stainless steel



KA09 Strainer Bowl
- Stainless steel



KA21 Worktop Saver
- Glass



WDUSQAD/
Square Waste Adapter

Tap Shown Above:

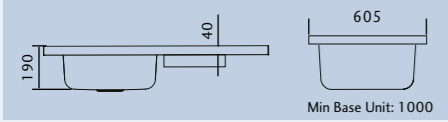


TQSL1CM/ -
Chrome Finish

MEZZO MZ10001/_



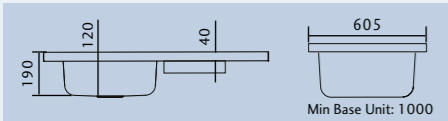
- Specification:**
- Overall Size: 1000 x 605
 - Main Bowl Size: 420 x 400
 - Handed
 - Finish: Micro-Sheen™
 - Waste Kit: Included



MEZZO MZ10002/_



- Specification:**
- Overall Size: 1000 x 605
 - Main Bowl Size: 420 x 400
 - Second Bowl Size: 342 x 156
 - Handed
 - Finish: Micro-Sheen™
 - Waste Kit: Included



Mezzo

Available as single & 1.5 bowl
SIT-ON SINK

The Mezzo sink from Rangemaster is a 1 metre long work station manufactured from high grade 1.2mm, 18/10 stainless steel. The Mezzo has been designed to provide an effective food preparation area as well as providing large, deep bowls. Mezzo is a real style statement in any kitchen.



Accessories Available (to buy your accessories visit www.rangemastersinks.co.uk):



KA28 Strainer Bowl
- Stainless steel

Tap Shown Above:

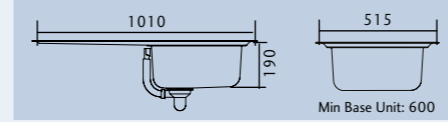


TMO2BF/
- Brushed Finish

MANHATTAN MN10101/_



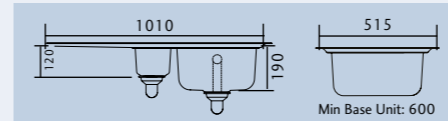
- Specification:**
- Overall Size: 1010 x 515
 - Main Bowl Size: 400 x 420
 - Handed
 - Finish: Micro-Sheen™ with ground edge finish
 - Waste Kit: Included



MANHATTAN MN10102/_



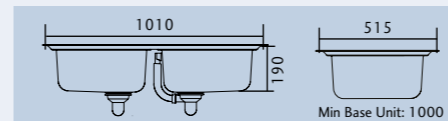
- Specification:**
- Overall Size: 1010 x 515
 - Main Bowl Size: 350 x 420
 - Second Bowl Size: 156 x 342
 - Handed
 - Finish: Micro-Sheen™ with ground edge finish
 - Waste Kit: Included



MANHATTAN MN10105/_



- Specification:**
- Overall Size: 1010 x 515
 - Main Bowl Size: 400 x 420
 - Second Bowl Size: 400 x 420
 - Finish: Micro-Sheen™ with ground edge finish
 - Waste Kit: Included



Manhattan

Available as single, 1.5 & double bowl

The Manhattan combines fantastic good looks with universal appeal. Designed to perfectly complement any kitchen scheme, this stainless steel sink is slightly larger than our other inset sinks. It is immensely practical and hard-working, with a recessed drainer preventing water spillage and low profile edges providing a flush, hygienic appearance.



Accessories Available (to buy your accessories visit www.rangemastersinks.co.uk):



KA12 Draining Basket
- Stainless steel



KA10 Chopping Board
- Bamboo



KA28 Strainer Bowl
- Stainless steel

Tap Shown Above:



TCF2BF/
- Brushed Finish

Rockford

Available as single & 1.5 bowl

The Rockford incorporates classical linear styling and features distinctive bold lines. This is a versatile sink at home in a wide range of traditional and contemporary kitchens, while also offering impeccable quality and long term durability. The Rockford also benefits from our attractive soft brushed Microsheen™ finish.



Accessories Available (to buy your accessories visit www.rangemastersinks.co.uk):



KA20 Draining Basket
- Stainless steel



KA09 Strainer Bowl
- Stainless steel

Tap Shown Above:

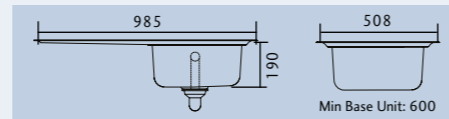


TQM1CM/
- Chrome Finish

ROCKFORD RK9851/_



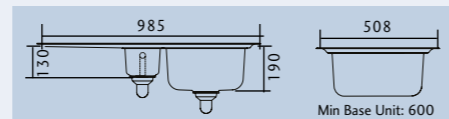
- Specification:**
- Overall Size: 985 x 508
 - Main Bowl Size: 420 x 340
 - Handed
 - Finish: Micro-Sheen™
 - Waste Kit: Included



ROCKFORD RK9852/_



- Specification:**
- Overall Size: 985 x 508
 - Main Bowl Size: 420 x 400
 - Second Bowl Size: 160 x 350
 - Handed
 - Finish: Micro-Sheen™
 - Waste Kit: Included



Keyhole

Available as single & 1.5 bowl

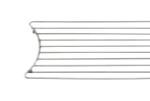
Modern, innovative and beautifully understated, the Keyhole is a truly unique concept in sink design – an example of form and function in perfect harmony. Its large, round bowl is ideal for rinsing large pans and woks, while a deep, recessed drainer provides useful additional space for food preparation. The recess also ensures no water spillage when you're draining larger items.



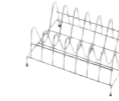
Accessories Available (to buy your accessories visit www.rangemastersinks.co.uk):



KA49 Chopping Board
- Beech



KA47 Trivet
- Stainless steel

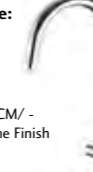


KA48 Plate Rack
- Stainless steel



KA26 Strainer Bowl
- Stainless steel

Tap Shown Above:

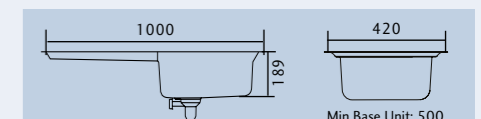


TAE1CM/
- Chrome Finish

KEYHOLE KY10001/_



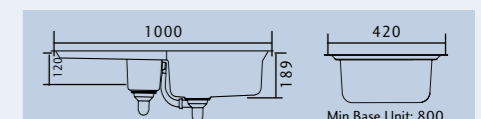
- Specification:**
- Overall Size: 1000 x 520
 - Main Bowl Size: 420ø
 - Reversible
 - Finish: Micro-Sheen™ with ground edge finish
 - Waste Kit: Included



KEYHOLE KY10002/_



- Specification:**
- Overall Size: 1000 x 520
 - Main Bowl Size: 420ø
 - Second Bowl Size: 156 x 300
 - Reversible
 - Finish: Micro-Sheen™ with ground edge finish
 - Waste Kit: Included

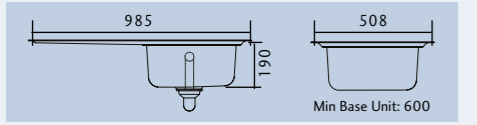


OAKLAND OL9851/




Specification:

- Overall Size: 985 x 508
- Main Bowl Size: 450 x 508
- Handed
- Finish: Micro-Sheen™ with ground edge finish
- Waste Kit: Included

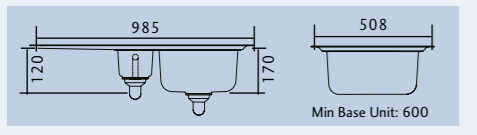


OAKLAND OL9852/



Specification:

- Overall Size: 985 x 508
- Main Bowl Size: 360 x 424
- Second Bowl Size: 156 x 342
- Handed
- Finish: Micro-Sheen™ with ground edge finish
- Waste Kit: Included






Oakland

Available as single & 1.5 bowl

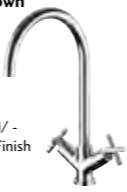
The Oakland sink is a modern twist on a classic design. Offering a sleek and contemporary look, with a lustrous Micro-Sheen™ finish, the Oakland range includes a single bowl and 1.5 bowl version - a perfect solution whatever style of kitchen you choose, however big your family.



Accessories Available (to buy your accessories visit www.rangemastersinks.co.uk):






Tap Shown Above:



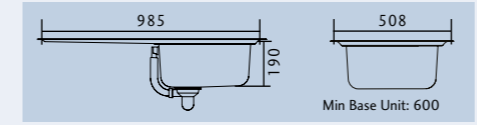
TAC3CM/ - Chrome Finish

SEDONA SD9851/



Specification:

- Overall Size: 985 x 508
- Main Bowl Size: 400 x 420
- Reversible
- Finish: Micro-Sheen™ with ground edge finish
- Waste Kit: Included

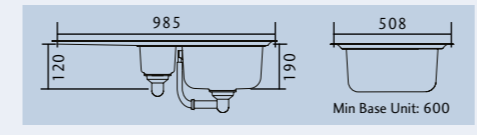


SEDONA SD9852/



Specification:

- Overall Size: 985 x 508
- Main Bowl Size: 350 x 420
- Second Bowl Size: 156 x 342
- Reversible
- Finish: Micro-Sheen™ with ground edge finish
- Waste Kit: Included






Sedona

Available as single & 1.5 bowl


When practical design is more important than state-of-the-art styling, the 18/10 stainless steel Sedona is the ultimate choice for any kitchen scheme. With large 1.0 or 1.5 welded bowls, it comes with circular basket strainer wastes and our Micro-Sheen™ finish for a sparkling sink that's easy to clean.



Accessories Available (to buy your accessories visit www.rangemastersinks.co.uk):

Tap Shown Above:



TA11CM/ - Chrome Finish




Houston

Available as single & 1.5 bowl


The Houston sink family is available in single and 1.5 bowl versions and features an eye-catching 'waterfall' styled drainer, which promises to create a design statement in any kitchen. Both models boast welded bowls to ensure high durability, while their generous dimensions offer excellent levels of practicality for homeowners who put their sink through its paces.



Accessories Available (to buy your accessories visit www.rangemastersinks.co.uk):

Tap Shown Above:



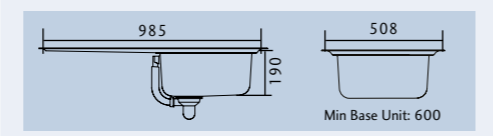
TRE1CM/ - Chrome Finish

HOUSTON HS9851/



Specification:

- Overall Size: 985 x 508
- Main Bowl Size: 420 x 400
- Reversible
- Finish: Micro-Sheen™
- Waste Kit: Included

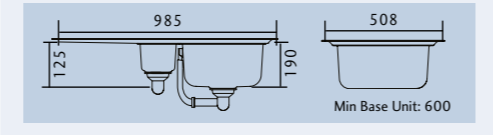


HOUSTON HS9852/



Specification:

- Overall Size: 985 x 508
- Main Bowl Size: 355 x 380
- Second Bowl Size: 300 x 156
- Reversible
- Finish: Micro-Sheen™
- Waste Kit: Included






Michigan

Available as single compact, single & 1.5 bowl

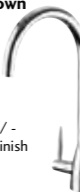
Made from high-grade 18/10 stainless steel, this range comprises a compact 1.0 bowl, 1.0 bowl and 1.5 bowl sizes to suit all cabinetry designs. Each sink comes with our shiny Micro-Sheen™ finish, ground edge rim, etched logo, full waste kit with basket strainer wastes and circular overflow.



Accessories Available (to buy your accessories visit www.rangemastersinks.co.uk):

Tap Shown Above:



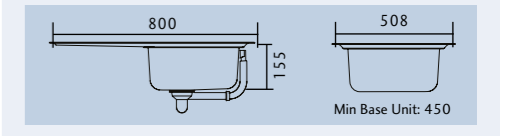
TVO1CM/ - Chrome Finish

MICHIGAN COMPACT MG8001/



Specification:

- Overall Size: 800 x 508
- Main Bowl Size: 360 x 424
- Reversible
- Finish: Micro-Sheen™ with ground edge finish
- Waste Kit: Included

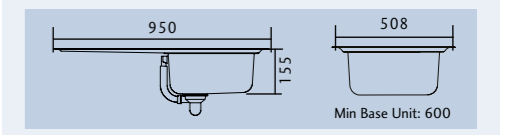


MICHIGAN MG9501/



Specification:

- Overall Size: 950 x 508
- Main Bowl Size: 360 x 424
- Reversible
- Finish: Micro-Sheen™ with ground edge finish
- Waste Kit: Included

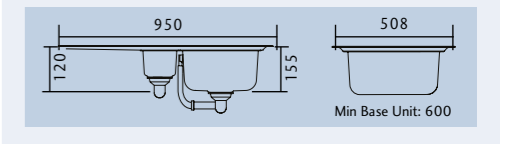


MICHIGAN MG9502/



Specification:

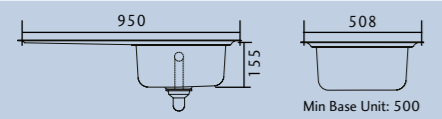
- Overall Size: 950 x 508
- Main Bowl Size: 360 x 424
- Second Bowl Size: 151 x 300
- Reversible
- Finish: Micro-Sheen™ with ground edge finish
- Waste Kit: Included



GLENDALE GL9501/



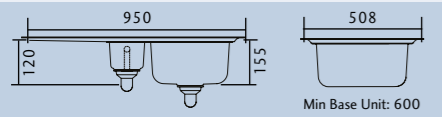
- Specification:**
- Overall Size: 950 x 508
 - Main Bowl Size: 360 x 424
 - Reversible
 - Finish: Micro-Sheen™ with ground edge finish
 - Waste Kit: Included



GLENDALE GL9502/



- Specification:**
- Overall Size: 950 x 508
 - Main Bowl Size: 360 x 424
 - Second Bowl Size: 156 x 342
 - Reversible
 - Finish: Micro-Sheen™ with ground edge finish
 - Waste Kit: Included



Glendale

Available as single & 1.5 bowl

Manufactured from high grade stainless steel, the Glendale promises to be practical and hard working, with a 25 year warranty as standard. Offering the flexibility of a single bowl or 1.5 bowl option, the drainer takes on a bold linear design which is easy to clean and sits perfectly within a range of kitchen styles.



Accessories Available (to buy your accessories visit www.rangemastersinks.co.uk):



KA12 Draining Basket - Stainless steel



KA10 Chopping Board - Bamboo



KA28 Strainer Bowl - Stainless steel

Tap Shown Above:



TAD3CM/ - Chrome Finish

Baltimore

Available as single compact, single & 1.5 bowl

Flexible in form and function, the Baltimore family includes compact, standard single bowl and 1.5 bowl variants. Utilising a stylish "sun burst" design drainer and manufactured from high grade stainless steel with ground edge trim, the Baltimore collection hosts three quality sinks which are at home in either contemporary or traditional kitchens.



Accessories Available (to buy your accessories visit www.rangemastersinks.co.uk):



KA12 Draining Basket - Stainless steel



KA10 Chopping Board - Bamboo

Tap Shown Above:

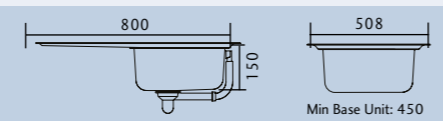


TAF1 CM/ - Chrome Finish

BALTIMORE COMPACT BL8001/



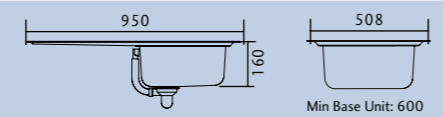
- Specification:**
- Overall Size: 800 x 508
 - Main Bowl Size: 340 x 424
 - Reversible
 - Finish: Micro-Sheen™ with ground edge finish
 - Waste Kit: Included



BALTIMORE BL9501/



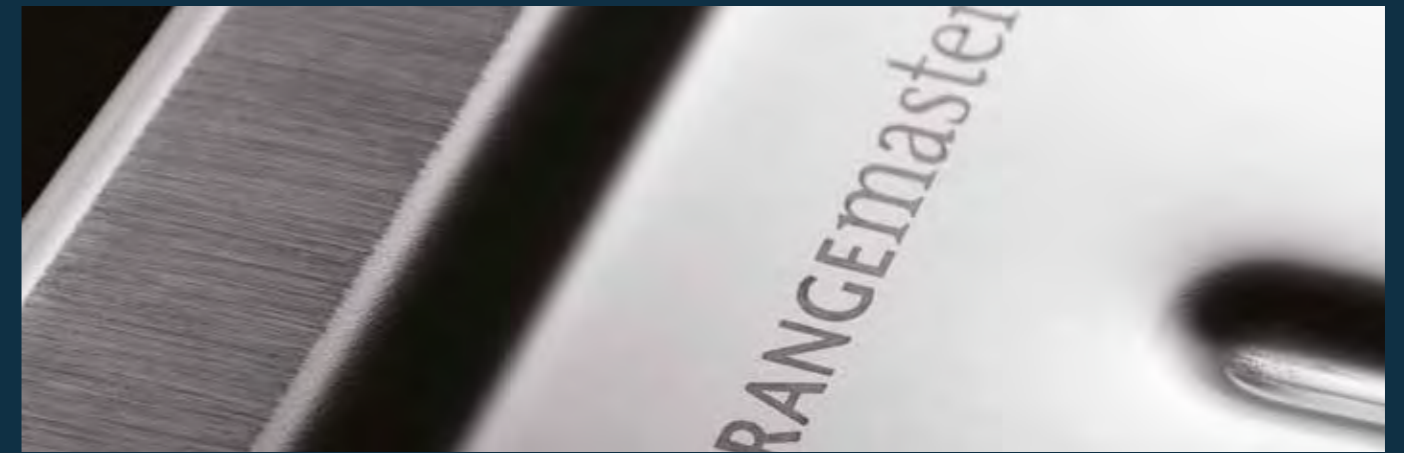
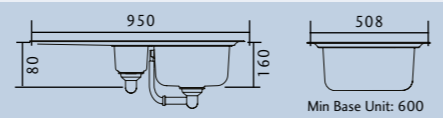
- Specification:**
- Overall Size: 950 x 508
 - Main Bowl Size: 420 x 400
 - Reversible
 - Finish: Micro-Sheen™ with ground edge finish
 - Waste Kit: Included



BALTIMORE BL9502/



- Specification:**
- Overall Size: 950 x 508
 - Main Bowl Size: 340 x 410
 - Second Bowl Size: 175 x 320
 - Reversible
 - Finish: Micro-Sheen™ with ground edge finish
 - Waste Kit: Included



Our Stainless Steel Features

All Rangemaster inset stainless steel sinks are manufactured with a new Micro-Sheen™ finish featuring a hard wearing etched Rangemaster logo, and are framed within a subtle ground-edge trim to stand proud in your kitchen. This exquisite finish is complemented by the practicality of automatically applied sealant and pre-fitted clips for ease when installing.



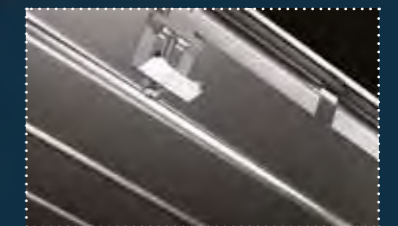
Subtle Ground Edge Finish

Each stainless steel inset fitted sink is finished with a subtle ground edge trim to beautifully frame your sink.



Micro-Sheen™ Finish

All stainless steel sinks have an enhanced soft brushed finish to the bowl & drainer.



Fitted Clips & Seals

Rangemaster stainless steel inset sinks have fitted clips and seals reducing installation time and ensure a perfect, water tight contact with the work surface.



Atlantic Kube 10mm corner radius


With a dramatic 10mm radii defining the corners to this bowl type, the Kube undermount creates a geometric effect which will sit perfectly within streamlined cabinetry. Featuring a modern square waste and overflow, this range is available in a mix of single, 1.5 and double bowl configurations.



Tap Shown Above:
TQC1BF/ - Brushed Finish

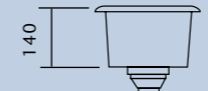
Accessories Available:
KA22 Worktop Saver - Glass
WDUSQAD/ Square Waste Adapter

KUBE KUB18/




Specification:

- Overall Size: 210 x 430
- Main Bowl Size: 180 x 400
- Finish: Micro-Sheen™
- Waste Kit: Square BSW - Included



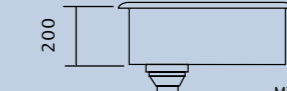
Min Base Unit: 300

KUBE KUB50/



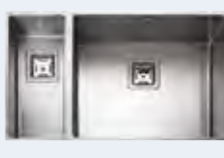
Specification:

- Overall Size: 530 x 430
- Main Bowl Size: 500 x 400
- Finish: Micro-Sheen™
- Waste Kit: Square BSW - Included



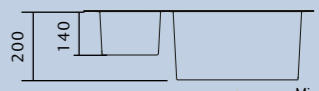
Min Base Unit: 600

KUBE KUB5018_/




Specification:

- Overall Size: 740 x 430
- Main Bowl Size: 500 x 400
- Second Bowl Size: 180 x 400
- Handed
- Finish: Micro-Sheen™
- Waste Kit: Square BSW - Included



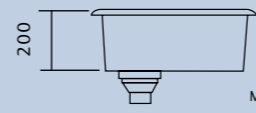
Min Base Unit: 800

KUBE KUB34/




Specification:

- Overall Size: 370 x 430
- Main Bowl Size: 340 x 400
- Finish: Micro-Sheen™
- Waste Kit: Square BSW - Included



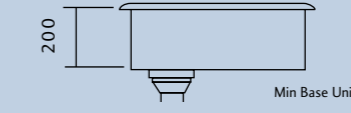
Min Base Unit: 400

KUBE KUB70/



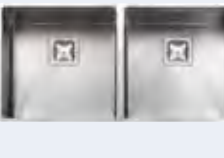
Specification:

- Overall Size: 730 x 430
- Main Bowl Size: 700 x 400
- Finish: Micro-Sheen™
- Waste Kit: Square BSW - Included



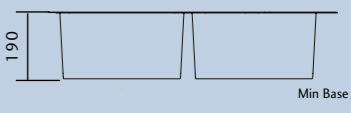
Min Base Unit: 800

KUBE KUB4040/




Specification:

- Overall Size: 860 x 430
- Main Bowl Size: 400 x 400
- Second Bowl Size: 400 x 400
- Finish: Micro-Sheen™
- Waste Kit: Square BSW - Included



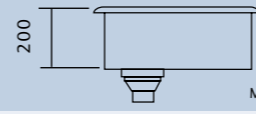
Min Base Unit: 900

KUBE KUB40/



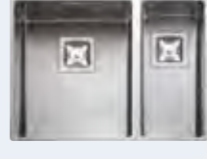
Specification:

- Overall Size: 430 x 430
- Main Bowl Size: 400 x 400
- Finish: Micro-Sheen™
- Waste Kit: Square BSW - Included



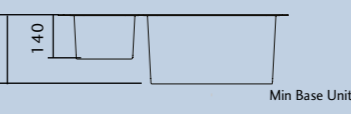
Min Base Unit: 500

KUBE KUB3418_/



Specification:

- Overall Size: 580 x 430
- Main Bowl Size: 340 x 400
- Second Bowl Size: 180 x 400
- Handed
- Finish: Micro-Sheen™
- Waste Kit: Square BSW - Included



Min Base Unit: 600

Atlantic Undermounts

For a more discreet presence, Rangemaster offers a vast range of undermount bowls, comprising an eclectic mix of single, 1.5 and double bowl variants. Available in three radii options the range covers curvaceous bowls and distinguished geometric effect corners to complement the tone of your kitchen.

NB: The Atlantic Kube sinks are not compatible with Rangemaster's Waste Disposal Units unless the square waste adaptor is in use.

Atlantic Quad 25mm corner radius

The Quad undermount range features more distinct lines than the classic undermount, with a 25mm radius in the bowl corners. Made from high grade stainless steel, the Quad bowls feature a square waste and overflow to suit more contemporary kitchen schemes, and come in a variety of configurations to suit your needs.



Tap Shown Above:
TQC1BF/-
Brushed Finish

Accessories Available:
KA22 Worktop Saver - Glass
WDUSQAD/
Square Waste Adapter

Atlantic Classic

The Classic undermounts have an elegant curvature to the bowls, creating a discreet sink solution suited to any kitchen scheme. Flexibility is also at the forefront of Rangemaster's undermount sinks, with the option of combining different bowl sizes to suit, in addition to both handed and reversible multiple bowl options. All come with a basket strainer waste provided, and a 25 year warranty.



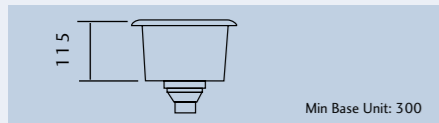
Tap Shown Above:
TAC3CM/-
Chrome Finish

Accessories Available:
KA28 Strainer Bowl - Stainless steel
KA12 Draining Basket - Stainless steel

QUAD QUB16/

Specification:

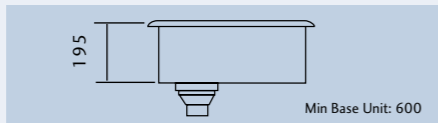
- Overall Size: 200 x 340
- Main Bowl Size: 160 x 300
- Finish: Micro-Sheen™
- Waste Kit: Square BSW - Included



QUAD QUB48/

Specification:

- Overall Size: 530 x 450
- Main Bowl Size: 340 x 400
- Finish: Micro-Sheen™
- Waste Kit: Square BSW - Included



QUAD QUB3434/

Specification:

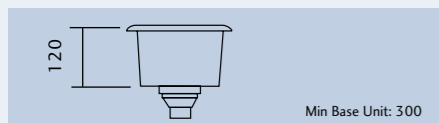
- Overall Size: 760 x 450
- Main Bowl Size: 340 x 400
- Second Bowl Size: 340 x 400
- Finish: Micro-Sheen™
- Waste Kit: Square BSW - Included



QUAD QUB18/

Specification:

- Overall Size: 234 x 450
- Main Bowl Size: 180 x 400
- Finish: Micro-Sheen™
- Waste Kit: Square BSW - Included



QUAD QUB3416_/

Specification:

- Overall Size: 580 x 450
- Main Bowl Size: 340 x 400
- Second Bowl Size: 160 x 300
- Finish: Micro-Sheen™
- Handed
- Waste Kit: Square BSW - Included



QUAD QUB4818_/

Specification:

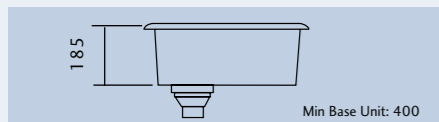
- Overall Size: 740 x 450
- Main Bowl Size: 480 x 400
- Second Bowl Size: 180 x 400
- Finish: Micro-Sheen™
- Handed
- Waste Kit: Square BSW - Included



QUAD QUB34/

Specification:

- Overall Size: 390 x 450
- Main Bowl Size: 340 x 400
- Finish: Micro-Sheen™
- Waste Kit: Square BSW - Included



QUAD QUB3418_/

Specification:

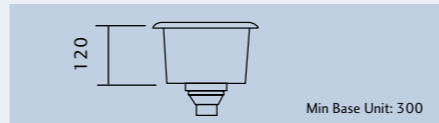
- Overall Size: 600 x 450
- Main Bowl Size: 340 x 400
- Second Bowl Size: 180 x 400
- Finish: Micro-Sheen™
- Handed
- Waste Kit: Square BSW - Included



CLASSIC UB15/

Specification:

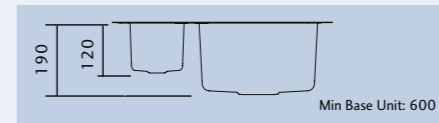
- Overall Size: 185 x 370
- Main Bowl Size: 156 x 342
- Finish: Micro-Sheen™
- Waste Kit: Included



CLASSIC UB3515_/

Specification:

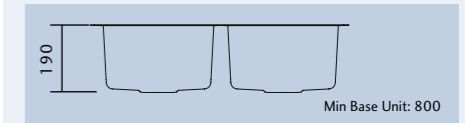
- Overall Size: 597 x 472
- Main Bowl Size: 350 x 420
- Second Bowl Size: 156 x 342
- Finish: Micro-Sheen™
- Handed
- Waste Kit: Included



CLASSIC UB3535/

Specification:

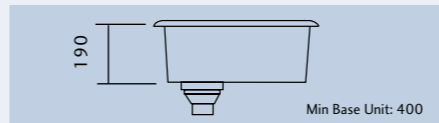
- Overall Size: 787 x 472
- Main Bowl Size: 350 x 420
- Second Bowl Size: 350 x 420
- Finish: Micro-Sheen™
- Waste Kit: Included



CLASSIC UB35/

Specification:

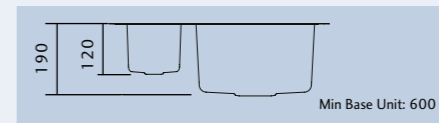
- Overall Size: 378 x 448
- Main Bowl Size: 350 x 420
- Finish: Micro-Sheen™
- Waste Kit: Included



CLASSIC UB3515/

Specification:

- Overall Size: 597 x 472
- Main Bowl Size: 350 x 420
- Second Bowl Size: 156 x 342
- Finish: Micro-Sheen™
- Handed
- Waste Kit: Included



CLASSIC UB4035_/

Specification:

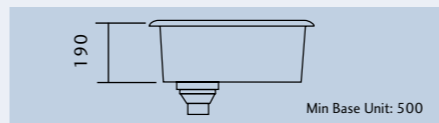
- Overall Size: 945 x 460
- Main Bowl Size: 420 x 400
- Second Bowl Size: 420 x 400
- Handed
- Finish: Micro-Sheen™
- Waste Kit: Included



CLASSIC UB40/

Specification:

- Overall Size: 460 x 440
- Main Bowl Size: 420 x 400
- Finish: Micro-Sheen™
- Waste Kit: Included



CLASSIC UB4015_/

Specification:

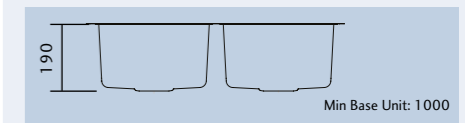
- Overall Size: 671 x 460
- Main Bowl Size: 420 x 400
- Second Bowl Size: 156 x 342
- Finish: Micro-Sheen™
- Handed
- Waste Kit: Included



CLASSIC UB4040/

Specification:

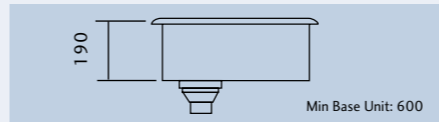
- Overall Size: 945 x 460
- Main Bowl Size: 420 x 400
- Second Bowl Size: 420 x 400
- Finish: Micro-Sheen™
- Waste Kit: Included



CLASSIC UB45/

Specification:

- Overall Size: 490 x 460
- Main Bowl Size: 450 x 420
- Finish: Micro-Sheen™
- Waste Kit: Included




NB: The Atlantic Quad sinks are not compatible with Rangemaster's Waste Disposal Units unless the square waste adaptor is in use.



Igneous Sinks

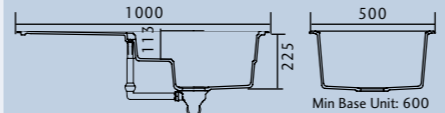
Constructed from a patented formula of 80% quartz – the toughest element of granite – and high-grade acrylic, the Igneous sink collection is literally rock solid. Impervious to knocks and scratches, it's UV stable for a fade-free finish and has high-intensity colour running through its very core. Cleaning is a dream thanks to Igneous' natural antibacterial surface that repels microbes and stains. There are five distinctive designs to choose from, each presented in a trio of style-led shades.

MAGMA MAG1051 /




Specification:

- Overall Size: 1000 x 500
- Main Bowl Size: 483 x 423
- Reversible
- Finish: Igneous
- Waste Kit: Included

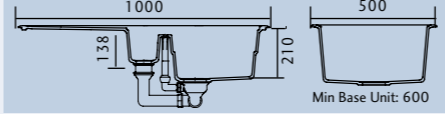


MAGMA MAG1052 /



Specification:

- Overall Size: 1000 x 500
- Main Bowl Size: 343 x 423
- Second Bowl Size: 120 x 315
- Reversible
- Finish: Igneous
- Waste Kit: Included



Magma Available as single & 1.5 bowl

Step up to the water-saving benefits of Magma, which sports an innovative stepped bowl design that takes moments to fill, yet leaves plenty of room for pots and pans. You'll also love its smooth, sculptural profile, with elegant fluted drainer and crisp stainless steel overflow. Also available in a 1.5 bowl non-stepped version.



Available in three attractive colours.

- AS ASH
- CW CRYSTAL WHITE
- SN STONE

Accessories Available (to buy your accessories visit www.rangemastersinks.co.uk):



Tap Shown Above:



Amethyst Available as single compact, single & 1.5 bowl

The modern classic lines of this elegant trio will look equally at home in a contemporary or traditional kitchen. Choose the more compact single bowl model if you're pushed for space or spread out with the large single or 1.5 bowl models, complete with generous draining area.



Available in three attractive colours.

- AS ASH
- CW CRYSTAL WHITE
- SN STONE

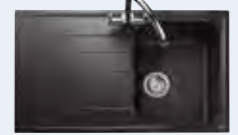
Accessories Available (to buy your accessories visit www.rangemastersinks.co.uk):



Tap Shown Above:

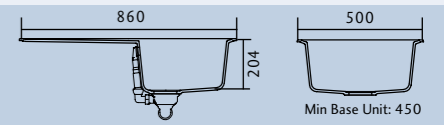


COMPACT AME860 /




Specification:

- Overall Size: 860 x 500
- Main Bowl Size: 348 x 422
- Reversible
- Finish: Igneous
- Waste Kit: Included

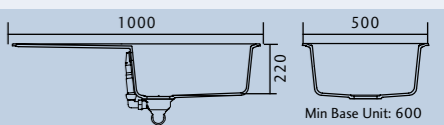


AMETHYST AME1051 /




Specification:

- Overall Size: 1000 x 500
- Main Bowl Size: 482 x 422
- Reversible
- Finish: Igneous
- Waste Kit: Included

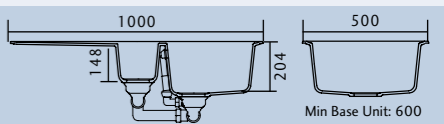


AMETHYST AME1052 /



Specification:

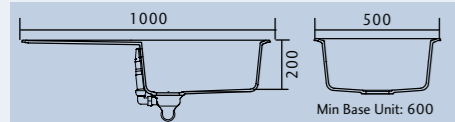
- Overall Size: 1000 x 500
- Main Bowl Size: 341 x 422
- Second Bowl Size: 161 x 301
- Reversible
- Finish: Igneous
- Waste Kit: Included



SCORIA SCO1051_/_



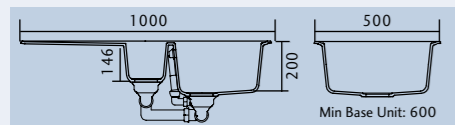
- Specification:**
- Overall Size: 1000 x 500
 - Main Bowl Size: 480 x 430
 - Reversible
 - Finish: Igneous
 - Waste Kit: Included



SCORIA SCO1052_/_



- Specification:**
- Overall Size: 1000 x 500
 - Main Bowl Size: 345 x 430
 - Second Bowl Size: 155 x 340
 - Reversible
 - Finish: Igneous
 - Waste Kit: Included



Scoria

Available as single & 1.5 bowl

Sleek, sophisticated styling with a tough, resistant composition; the Scoria's crisp, minimalist lines make this a popular choice for the modern kitchen.



Available in three attractive colours.

- AS ASH
- CW CRYSTAL WHITE
- SN STONE

Accessories Available (to buy your accessories visit www.rangemastersinks.co.uk):



KA20 Draining Basket - Stainless steel

KA10 Chopping Board - Bamboo

Tap Shown Above:



TSN1CM/ - Chrome Finish

PARAGON PAR3115_/_



- Specification:**
- Overall Size: 550 x 430
 - Main Bowl Size: 310 x 370
 - Second Bowl Size: 152 x 370
 - Right Hand Only
 - Finish: Igneous
 - Waste Kit: Included



Paragon

Available as 1.5 bowl

Go under-mounted for a sleek, seamless worksurface and enjoy all the advantages of a durable 1.5 bowl sink with deep granite bowls. Boasting a modern geometric design, our Paragon sink is the ideal match for composite worksurfaces and fits neatly within a standard 60cm-wide cabinet.



Available in three attractive colours.

- AS ASH
- CW CRYSTAL WHITE
- SN STONE



Accessories Available (to buy your accessories visit www.rangemastersinks.co.uk):



KA14 Glass Worktop Saver - 12mm Worktop

KA15 Glass Worktop Saver - 20mm Worktop

Tap Shown Above:



TBL2CM/ - Chrome Finish

Andesite

Available as single & 1.5 bowl

Andesite inset sinks encompass a simple yet sleek drainer pattern alongside large geometric bowls, which offer a contemporary look that is at home in a range of modern kitchens. Attractive circular wastes and overflows, bold contemporary lines and low radius corners culminate into a stunning design for the trend-conscious home



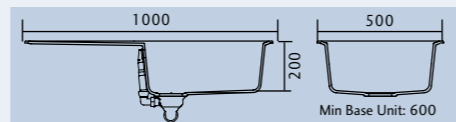
Available in three attractive colours.

- AS ASH
- CW CRYSTAL WHITE
- SN STONE

ANDESITE AND1051_/_



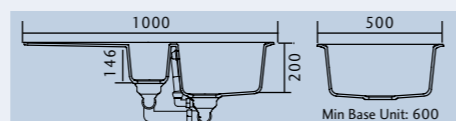
- Specification:**
- Overall Size: 1000 x 500
 - Main Bowl Size: 480 x 440
 - Reversible
 - Finish: Igneous
 - Waste Kit: Included



ANDESITE AND1052_/_



- Specification:**
- Overall Size: 1000 x 500
 - Main Bowl Size: 345 x 440
 - Second Bowl Size: 155 x 295
 - Reversible
 - Finish: Igneous
 - Waste Kit: Included



Accessories Available (to buy your accessories visit www.rangemastersinks.co.uk):



KA20 Draining Basket - Stainless steel

KA10 Chopping Board - Bamboo

Tap Shown Above:



TRE1CM/ - Chrome Finish



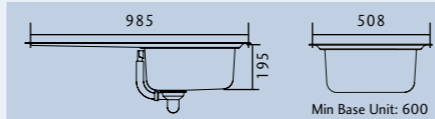
Neo-Rock Sinks

Rangmaster's exclusive Neo-Rock material has been specially developed for extreme scratch resistance and incredible resilience to high temperatures. Incorporating 70% quartz particles, the new material also has an excellent inherent strength and stands up well to UV damage, retaining its colour over time, while offering natural aesthetic and superior environmental credentials.

LUNAR LU9851



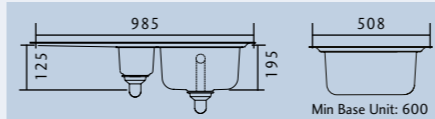
- Specification:**
- Overall Size: 985 x 508
 - Main Bowl Size: 498 x 428
 - Reversible
 - Finish: Neo-Rock
 - Waste Kit: Included



LUNAR LU9852



- Specification:**
- Overall Size: 985 x 508
 - Main Bowl Size: 344 x 428
 - Second Bowl Size: 160 x 428
 - Reversible
 - Finish: Neo-Rock
 - Waste Kit: Included



Lunar

Available as single & 1.5 bowl

Enjoy the softly curved features of the Lunar sink, the Lunar is made from a high quality composite material that's incredibly robust. Its minimalist draining area is precisely angled to carry away water with ease, while its curvaceous bowls are easier to clean than angular alternatives as there are no tight corners to harbour food debris.



Available in four attractive colours.

- GB** BLACK
- GW** WHITE
- GG** GREY
- GM** OATMEAL

Accessories Available (to buy your accessories visit www.rangemastersinks.co.uk):



KA12 Draining Basket - Stainless steel



KA10 Chopping Board - Bamboo

Tap Shown Above:



TQC1 CM/ - Chrome Finish

Cubix

Available as single & 1.5 bowl

The Cubix offers a striking contemporary design with solid, practical appeal. Incorporating a large main bowl, handy second bowl and a deep drainer, the Cubix sink is ideal as a food preparation area or as a washing up station.



Available in four attractive colours.

- GB** BLACK
- GW** WHITE
- GG** GREY
- GM** OATMEAL

Accessories Available (to buy your accessories visit www.rangemastersinks.co.uk):



KA12 Draining Basket - Stainless steel



KA10 Chopping Board - Bamboo

Tap Shown Above:

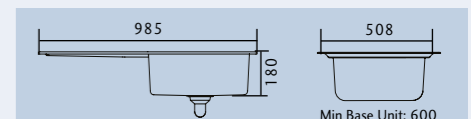


TQC1 CM/ - Chrome Finish

CUBIX CX9851



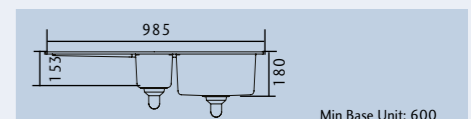
- Specification:**
- Overall Size: 985 x 508
 - Main Bowl Size: 488 x 500
 - Reversible
 - Finish: Neo-Rock
 - Waste Kit: Included



CUBIX CX9852



- Specification:**
- Overall Size: 985 x 508
 - Main Bowl Size: 488 x 350
 - Second Bowl Size: 160 x 355
 - Reversible
 - Finish: Neo-Rock
 - Waste Kit: Included





Fire-Clay Ceramic Sinks

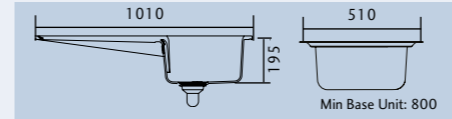
Constructed from ceramic, fired at extremely high temperatures, Rangemaster fire-clay ceramic sinks provide superior strength and look stunning with a high gloss finish and are renowned for being hygienic and incredibly easy to clean.

NB: All fire-clay ceramic sinks may have a +/- 5mm tolerance on the measurements.

PORTLAND CPL10101WH/



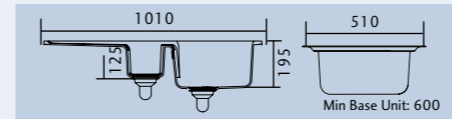
- Specification:**
- Overall Size: 1010 x 510
 - Main Bowl Size: 460 x 405
 - Reversible**
 - Finish: Fire-Clay Ceramic
 - Waste Kit: WKIT15/**



PORTLAND CPL10102WH/



- Specification:**
- Overall Size: 1010 x 510
 - Main Bowl Size: 350 x 410
 - Second Bowl Size: 135 x 257
 - Reversible
 - Finish: Fire-Clay Ceramic
 - Waste Kit: WKIT04/**



Portland Available as single & 1.5 bowl

Designed to sit elegantly within a variety of kitchen schemes, the charming Portland fire-clay ceramic sink bears a smooth, high gloss finish, being both easy to clean and extremely durable. A choice of single bowl or 1.5 bowl variants offers flexibility to suit your everyday use.



Accessories Available (to buy your accessories visit www.rangemastersinks.co.uk):



KA12 Draining Basket - Stainless steel

Tap Shown Above:



TRE1CM/ - Chrome Finish

Rustic Available as single & 1.5 bowl

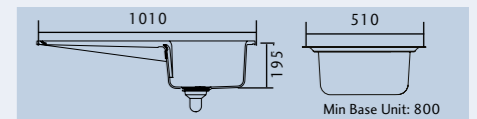
Rustic catches the morning light – and the eye. The single and 1.5 bowls are destined to become a firm favourite among those wanting complete freedom of choice over the configuration of their sink. Offering a modern or farmhouse feel, these sinks are beautifully easy to clean and fully cater for the needs of the enthusiastic chef.



RUSTIC CRT10101WH/



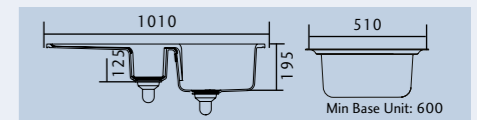
- Specification:**
- Overall Size: 1000 x 500
 - Main Bowl Size: 460 x 405
 - Reversible**
 - Finish: Fire-Clay Ceramic
 - Waste Kit: Included



RUSTIC CRT10202WH/



- Specification:**
- Overall Size: 1000 x 500
 - Main Bowl Size: 350 x 410
 - Second Bowl Size: 135 x 257
 - Reversible
 - Finish: Fire-Clay Ceramic
 - Waste Kit: Included



Accessories Available (to buy your accessories visit www.rangemastersinks.co.uk):



KA12 Draining Basket - Stainless steel

Tap Shown Above:

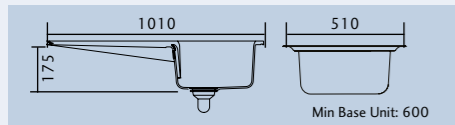


TRE1CM/ - Chrome Finish

NEVADA CNV1WH/



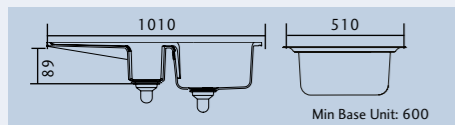
- Specification:**
- Overall Size: 1010 x 510
 - Main Bowl Size: 470 x 340
 - Reversible
 - Finish: Fire-Clay Ceramic
 - Waste Kit: WKIT15/**



NEVADA CNV2WH/



- Specification:**
- Overall Size: 1010 x 510
 - Main Bowl Size: 350 x 340
 - Second Bowl Size: 140 x 340
 - Reversible
 - Finish: Fire-Clay Ceramic
 - Waste Kit: WKIT22/**



Nevada White

Available as single & 1.5 bowl

The Nevada collection offers a unique blend of ceramic durability and ultra contemporary styling. Made from high quality fire-clay and glazed to a rich silky lustre, the Nevada is a joy to live with. With sleek bowls and a deep recessed drainer the sink is easy to clean and extremely hard wearing.



Accessories Available (to buy your accessories visit www.rangemastersinks.co.uk):



KA12 Draining Basket - Stainless steel

Tap Shown Above:

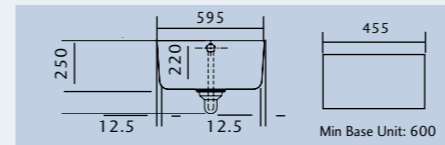


TQC1CM/ - Chrome Finish

CLASSIC BELFAST CCBL595WH/



- Specification:**
- Overall Size: 595 x 455
 - Bowl Size: 535 x 395
 - Reversible
 - Finish: Fire-Clay Ceramic
 - Waste Kit: WKIT13/**



Classic Belfast

There's very little that captures the true essence of a traditional British kitchen quite like a Belfast sink. Sometimes referred to as the butler sink, the large solid design typifies the very heart of the home. Finished in a high lustre white gloss, complete with a traditionally styled weir waste overflow.



Accessories Available (to buy your accessories visit www.rangemastersinks.co.uk):



KA12 Draining Basket - Stainless steel

Tap Recommended:



TBL3CM/ - Chrome Finish

Rustique Single Bowls

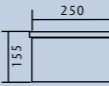
Fitted as either an inset or undermount sink the Rustique ceramic single bowls will provide a real focal point in the kitchen and contrast excellently to all colours and finishes.



RUSTIQUE CRUB4825WH/



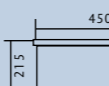
Can be fitted as inset or undermount sinks



RUSTIQUE CRUB4648WH/



Can be fitted as inset or undermount sinks



- Specification:**
- Overall Size: 475 x 250
 - Main Bowl Size: 405 x 180
 - Waste Kit: WKIT15/**

- Specification:**
- Overall Size: 475 x 450
 - Main Bowl Size: 405 x 380
 - Waste Kit: WKIT15/**

Accessories Available (to buy your accessories visit www.rangemastersinks.co.uk):



KA12 Draining Basket - Stainless steel

Tap Recommended:



TRE1CM/ - Chrome Finish

*Waste kits are available in either brass or chrome effect and must be ordered separately.



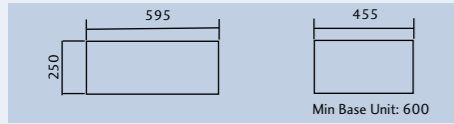
Image courtesy of www.solidwoodkitchencabinets.co.uk

FARMHOUSE BELFAST CFBL595WH/



Specification:

- Overall Size: 595 x 455
- Main Bowl Size: 535 x 395
- Finish: Fire-Clay Ceramic
- Waste Kit: Included



Farmhouse Belfast

Created to seamlessly blend modern living with a traditional country kitchen, the Farmhouse Belfast is a stylish alternative to a classic design. By incorporating the latest materials for reduced weight, alongside a more rounded and curvaceous bowl design, this fire-clay ceramic sink adds new appeal to its traditional aesthetics.



Accessories Available (to buy your accessories visit www.rangemastersinks.co.uk):



KA12 Draining Basket
- Stainless steel

Tap Recommended:



TBL3CM/ -
Chrome Finish

Double Bowl Belfast

Embrace the classic good looks of a Belfast-style sink. Made from high-grade fire-clay ceramic with ultra smooth surfaces throughout, the Double Bowl Belfast boasts extra large deep bowls - perfect for washing trays and pans that won't fit in the dishwasher.

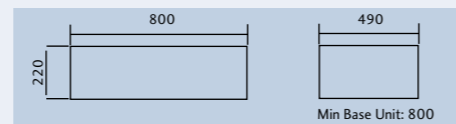


DOUBLE BOWL BELFAST CDB800WH/



Specification:

- Overall Size: 800 x 490
- Main Bowl Size: 360 x 455
- Second Bowl Size: 360 x 455
- Finish: Fire-Clay Ceramic
- Waste Kit: WKIT03/*



Accessories Available (to buy your accessories visit www.rangemastersinks.co.uk):



KA12 Draining Basket
- Stainless steel

Tap Recommended:



TAC2CM/ -
Chrome Finish



WATER. EVOLVED

- Consistent 98° hot with no gushing or spitting
 - Dual filtered cold
 - Child safe Hotfob™
- Anti-scale boiler technology
- 0.5 bar operating pressure

Rangemaster's latest addition is GEO; An evolution in 4-in-1 taps delivering domestic hot and cold, filtered cold and 98° hot.

Smart, efficient and safe; GEO offers safe dispensing of 98° water with its child-safe key fob system, smart anti-scale technology for hassle free maintenance and efficiently delivers over 100 cups of perfectly filtered 98° water an hour.



GEO CLASSIC TAP
GEO43CLACM/ Chrome
GEO43CLABF/ Brushed Finish



GEO TREND TAP
GEO43TRECM/ Chrome
GEO43TREBF/ Brushed Finish

www.geo-taps.co.uk



Taps & Waste Disposal Units

Rangemaster taps are the result of precision engineering and elegant styling. Each tap is designed to function impeccably and co-ordinate perfectly with Rangemaster's sink collection. Add a touch of aesthetic appeal to your kitchen by choosing from a wide selection of traditional and contemporary styles and a choice of finishes.



PRO SPRAY
TPR1CM/ Chrome



MINI PRO
TMP1CM/ Chrome



METRIX
TMX1CM/ Chrome
TMX1BF/ Brushed Finish



ASPIRE
TAI1CM/ Chrome
TAI1BF/ Brushed Finish



AQUATREND SPRING
TRE1SPRCM/ Chrome



**BELFAST MONOBLOC
SINGLE LEVER**
TBM1SLCM/ Chrome



**AQUATREND SINGLE LEVER
PULL OUT**
TRE1SLPOCM/ Chrome
TRE1SLPOBF/ Brushed Finish



AQUATREND PULL OUT
TRE1POCM/ Chrome
TRE1POBF/ Brushed Finish



**QUADRANT
SINGLE LEVER**
TQSL1CM/ Chrome
TQSL1BF/ Brushed Finish



**QUADRANT
MONOSTEM 2**
TMO2CM/ Chrome
TMO2BF/ Brushed Finish



**QUADRANT
CONTEMPORARY**
TQC1CM/ Chrome
TQC1BF/ Brushed Finish



BELFAST TRADITIONAL
TBL1CM/ Chrome
TBL1BF/ Brushed Finish



AQUATREND BLACK
TRE1BLCM/ Chrome
TRE1BLBF/ Brushed



AQUADISC 5 PULL OUT
TAD5POCM/ Chrome



AQUACLASSIC 2
TAC2CM/ Chrome

WH - White Handles
BL - Black Handles
CM - Chrome Handles

TAC2BF/ Brushed Finish



AQUADISC 1
TAD1CM/ Chrome



AQUATREND SINGLE LEVER
TRE1SLCM/ Chrome
TRE1SLBF/ Brushed



BELFAST MONOBLOC
TBM1CM/ Chrome
TBM1BF/ Brushed



AQUAPRO PULL OUT
TAP1CM/ Chrome
TAP1BF/ Brushed Finish



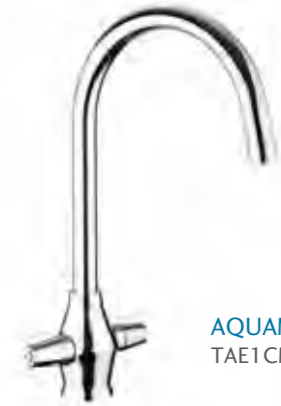
QUADRANT MONOBLOC
TQM1CM/ Chrome



MONORISE
TMR1CM/ Chrome
TMR1BF/ Brushed Finish



AQUADISC 5
TAD5CM/ Chrome



AQUAMODE 1
TAE1CM/ Chrome



AQUATREND 1
TRE1CM/ Chrome
TRE1BF/ Brushed Finish



CRUCIFORM
TCF2CM/ Chrome
TCF2BF/ Brushed Finish



ELLIPSE
TEP1CM/ Chrome
TEP1BF/ Brushed Finish



AQUAVIBE
TVB1CM/ Chrome
TVB1BF/ Brushed Finish



AQUADISC 3
TAD3CM/ Chrome
TAD3BF/ Brushed Finish



AQUAFLOW
TAF1CM/ Chrome



AQUACLASSIC 3
TAC3CM/ Chrome
TAC3BF/ Brushed Finish



AQUASPRAY 3
TAS3CM/ Chrome



TRADITIONAL BELFAST BRIDGE MIXER
TBL3CM/ Chrome

WH - White Handles
CM - Chrome Handles

TBL3BF/ Brushed Finish



SALORNO
TSN1CM/ Chrome
TSN1BF/ Brushed



AQUAVOGUE 1
TVO1CM/ Chrome
TVO1BF/ Brushed Finish



PARMA
TPM1CM/ Chrome
TPM1BF/ Brushed



MODERN BELFAST BRIDGE MIXER
TBL2CM/ Chrome

Spa Filter Taps

Reducing the impurities found in regular tap water, Rangemaster's filter tap co-ordinates with a water filter under the sink for pure tasting water. Simply pull the cold lever forward for mains water and back for filtered water.



AQUACLASSIC SPA FILTER TAP

TSA4CM/ Chrome

TSA4BF/ Brushed Finish



CRUCIFORM SPA FILTER TAP

TSA5CM/ Chrome

TSA5BF/ Brushed Finish

Waste Disposal Units

Rangemaster's range of waste disposers are clean, hygienic and easy to use. All units have a lifetime corrosion guarantee and contain Bio Shield, where disposers are treated with an antimicrobial agent moulded into the casing providing protection against odour causing bacterial growth. Available in four different sizes each model is easy and fast to install and can be fitted with only a standard mains connection.



ECONOMY 500
WDU500/

2 Year Warranty



STANDARD 700
WDU700/

3 Year Warranty



CONTINUOUS FEED 750
WDU750/

3 Year Warranty

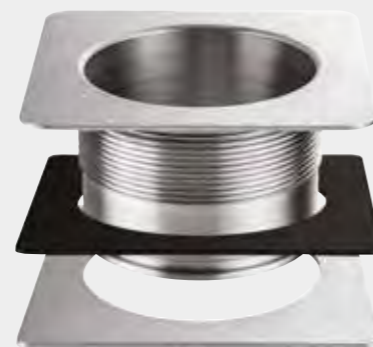


HEAVY DUTY 800
WDU800/

4 Year Warranty

Square Waste Adapter

The new square waste adaptor allows any of Rangemaster's high quality waste disposal units to be fitted onto model's with a square waste. Constructed from three easy to assemble parts, installation is quick and easy.



WDUSQUAD/

NB. These are only compatible with square waste sinks when using the square waste adapters. Always check with the sink installer when fitting a waste disposal unit with a ceramic sink.



RANGEMASTER
Built-in Range

GET THE *look*



12 PLACE INTEGRATED DISHWASHER



4 ZONE INDUCTION HOB



GEO TREND 4-IN-1 TAP



10 FUNCTION SINGLE OVEN



PREMIUM STEAM + WARMING DRAWER



UNDER COUNTER INTEGRATED FRIDGE

Rangemaster's latest collection of appliances that make cooking a pleasure; simple choices that marry innovation with versatility and style with practicality.

Beautiful styling, refined finish and a finesse that promises to inspire you in the kitchen.

BUILT-IN, BY RANGEMASTER
buitinrange.co.uk

Stainless Steel Sinks

| | Senator SN9951_/ | Senator SN9952_/ | Arlington AR9851_/ | Arlington AR9852_/ | Rockford RK9851_/ | Rockford RK9852_/ | Mezzo MZ10001_/ | Mezzo MZ10002_/ | Manhattan MN10101_/ |
|--------------------|---------------------|---------------------|-----------------------|-----------------------|----------------------|----------------------|--------------------|--------------------|------------------------|
| Drainer Position | Handed | Handed | Handed | Handed | Handed | Handed | Handed | Handed | Handed |
| No. of Bowls | 1 | 1 ½ | 1 | 1 ½ | 1 | 1 ½ | 1 | 1 ½ | 1 |
| Min Base Unit | 600 | 600 | 600 | 600 | 600 | 600 | 1000 | 1000 | 600 |
| Overall Length | 990 | 990 | 985 | 985 | 985 | 985 | 1000 | 1000 | 1010 |
| Overall Width | 525 | 525 | 508 | 508 | 508 | 508 | 605 | 605 | 515 |
| Cutout Size Length | 970 | 970 | 965 | 965 | 965 | 965 | - | - | 990 |
| Cutout Size Width | 505 | 505 | 488 | 488 | 488 | 488 | - | - | 495 |
| Main Bowl Length | 500 | 340 | 450 | 340 | 340 | 340 | 420 | 420 | 400 |
| Main Bowl Width | 400 | 400 | 420 | 420 | 420 | 420 | 400 | 400 | 420 |
| Main Bowl Depth | 195 | 195 | 190 | 190 | 190 | 190 | 190 | 190 | 190 |
| Second Bowl Length | - | 180 | - | 350 | - | 350 | - | 342 | - |
| Second Bowl Width | - | 400 | - | 160 | - | 160 | - | 156 | - |
| Second Bowl Depth | - | 136 | - | 130 | - | 130 | - | 120 | - |
| Material | 18/10 SS | 18/10 SS | 18/10 SS | 18/10 SS | 18/10 SS | 18/10 SS | 18/10 SS | 18/10 SS | 18/10 SS |
| Gauge mm | 1.2 | 1.2 | 0.9 | 0.9 | 0.9 | 0.9 | 1.2 | 1.2 | 0.9 |
| Finish Drainer | Brushed | Brushed | Micro-Sheen | Micro-Sheen | Micro-Sheen | Micro-Sheen | Micro-Sheen | Micro-Sheen | Micro-Sheen |
| Finish Bowl | Brushed | Brushed | Micro-Sheen | Micro-Sheen | Micro-Sheen | Micro-Sheen | Micro-Sheen | Micro-Sheen | Micro-Sheen |
| Waste Size mm | 90 square | 90 square | 90 square | 90 square | 89 | 89 | 89 | 2 x 89 | 89 |
| Waste Kit | BSW | BSW | BSW | BSW | BSW | BSW | BSW | BSW | BSW |
| Tap Hole Size ø mm | 1 x 35 | 1 x 35 | 1 x 35 | 1 x 35 | 1 x 35 | 1 x 35 | 1 x 35 | 1 x 35 | 1 x 35 |
| Guarantee (Years) | 25 | 25 | 25 | 25 | 25 | 25 | 25 | 25 | 25 |

| | Manhattan MN10102_/ | Manhattan MN10105_/ | Keyhole KY10001_/ | Keyhole KY10002_/ | Oakland OL9851_/ | Oakland OL9852_/ | Houston HS9851_/ | Houston HS9852_/ | Sedona SD9851_/ | Sedona SD9852_/ |
|--------------------|------------------------|------------------------|----------------------|----------------------|---------------------|---------------------|---------------------|---------------------|--------------------|--------------------|
| Drainer Position | Handed | N/A | Reversible | Reversible | Handed | Handed | Reversible | Reversible | Reversible | Reversible |
| No. of Bowls | 1 ½ | 2 | 1 | 1 ½ | 1 | 1 ½ | 1 | 1 ½ | 1 | 1 ½ |
| Min Base Unit | 600 | 1000 | 500 | 800 | 600 | 600 | 600 | 600 | 600 | 600 |
| Overall Length | 1010 | 1010 | 1000 | 1000 | 985 | 985 | 985 | 985 | 985 | 985 |
| Overall Width | 515 | 515 | 520 | 520 | 508 | 508 | 508 | 508 | 508 | 508 |
| Cutout Size Length | 990 | 990 | 980 | 980 | 965 | 965 | 965 | 965 | 965 | 965 |
| Cutout Size Width | 495 | 495 | 500 | 500 | 488 | 488 | 488 | 488 | 488 | 488 |
| Main Bowl Length | 350 | 400 | 420ø | 420ø | 450 | 360 | 400 | 350 | 400 | 350 |
| Main Bowl Width | 420 | 420 | 420ø | 420ø | 420 | 424 | 420 | 424 | 420 | 420 |
| Main Bowl Depth | 190 | 190 | 189 | 189 | 190 | 170 | 190 | 190 | 190 | 190 |
| Second Bowl Length | 156 | 400 | - | 156 | - | 156 | - | 156 | - | 156 |
| Second Bowl Width | 342 | 420 | - | 300 | - | 342 | - | 342 | - | 342 |
| Second Bowl Depth | 120 | 190 | - | 115 | - | 120 | - | 120 | - | 120 |
| Material | 18/10 SS | 18/10 SS | 18/10 SS | 18/10 SS | 18/10 SS | 18/10 SS | 18/10 SS | 18/10 SS | 18/10 SS | 18/10 SS |
| Gauge mm | 0.9 | 0.9 | 0.9 | 0.9 | 0.9 | 0.9 | 0.9 | 0.9 | 0.9 | 0.9 |
| Finish Drainer | Micro-Sheen | Micro-Sheen | Micro-Sheen | Micro-Sheen | Micro-Sheen | Micro-Sheen | Micro-Sheen | Micro-Sheen | Micro-Sheen | Micro-Sheen |
| Finish Bowl | Micro-Sheen | Micro-Sheen | Micro-Sheen | Micro-Sheen | Micro-Sheen | Micro-Sheen | Micro-Sheen | Micro-Sheen | Micro-Sheen | Micro-Sheen |
| Waste Size mm | 2 x 89 | 2 x 89 | 89 | 2 x 89 | 89 | 2 x 89 | 89 | 2 x 89 | 89 | 2 x 89 |
| Waste Kit | BSW | BSW | BSW | BSW | BSW | BSW | BSW | BSW | BSW | BSW |
| Tap Hole Size ø mm | 1 x 35 | 1 x 35 | - | - | 1 x 35 | 1 x 35 | 1 x 35 | 1 x 35 | 1 x 35 | 1 x 35 |
| Guarantee (Years) | 25 | 25 | 25 | 25 | 25 | 25 | 25 | 25 | 25 | 25 |

| | Michigan MG8001/ | Michigan MG9501/ | Michigan MG9502/ | Glendale GL9501/ | Glendale GL9502/ | Baltimore BL8001/ | Baltimore BL9501/ | Baltimore BL9502/ |
|--------------------|---------------------|---------------------|---------------------|---------------------|---------------------|----------------------|----------------------|----------------------|
| Drainer Position | Reversible | Reversible | Reversible | Reversible | Reversible | Reversible | Reversible | Reversible |
| No. of Bowls | 1 | 1 | 1 ½ | 1 | 1 ½ | 1 | 1 | 1 ½ |
| Min Base Unit | 500 | 500 | 600 | 500 | 600 | 450 | 600 | 600 |
| Overall Length | 800 | 950 | 950 | 950 | 950 | 800 | 950 | 950 |
| Overall Width | 508 | 508 | 508 | 508 | 508 | 508 | 508 | 508 |
| Cutout Size Length | 780 | 930 | 930 | 930 | 930 | 780 | 930 | 930 |
| Cutout Size Width | 488 | 488 | 488 | 488 | 488 | 488 | 488 | 488 |
| Main Bowl Length | 360 | 360 | 360 | 360 | 360 | 340 | 420 | 340 |
| Main Bowl Width | 424 | 424 | 424 | 424 | 424 | 424 | 400 | 410 |
| Main Bowl Depth | 155 | 155 | 155 | 155 | 155 | 150 | 160 | 160 |
| Second Bowl Length | - | - | 151 | - | 156 | - | - | 175 |
| Second Bowl Width | - | - | 300 | - | 342 | - | - | 320 |
| Second Bowl Depth | - | - | 120 | - | 120 | - | - | 80 |
| Material | 18/10 SS | 18/10 SS | 18/10 SS | 18/10 SS | 18/10 SS | 18/10 SS | 18/10 SS | 18/10 SS |
| Gauge mm | 0.7 | 0.7 | 0.7 | 0.7 | 0.7 | 0.7 | 0.7 | 0.8 |
| Finish Drainer | Micro-Sheen | Micro-Sheen | Micro-Sheen | Micro-Sheen | Micro-Sheen | Micro-Sheen | Micro-Sheen | Micro-Sheen |
| Finish Bowl | Micro-Sheen | Micro-Sheen | Micro-Sheen | Micro-Sheen | Micro-Sheen | Micro-Sheen | Micro-Sheen | Micro-Sheen |
| Waste Size mm | 1 x 89 | 1 x 89 | 2 x 89 | 89 | 2 x 89 | 89 | 89 | 2 x 89 |
| Waste Kit | BSW | BSW | BSW | BSW | BSW | BSW | BSW | BSW |
| Tap Hole Size ø mm | 1 x 35 | 1 x 35 | 1 x 35 | 1 x 35 | 1 x 35 | 1 x 35 | 1 x 35 | 1 x 35 |
| Guarantee (Years) | 25 | 25 | 25 | 25 | 25 | 25 | 25 | 25 |

Kube Undermount Sinks

| | Kube KUB18/ | Kube KUB34/ | Kube KUB40/ | Kube KUB50/ | Kube KUB70/ | Kube KUB3418_/ | Kube KUB4040/ | Kube KUB5018_/ |
|--------------------|----------------|----------------|----------------|----------------|----------------|-------------------|------------------|-------------------|
| Drainer Position | - | - | - | - | - | Handed | - | Handed |
| No. of Bowls | 1 | 1 | 1 | 1 | 1 | 1 ½ | 2 | 1 ½ |
| Min Base Unit | 300 | 400 | 500 | 600 | 800 | 600 | 900 | 800 |
| Overall Length | 210 | 370 | 430 | 530 | 730 | 580 | 860 | 740 |
| Overall Width | 430 | 430 | 430 | 430 | 430 | 430 | 430 | 430 |
| Cutout Size Length | - | - | - | - | - | - | - | - |
| Cutout Size Width | - | - | - | - | - | - | - | - |
| Main Bowl Length | 180 | 340 | 400 | 500 | 700 | 340 | 400 | 500 |
| Main Bowl Width | 400 | 400 | 400 | 400 | 400 | 400 | 400 | 400 |
| Main Bowl Depth | 140 | 200 | 200 | 200 | 200 | 200 | 200 | 200 |
| Second Bowl Length | - | - | - | - | - | 180 | 400 | 180 |
| Second Bowl Width | - | - | - | - | - | 400 | 400 | 400 |
| Second Bowl Depth | - | - | - | - | - | 140 | 200 | 140 |
| Material | 18/10 SS | 18/10 SS | 18/10 SS | 18/10 SS | 18/10 SS | 18/10 SS | 18/10 SS | 18/10 SS |
| Gauge mm | 1.0 | 1.0 | 1.0 | 1.0 | 1.2 | 1.0 | 1.0 | 1.0 |
| Finish Drainer | Micro-Sheen | Micro-Sheen | Micro-Sheen | Micro-Sheen | Micro-Sheen | Micro-Sheen | Micro-Sheen | Micro-Sheen |
| Finish Bowl | Micro-Sheen | Micro-Sheen | Micro-Sheen | Micro-Sheen | Micro-Sheen | Micro-Sheen | Micro-Sheen | Micro-Sheen |
| Waste Size mm | 90 Square | 90 Square | 90 Square | 90 Square | 90 Square | 90 Square | 90 Square | 90 Square |
| Waste Kit | BSW | BSW | BSW | BSW | BSW | BSW | BSW | BSW |
| Tap Hole Size ø mm | - | - | - | - | - | - | - | - |
| Guarantee (Years) | 25 | 25 | 25 | 25 | 25 | 25 | 25 | 25 |

Quad Undermount Sinks

| | Quad QUB16/ | Quad QUB18/ | Quad QUB34/ | Quad QUB48/ | Quad QUB3416_/ | Quad QUB3418_/ | Quad QUB3434/ | Quad QUB4818_/ |
|--------------------|-------------|-------------|-------------|-------------|----------------|----------------|---------------|----------------|
| Drainer Position | - | - | - | - | Handed | Handed | - | Handed |
| No. of Bowls | 1 | 1 | 1 | 1 | 1 ½ | 1 ½ | 2 | 1 ½ |
| Min Base Unit | 300 | 300 | 400 | 600 | 600 | 600 | 800 | 800 |
| Overall Length | 200 | 234 | 390 | 530 | 580 | 600 | 760 | 740 |
| Overall Width | 340 | 450 | 450 | 450 | 450 | 450 | 450 | 450 |
| Cutout Size Length | - | - | - | - | - | - | - | - |
| Cutout Size Width | - | - | - | - | - | - | - | - |
| Main Bowl Length | 160 | 180 | 340 | 480 | 340 | 340 | 340 | 480 |
| Main Bowl Width | 300 | 400 | 400 | 400 | 400 | 400 | 400 | 400 |
| Main Bowl Depth | 115 | 120 | 185 | 195 | 185 | 180 | 185 | 195 |
| Second Bowl Length | - | - | - | - | 160 | 180 | 340 | 180 |
| Second Bowl Width | - | - | - | - | 300 | 400 | 400 | 400 |
| Second Bowl Depth | - | - | - | - | 115 | 120 | 185 | 120 |
| Material | 18/10 SS | 18/10 SS | 18/10 SS | 18/10 SS | 18/10 SS | 18/10 SS | 18/10 SS | 18/10 SS |
| Gauge mm | 0.8 | 0.8 | 0.8 | 0.8 | 0.8 | 0.8 | 0.8 | 0.8 |
| Finish Drainer | Micro-Sheen | Micro-Sheen | Micro-Sheen | Micro-Sheen | Micro-Sheen | Micro-Sheen | Micro-Sheen | Micro-Sheen |
| Finish Bowl | Micro-Sheen | Micro-Sheen | Micro-Sheen | Micro-Sheen | Micro-Sheen | Micro-Sheen | Micro-Sheen | Micro-Sheen |
| Waste Size mm | 90 Square | 90 Square | 90 Square | 90 Square | 90 Square | 90 Square | 90 Square | 90 Square |
| Waste Kit | BSW | BSW | BSW | BSW | BSW | BSW | BSW | BSW |
| Tap Hole Size ø mm | - | - | - | - | - | - | - | - |
| Guarantee (Years) | 25 | 25 | 25 | 25 | 25 | 25 | 25 | 25 |

Classic Undermount Sinks

| | Classic UB15/ | Classic UB35/ | Classic UB40/ | Classic UB45/ | Classic UB3515_/ | Classic UB4015_/ | Classic UB3535/ | Classic UB4035/ | Classic UB4040/ |
|--------------------|---------------|---------------|---------------|---------------|----------------------|------------------|-----------------|-----------------|-----------------|
| Drainer Position | - | - | - | - | Reversible or Handed | Handed | - | - | - |
| No. of Bowls | 1 | 1 | 1 | 1 | 1 ½ | 1 ½ | 2 | 1 ¾ | 2 |
| Min Base Unit | 300 | 400 | 500 | 600 | 600 | 800 | 800 | 1000 | 1000 |
| Overall Length | 185 | 378 | 460 | 490 | 597 | 671 | 787 | 945 | 945 |
| Overall Width | 370 | 448 | 440 | 460 | 472 | 460 | 472 | 460 | 460 |
| Cutout Size Length | - | - | - | - | - | - | - | - | - |
| Cutout Size Width | - | - | - | - | - | - | - | - | - |
| Main Bowl Length | 156 | 350 | 420 | 450 | 350 | 420 | 350 | 420 | 420 |
| Main Bowl Width | 342 | 420 | 400 | 420 | 420 | 400 | 420 | 400 | 400 |
| Main Bowl Depth | 120 | 190 | 190 | 190 | 190 | 190 | 190 | 190 | 190 |
| Second Bowl Length | - | - | - | - | 156 | 156 | 350 | 420 | 420 |
| Second Bowl Width | - | - | - | - | 342 | 342 | 420 | 350 | 400 |
| Second Bowl Depth | - | - | - | - | 120 | 120 | 190 | 190 | 190 |
| Material | 18/10 SS | 18/10 SS | 18/10 SS | 18/10 SS | 18/10 SS | 18/10 SS | 18/10 SS | 18/10 SS | 18/10 SS |
| Gauge mm | 0.8 | 0.8 | 0.9 | 0.9 | 0.9 | 0.9 | 0.9 | 0.9 | 0.9 |
| Finish Drainer | Micro-Sheen | Micro-Sheen | Micro-Sheen | Micro-Sheen | Micro-Sheen | Micro-Sheen | Micro-Sheen | Micro-Sheen | Micro-Sheen |
| Finish Bowl | Micro-Sheen | Micro-Sheen | Micro-Sheen | Micro-Sheen | Micro-Sheen | Micro-Sheen | Micro-Sheen | Micro-Sheen | Micro-Sheen |
| Waste Size mm | 89 | 89 | 89 | 89 | 2 x 89 | 2 x 89 | 2 x 89 | 2 x 89 | 2 x 89 |
| Waste Kit | BSW | BSW | BSW | BSW | BSW | BSW | BSW | BSW | BSW |
| Tap Hole Size ø mm | - | - | - | - | - | - | - | - | - |
| Guarantee (Years) | 25 | 25 | 25 | 25 | 25 | 25 | 25 | 25 | 25 |

Igneous Sinks

| | Magma MAG1051/ | Magma MAG1052/ | Amethyst AME860/ | Amethyst AME1051/ | Amethyst AME1052/ | Scoria SCO1051/ | Scoria SCO1052/ | Andesite AND1051/ | Andesite AND1052/ | Paragon PAR3115/ |
|--------------------|----------------|----------------|------------------|-------------------|-------------------|-----------------|-----------------|-------------------|-------------------|------------------|
| Drainer Position | Reversible | Reversible | Reversible | Reversible | Reversible | Reversible | Reversible | Reversible | Reversible | Right Hand Only |
| No. of Bowls | 1 | 1 ½ | 1 | 1 | 1 ½ | 1 | 1 ½ | 1 | 1 ½ | 1 ½ |
| Min Base Unit | 600 | 600 | 450 | 600 | 600 | 600 | 600 | 600 | 600 | 600 |
| Overall Length | 1000 | 1000 | 860 | 1000 | 1000 | 1000 | 1000 | 1000 | 1000 | 550 |
| Overall Width | 500 | 500 | 500 | 500 | 500 | 500 | 500 | 500 | 500 | 430 |
| Cutout Size Length | 980 | 980 | 840 | 980 | 980 | 980 | 980 | 980 | 980 | 520 |
| Cutout Size Width | 480 | 480 | 480 | 480 | 480 | 480 | 480 | 480 | 480 | 400 |
| Main Bowl Length | 483 | 343 | 348 | 482 | 341 | 480 | 345 | 480 | 345 | 310 |
| Main Bowl Width | 500 | 500 | 500 | 422 | 500 | 440 | 440 | 430 | 430 | 370 |
| Main Bowl Depth | 225 | 210 | 204 | 220 | 204 | 200 | 200 | 200 | 200 | 200 |
| Second Bowl Length | - | 120 | - | - | 161 | - | 155 | - | 155 | 152 |
| Second Bowl Width | - | 315 | - | - | 301 | - | 295 | - | 340 | 370 |
| Second Bowl Depth | - | 138 | - | - | 148 | - | 146 | - | 146 | 130 |
| Material | Igneous | Igneous | Igneous | Igneous | Igneous | Igneous | Igneous | Igneous | Igneous | Igneous |
| Gauge | - | - | - | - | - | - | - | - | - | - |
| Finish Drainer | - | - | - | - | - | - | - | - | - | - |
| Finish Bowl | - | - | - | - | - | - | - | - | - | - |
| Waste Size mm | 1 x 90 | 1 x 90, 1 x 70 | 1 x 90 | 1 x 90 | 2 x 90 | 1 x 90 | 2 x 90 | 1 x 90 | 2 x 90 | 2 x 90 |
| Waste Kit | BSW | BSW | BSW | BSW | BSW | BSW | BSW | BSW | BSW | BSW |
| Tap Hole Size ø mm | - | - | - | - | - | - | - | - | - | - |
| Guarantee (Years) | 25 | 25 | 25 | 25 | 25 | 25 | 25 | 25 | 25 | 25 |

Neo-Rock Sinks

| | Cubix CX9851/ | Cubix CX9852/ | Lunar LU9851/ | Lunar LU9852/ |
|--------------------|---------------|---------------|---------------|---------------|
| Drainer Position | Reversible | Reversible | Reversible | Reversible |
| No. of Bowls | 1 | 1 ½ | 1 | 1 ½ |
| Min Base Unit | 600 | 600 | 600 | 600 |
| Overall Length | 985 | 985 | 985 | 985 |
| Overall Width | 508 | 508 | 508 | 508 |
| Cutout Size Length | 965 | 965 | 965 | 965 |
| Cutout Size Width | 488 | 488 | 488 | 488 |
| Main Bowl Length | 500 | 350 | 498 | 344 |
| Main Bowl Width | 428 | 428 | 428 | 428 |
| Main Bowl Depth | 180 | 180 | 195 | 195 |
| Second Bowl Length | - | 160 | - | 160 |
| Second Bowl Width | - | 355 | - | 428 |
| Second Bowl Depth | - | 153 | - | 125 |
| Material | Neo-Rock | Neo-Rock | Neo-Rock | Neo-Rock |
| Gauge | - | - | - | - |
| Finish Drainer | Granite | Granite | Granite | Granite |
| Finish Bowl | Granite | Granite | Granite | Granite |
| Waste Size mm | 89 | 2 x 89 | 89 | 2 x 89 |
| Waste Kit | BSW | BSW | BSW | BSW |
| Tap Hole Size ø mm | 1 x 35 | 1 x 35 | 1 x 35 | 1 x 35 |
| Guarantee (Years) | 25 | 25 | 25 | 25 |

Fire-Clay Ceramic Sinks

+ / - 5mm

| | Portland CPL10101WH/ | Portland CPL10102WH/ | Rustic CRT10101WH/ | Rustic CRT10202WH/ | Nevada CNV1WH/ | Nevada CNV2WH/ |
|--------------------|-------------------------|-------------------------|-----------------------|-----------------------|-------------------|-------------------|
| Drainer Position | Reversible | Reversible | Reversible | Reversible | Reversible | Reversible |
| No. of Bowls | 1 | 1 ½ | 1 | 1 ½ | 1 | 1 ½ |
| Min Base Unit | 800 | 600 | 600 | 600 | 600 | 600 |
| Overall Length | 1010 | 1010 | 1000 | 1000 | 1010 | 1010 |
| Overall Width | 510 | 510 | 500 | 500 | 510 | 510 |
| Cutout Size Length | 990 | 990 | 980 | 980 | 990 | 990 |
| Cutout Size Width | 490 | 490 | 480 | 480 | 490 | 490 |
| Main Bowl Length | 460 | 350 | 390 | 390 | 470 | 350 |
| Main Bowl Width | 405 | 410 | 460 | 360 | 340 | 340 |
| Main Bowl Depth | 195 | 195 | 198 | 198 | 185 | 190 |
| Second Bowl Length | - | 135 | - | 147 | - | 140 |
| Second Bowl Width | - | 257 | - | 260 | - | 340 |
| Second Bowl Depth | - | 125 | - | 120 | - | 89 |
| Material | Fire-clay | Fire-clay | Fire-clay | Fire-clay | Fire-clay | Fire-clay |
| Gauge | - | - | - | - | - | - |
| Finish Drainer | White | White | White | White | White | White |
| Finish Bowl | White | White | White | White | White | White |
| Waste Size mm | 89 | 2 x 89 | 90 | 1 x 90, 1 x 60 | 89 | 2 x 89 |
| Waste Kit | BSW | BSW | BSW | BSW | BSW | BSW |
| Tap Hole Size ø mm | - | - | - | - | - | - |
| Guarantee (Years) | 10 | 10 | 10 | 10 | 10 | 10 |

| | Classic Belfast CCBL595WH/ | DB Belfast CDB800WH/ | Farmhouse Belfast CFBL595WH/ | Rustique CRUB4825WH/ | Rustique CRUB4648WH/ |
|--------------------|-------------------------------|-------------------------|---------------------------------|-------------------------|-------------------------|
| Drainer Position | - | - | - | - | - |
| No. of Bowls | 1 | 2 | 1 | 1 | 1 |
| Min Base Unit | 600 | 800 | 600 | 300 | 500 |
| Overall Length | 595 | 800 | 595 | 475 | 475 |
| Overall Width | 455 | 490 | 455 | 250 | 450 |
| Cutout Size Length | - | - | - | - | - |
| Cutout Size Width | - | - | - | - | - |
| Main Bowl Length | 535 | 445 | 535 | 405 | 405 |
| Main Bowl Width | 395 | 360 | 395 | 180 | 380 |
| Main Bowl Depth | 220 | 185-195 | 222 | 155 | 215 |
| Second Bowl Length | - | 445 | - | - | - |
| Second Bowl Width | - | 360 | - | - | - |
| Second Bowl Depth | - | 185-195 | - | - | - |
| Material | Fire-clay | Fire-clay | Fire-clay | Fire-clay | Fire-clay |
| Gauge | - | - | - | - | - |
| Finish Drainer | White | White | White | White | White |
| Finish Bowl | White | White | White | White | White |
| Waste Size mm | 52 | 2 x 89 | 60 | 89 | 89 |
| Waste Kit | BSW | BSW | BSW | BSW | BSW |
| Tap Hole Size ø mm | - | - | - | - | - |
| Guarantee (Years) | 10 | 10 | 10 | 10 | 10 |

Taps

| | Aquavibe TVB1_/ | Aquadisc 3 TAD3_/ | Aquaflow TAF1CM/ | Modern Bridge TBL2CM/ | Monorise TMR1_/ | Aquaclassic 2 TAC2_/ | Aquadisc 1 TAD1CM/ | Aquamode 1 TAE1_/ | Trad. Bridge TBL3_/ | Aquavogue TVO1_/ |
|-------------------------|--------------------|----------------------|---------------------|--------------------------|--------------------|-------------------------|-----------------------|----------------------|------------------------|---------------------|
| Minimum Pressure (bar) | 0.5 | 0.2 | 0.2 | 0.1 | 0.5 | 0.3 | 0.3 | 0.3 | 0.3 | 0.3 |
| Maximum Pressure (bar) | 5.5 | 5.5 | 5.5 | 5.5 | 5.5 | 5.5 | 5.5 | 5.5 | 5.5 | 5.5 |
| Overall Tap Height (mm) | 287 | 210 | 163 | 370 | 363 | 359 | 278 | 353 | 355 | 398 |
| Spout Exit Reach (mm) | 214 | 210 | 230 | 215 | 194 | 190 | 193 | 190 | 192 | 216 |
| Spout Exit Height (mm) | 247 | 185 | 140 | 245 | 233 | 229 | 245 | 222 | 243 | 272 |

| | Aquatrend TRE1_/ | Cruciform TCF2_/ | Ellipse TEP1_/ | Aquaclassic 3 TAC3_/ | Aquaspray 3 TAS3CM/ | Belfast Trad. TBL1_/ | Aquapro TAP1_/ | Quad. SL TQSL1_/ | Quad. Cont. TQC1_/ | Q. Monobloc TQM1_/ |
|-------------------------|---------------------|---------------------|-------------------|-------------------------|------------------------|-------------------------|-------------------|---------------------|-----------------------|-----------------------|
| Minimum Pressure (bar) | 0.3 | 0.3 | 0.6 | 0.3 | 1.5 | 0.1 | 0.5 | 0.5 | 0.4 | M0.5 |
| Maximum Pressure (bar) | 5.5 | 5.5 | 5.5 | 5.5 | 5.5 | 5.5 | 5.5 | 5.5 | 5.5 | 5.5 |
| Overall Tap Height (mm) | 379 | 392 | 277 | 380 | 180 | 368 | 285 | 317 | 291 | 335 |
| Spout Exit Reach (mm) | 216 | 216 | 185 | 216 | 200 | 190 | 210 | 219 | 219 | 200 |
| Spout Exit Height (mm) | 253 | 265 | 210 | 254 | 120 | 260 | 250 | 297 | 271 | 230 |

| | Q. Monstem 2 TMO2_/ | Metrix TMX1_/ | Aspire TAI1_/ | Pro Spray TPR1CM/ | Aquaclassic Spa TSA4_/ | Cruciform Spa TSA5_/ | Mini Pro TMP1_/ | Aquatrend Spring TRE1SPRCM/ | Belfast Monobloc Single Lever TBM1SLCM/ | Aquatrend Single Lever Pull Out TRE1SLPO_/ |
|-------------------------|------------------------|------------------|------------------|----------------------|---------------------------|-------------------------|--------------------|--------------------------------|---|--|
| Minimum Pressure (bar) | 0.5 | 0.5 | 0.4 | 1.5 | 0.2 | 0.2 | 0.75 | 0.5 | 0.6 | 1.5 |
| Maximum Pressure (bar) | 5.5 | 5.5 | 5.5 | 5.5 | 5.5 | 5.5 | 5.5 | 5.5 | 5.5 | 5.5 |
| Overall Tap Height (mm) | 275 | 263 | 365 | 535 | 392 | 392 | 454 | 528 | 390 | 390 |
| Spout Exit Reach (mm) | 206 | 220 | 231 | 184 | 216 | 216 | 230 | 188 | 216 | 220 |
| Spout Exit Height (mm) | 250 | 243 | 230 | 225 | 265 | 265 | 211 | 200 | 264 | 205 |

| | Aquatrend Pull Out TRE1PO_/ | Aquatrend Black TRE1BL_/ | Aquadisc 5 Pull Out TAD5POCM/ | Belfast Monobloc TBM1CM/ | Aquatrend Single Lever TRE1SL_/ | Parma TPM1_/ | Aquadisc 5 TAD5_/ | Salorno TSN1CM/ |
|-------------------------|--------------------------------|-----------------------------|-------------------------------------|-----------------------------|------------------------------------|-----------------|----------------------|--------------------|
| Minimum Pressure (bar) | 1.5 | 0.3 | 0.75 | 0.3 | 0.4 | 0.3 | 0.3 | 0.4 |
| Maximum Pressure (bar) | 5.5 | 5.5 | 5.5 | 5.5 | 5.5 | 5.5 | 5.5 | 5.5 |
| Overall Tap Height (mm) | 388 | 379 | 275 | 343 | 390 | 389 | 277 | 232 |
| Spout Exit Reach (mm) | 220 | 216 | 218 | 193 | 216 | 216 | 212 | 207 |
| Spout Exit Height (mm) | 203 | 253 | 244 | 232 | 264 | 263 | 247 | 203 |

Geo Taps

| | Trend GEO43TRE_/ | Classic GEO43CLA_/ |
|---------------------------|---------------------|-----------------------|
| Minimum pressure | 0.5 | 0.5 |
| Maximum pressure | 5.5 | 5.5 |
| Tap Height | 425mm | 425mm |
| Tap Reach | 216mm | 216mm |
| Height from base to spout | 298mm | 298mm |
| Tap Warranty | 5 years | 5 years |

Geo Boiler

| | |
|-------------------------------|--------------------|
| Minimum Boiler Inlet Pressure | 2 bar |
| Boiler Type | Vented |
| Power Rating | 2800W |
| Capacity | 3L |
| Min Temp | 80°C |
| Max Temp | 98°C |
| Boiler Warranty | 2 Years |
| Boiler Dimensions | 175 x 400 x 410 |

RANGEmaster

sinks & taps

Clarence Street
Royal Leamington Spa
Warwickshire
CV31 2AD
England

Consumer Services: +44 (0)800 804 6241 or 0370 789 5107 from a mobile.

Fax: +44 (0)1926 450526

E-mail: consumers@agarangemaster.co.uk

www.rangemastersinks.co.uk

For Trade Enquiries Tel: +44 (0)115 946 4000

Fax: +44 (0)115 973 6602

E-mail: tradesales@agarangemaster.co.uk

Registered in England and Wales. Registration No. 354715

Registered Office: Juno Drive, Leamington Spa, Warwickshire, CV31 3RG

Rangemaster continuously seeks improvements in specification, design and production of products and thus, alterations take place periodically. Whilst every effort is made to produce up-to-date literature, this brochure should not be regarded as an infallible guide to current specification, nor does it constitute an offer for the sale of any particular product.

January 2017
01/17/D007989