



BOSCH

Invented for life

Built-in Appliances

2018



Who are Bosch?



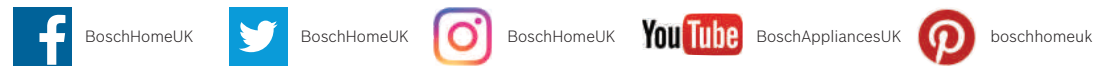
“I have always acted according to the principle that it is better to lose money than trust. The integrity of my promises, the belief in the value of my products and in my word of honour have always had a higher priority to me than a transitory profit.”

Robert Bosch, 1921

For over 125 years, the Bosch name has been synonymous with engineering excellence. Our home appliances are renowned for their quality, reliability and performance which derives from our inherent, unflagging commitment and the painstaking thoroughness with which every unit is made. As you would expect from Bosch, there are no gimmicks or frills with our products – just pure, clean lines and beautiful, functional simplicity that will enhance any kitchen.

The values that shaped Robert Bosch’s vision for his new company in 1886 are the same principles that guide the business today; never lose the trust of your customers, look after your staff and partners and change things for the better. It’s what has kept Bosch at the forefront of the home appliance industry and what will keep it there in the future.

Follow us to learn more on:



Contents

Customer service	2	Hobs	20-37	Home Laundry	52-55
Home Connect	3	Introducing the Bosch electric hob range	20-21	Introducing the Bosch home laundry range	52-53
Ovens	4-19	FlexInduction hobs	22-25	Washing machines & washer dryers	54-55
Introducing the Bosch oven range	4-6	Induction hobs	26-28	Dishwashers	56-63
Single pyrolytic ovens	7-9	Quick-Therm ceramic hobs	28-29	Introducing our advanced dishwasher range	56-57
Single ovens	9-10	Sealed plate electric hobs	29	60cm integrated dishwashers	58-61
Double ovens	11	Introducing the Bosch gas hob range	30-31	45cm integrated dishwashers	62
Built-under double ovens	12	Gas hobs	32-36	Refrigeration	64-79
Compact ovens	13-16	Domino hobs	37	Introducing our advanced refrigeration range	64-65
Compact coffee centre	16	Hoods	38-51	Fridge freezers	66-69
Warming drawers	16-17	Introducing the Bosch hood range	38-39	Fridges & freezers	69-74
Built-in microwave ovens	17-19	Downdraft Hood	40	Built-under fridges & freezers	75
		Island and ceiling hoods	41-42	American-style fridge freezers	76-79
		Angled hoods	42-43	Specification guide	81-140
		Flat slimline hoods and wall cube hood	44		
		Chimney hoods with glass	45		
		Pyramid and box chimney hoods	46-47		
		Telescopic hoods	48		
		Canopy hoods	49		
		Integrated hoods	50		
		Conventional hoods	50		



Looking for help? You'll find it here.

For help with your home appliance, trust Bosch Customer Service.

Arrange an engineer visit.

Our appliances are manufactured to the highest standards, but if you do need a visit from an engineer we are here to help. We have teams of locally based engineers around the country – employed and trained by Bosch*. This gives them unrivalled expertise and knowledge of our appliances. We repair appliances both in and out of guarantee. All repairs are analysed in advance by a technical team so that the parts likely to be needed to complete the repair are sent to the engineer's van the night before the visit.

To arrange an engineer visit to your home please call:

0344 892 8979

Lines are open 24 hours.

Calls are charged at the basic rate, please check with your telephone service provider for exact charges.

You can also arrange an engineer visit online: [bosch-home.co.uk/customer-service/repair-service/book-engineer-online](https://www.bosch-home.co.uk/customer-service/repair-service/book-engineer-online)

Product advice.

If you need help using programmes or features, or need assistance selecting a new Bosch appliance from our current range, our product advice team can help.

You can call us on

0344 892 8979

or visit: [bosch-home.co.uk](https://www.bosch-home.co.uk) for frequently asked questions and helpful videos.

Register my appliance

We advise that you register your appliances so that we can contact you about any product updates. Visit registermyappliance.org.uk for more information.

You can also call Bosch directly to register your appliance on 0344 892 8979 (option 5). Please call us within 28 days of purchase to discuss the full range of options for extending your warranty.

Visit the Bosch online store.

Find a comprehensive selection of accessories to help you get the most out of your appliance, along with our full range of replacement spare parts and cleaning and care products at the Bosch online store.

You can also purchase Tassimo hot drinks machines, vacuum cleaners, irons, steam stations, kettles, toasters and food preparation appliances directly from us online.



You can call us on

0344 892 8979

or visit: [bosch-home.co.uk/store](https://www.bosch-home.co.uk/store)

Accessories.

Many appliances can be enhanced with optional extras, such as telescopic rails for ovens or special cookware for hobs.

When buying a Bosch home appliance, you know you are purchasing a quality, reliable product. However many appliances are used daily, so need cleaning and maintaining to keep them looking great and operating at peak performance.

Our cleaning and care products have been thoroughly tested and approved for safe and effective use on your Bosch home appliance.

Replacement spare parts.

We keep in stock a comprehensive range of replacement spare parts for our appliances for up to ten years. All our parts are original spare parts, not copies.

High quality service.

Bosch home appliances are renowned for their quality and we believe that our customers deserve exceptional customer service. You can contact us seven days a week for assistance.

Calls will be answered

**Monday to Friday 8am to 8pm,
Saturday 9am to 5pm and
Sunday 9am to 4pm.**

*In some areas we may use an approved service partner. The process may vary for repairs carried out by our service partners.

Your life at home just got even easier.

From controlling your Home Connect Serie 8 oven with your voice using Amazon Alexa, to never running out of dishwasher tablets again, thanks to the Amazon Dash Replenishment Service*. Smart appliances mean less things to think about, more time to spend on something else. With Bosch Home Appliances featuring Home Connect, your home is ready for the future today.

From first installation to regular operation and maintenance, Bosch appliances with Home Connect are designed to save you time and effort. The connected appliances can be monitored and operated remotely via your smart device assisting you in achieving perfect results. Bosch appliances with Home Connect allow you to perceive a new quality of interaction by experiencing a reliable and secure wireless connection to the appliance on all your smart devices.

Learn more at:

[bosch-home.co.uk/bosch-innovations/homeconnect](https://www.bosch-home.co.uk/bosch-innovations/homeconnect)

Look out for our Home Connect models.

How you can use your Home Connect App:

- Easy installation and pairing
- Remote monitoring and control
- Program selection and start
- Run service programs
- Cameras in the fridge and storage guide
- Coffee preferences and coffee playlist
- Remote diagnostics
- Cooking and recipe information
- Link to online shop
- Digital user manual
- Easy settings
- Installation service
- Tips and tricks



Home connect

Home Connect is a service offered by Home Connect GmbH.

For more information on Home Connect please visit www.bosch-home.co.uk

Download on the App Store

GET IT ON Google play

*Set up of Amazon Dash Replenishment Service is required.

Making life easy through innovative technologies

Introducing the Bosch oven range.

Whatever kind of cook you are, we have a range of smart and stylish built-in single or double ovens for you to choose from. Serve up vitamin-packed meals using one of our innovative added steam ovens or, if limited on space, our easy to use microwaves and compact appliances will bring style and function to any kitchen.



Model shown: HBS534BW08

Serie 8 +++

With their impressive technology, elegant design and sensor-controlled programmes, our **Serie 8** ovens meet every need and more in the kitchen. The innovative control wheel provides full control over your dishes at all times.

Serie 6 ++

Simple elegance meets superior technology. **Serie 6** ovens give you more than just convenient operation and maximum energy efficiency. Modern functionality means your oven is easy to use with various programmes to suit different foods.

Serie 4 +

Modern design, quality engineering and practicality. Our **Serie 4** oven range looks stunning inside and out. Easy to use functionality with a selection of cooking programmes to choose from.

Whichever model you choose from our Serie ranges, you'll find lots of reasons to love your Bosch oven.

Combination design.

Using the highest quality stainless steel and glass, our ovens and compact appliances combine beautifully to deliver a timeless, elegant and stylish finish to any kitchen with sleek, co-ordinated lines and matching panels.

Combination possibilities.

Create seamless lines in your kitchen with our Serie ranges by combining a single oven together with one of our compact appliances and warming drawers. For the optimum in design co-ordination, choose appliances belonging to the same Serie family to create seamless lines in your kitchen.

Energy efficient.

Everything we know about energy-saving, green technology has been integrated into our range of feature-rich, built-in ovens.

Perfectly even results, every time.

Truly perfect baking and roasting requires not only the ideal temperature, but also the appropriate heating mode. From 4D HotAir to Hotair Gentle, our ovens offer up to 15 different heating functions that deliver great results, whatever the dish.



Model shown: HBA5570S08

Cooking functions explained.



4D HotAir

Place your food on any of the four shelf levels to achieve consistently perfect results: thanks to the fan wheel that changes the direction of rotation during operation to distribute heat evenly on every level.



3D HotAir

By maintaining the right temperature across all three shelf levels, consistently even cooking results are achieved.



Top and bottom heat

Conventional baking and roasting on one level.



Top/Bottom heat gentle

Conventional baking and roasting on one level using residual heat, allowing you to gently cook meat, fish and baked items.



Hotair grilling

By operating alternatively, the grill and fan create a rotisserie effect, perfect for creating crisp meats and poultry.



Bottom heat

Only the bottom element is heated – ideal for pastry cases, bain-marie cooking and reheating.



Pizza setting

Create authentic pizzas with crisp bases and moist toppings. Also great for quiches, tarts and frozen foods.



Centre Grill

Use the centre grill for smaller quantities and more efficiency.



Hotair Gentle

For all those times you cook using just one shelf level, Hotair Gentle gives perfect results.



Full width variable grill

Grill large quantities with ease thanks to the precise temperature control. For added efficiency the door can be closed and the smells are kept in the oven.



Defrost

Gently defrosts food evenly and quicker than it would take on the kitchen counter.



Fast heat

For those times when you need your food ready more quickly, select fast heat to warm the oven faster.



Single point probe

The single point meat probe constantly measures the temperature at the core of the roast and as soon as the desired temperature is reached gives an acoustic and switches off automatically.



Perfect Roast Meat probe

Three highly sensitive measuring points determine the core temperature of your food to the exact degree, guaranteeing perfect roasting results and taking away the guesswork.



Added Steam

Produces succulent roasts, with juicy meats and crispy skins, as well as breads with the perfect colour and crust.



Pyrolytic cleaning

Heats the oven to around 480°C, which reduces dirt and grease deposits to dust that can be easily wiped away.

Perfect results every day of the week with Serie 8.

Perfect results at your fingertips.

Discover our sensor-controlled functions with **BoschAssist**, **PerfectBake** and **PerfectRoast**. This feature automatically sets precise information on temperatures and cooking times for all kinds of dishes, plus you can simply scroll through to find our intuitive baking and roasting functions.

Put a new spin on your cooking.

You'll always have a complete overview and full control of all your oven's functions. The intuitive control wheel and full-width, high-resolution clear-text **TFT-touch display** with **DirectSelect TouchControl** buttons make operating our ovens a breeze. Clear, vivid images and helpful prompts guide you through each step as you navigate through the various programme options.

Perfect cooking results every time.

Your Home Connect-enabled oven can be operated from our Home Connect app, allowing you to monitor your appliance remotely and it turn on and off whenever you want. Receive reminders of when your food is ready, so you'll never over cook again! Also, why not explore our range of recipes and cooking tips and tricks all inside the app, to give you an extra helping hand in the kitchen.

Even heat. Maximum flexibility.

Thanks to **4D HotAir**, you can place your food on any of the four shelf levels and the results will be consistently perfect. Our motor and fan wheel design makes it possible: it changes the direction of rotation during operation to distribute heat evenly on every level. And that's not all: with **4D HotAir**, you can also bake and roast on up to four different levels simultaneously. So you'll enjoy reliable results from top to bottom.

Single pyrolytic ovens

Serie 8 +++

HRG6769S6B



Main Cooking Functions



Full steam ahead – for full taste.

The Serie 8 single oven HRG6769S6B combines the best of a steamer with benefits of a classic oven. Equipped with the **added steam function**, this oven produces succulent roasts, with juicy meats and crispy skins, as well as breads with the perfect crust. Full steam option is available in our compact ovens range.

Specifications

TFT-touch display with Cleartext
Stainless steel control wheel
Added steam function
SoftClose, SoftOpen door
Pyrolytic self-cleaning
BoschAssist
3 x LED lights
PerfectRoast meat probe
PerfectBake sensor
15 cooking functions including 4D HotAir
3 telescopic rails
Combination with Serie 8 compact appliances possible



Single pyrolytic ovens

Serie 8 +++

HBG6764S6B



Main Cooking Functions



Alternative colour
HBG6764B6B
Black

Specifications

- TFT-touch display with Cleartext
- Stainless steel control wheel
- SoftClose, SoftOpen door
- Pyrolytic self-cleaning
- BoschAssist
- 1 interior halogen light
- PerfectRoast meat probe
- PerfectBake sensor
- 13 cooking functions including 4D HotAir
- 1 telescopic rail
- Combination with Serie 8 compact appliances possible

Serie 8 +++

HBG674BS1B



Main Cooking Functions



Alternative colour
HBG674BB1B
Black

Specifications

- TFT-touch display with direct select buttons
- Stainless steel control wheel
- SoftClose, SoftOpen door
- Pyrolytic self-cleaning
- 1 interior halogen light
- 13 cooking functions, including 4D HotAir
- Combination with Serie 8 compact appliances possible

Single pyrolytic ovens

Serie 4 +

HBS573BS0B



Main Cooking Functions



Specifications

- 2 retractable control dials
- White LCD display
- Pyrolytic self-cleaning
- 1 interior halogen light
- 5 cooking functions, including 3D HotAir
- Suitable for a 13A connection
- 2 Piece slim pan set
- AutoPilot10
- Combination with Serie 4 compact appliances with red LED display possible

Single ovens

Serie 8 +++

HBG656RS6B



Main Cooking Functions



Alternative colour
HBG656RB6B
Black

Specifications

- TFT-touch display with Cleartext
- Stainless steel control wheel
- SoftClose, SoftOpen door
- EcoClean® Direct: back, roof and side liners
- BoschAssist
- 1 interior halogen light
- PerfectRoast meat probe
- PerfectBake sensor
- 13 cooking functions, including 4D HotAir
- 1 telescopic rail
- Combination with Serie 8 compact appliances possible

Single pyrolytic ovens

Serie 6 ++

HBG5785S0B



Main Cooking Functions



Specifications

- 2 retractable control dials
- White LCD display
- Drop down SoftClose door
- Pyrolytic self-cleaning
- 1 interior halogen light
- Single point meat probe
- 10 cooking functions, including 3D HotAir
- 1 level independent telescopic rail
- Suitable for a 13A connection
- AutoPilot30
- Combination with Serie 6 compact appliances with white LCD display possible

Serie 6 ++

HBA5780S0B



Main Cooking Functions



Specifications

- 2 retractable control dials
- White LCD display
- Pyrolytic self-cleaning
- 1 interior halogen light
- 10 cooking functions, including 3D HotAir
- 1 level independent telescopic rail
- Suitable for 13A connection
- AutoPilot30
- Combination with Serie 6 compact appliances with white LCD display possible

Single ovens

Serie 8 +++

HBG634BS1B



Main Cooking Functions



Alternative colour
HBG634BB1B
Black

Specifications

- TFT-touch display with direct select buttons
- Stainless steel control wheel
- SoftClose, SoftOpen door
- EcoClean® Direct: back liner
- 1 interior halogen light
- 13 cooking functions, including 4D HotAir
- Combination with Serie 8 compact appliances possible

Need to know more or get expert advice?

For in-depth appliance details please refer to the Product Specification section at the back of this brochure. To understand more about the innovative features on our appliances visit www.bosch-home.co.uk

Single ovens

Serie 6 ++

HBG5585S0B



Main Cooking Functions



Specifications

- 2 retractable control dials
- White LCD display
- Drop down SoftClose door
- EcoClean Direct: back, roof and side liners
- 1 interior halogen light
- Single point meat probe
- 10 cooking functions, including 3D HotAir
- 1 level independent telescopic rail
- Suitable for 13A connection
- AutoPilot30
- Combination with Serie 6 compact appliances with white LCD display possible

Serie 6 ++

HBA5570S0B



Main Cooking Functions



Specifications

- 2 retractable control dials
- White LCD display
- EcoClean Direct: back, roof and side liners
- 1 interior halogen light
- 7 cooking functions, including 3D HotAir
- 1 level independent telescopic rail
- Suitable for 13A connection
- AutoPilot10
- Combination with Serie 6 compact appliances with white LCD display possible

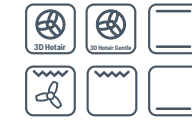
Built-in double ovens

Serie 6 ++

MBA5575S0B



Main Cooking Functions



Top Cooking Functions



Specifications

- Retractable control dials
- White LCD display
- EcoClean Direct: back, roof and side liners in both ovens
- Interior halogen light in both ovens
- Single point meat probe (main)
- 4 cooking functions (top)
- 7 cooking functions, including 3D HotAir (main)
- 1 level independent telescopic rail (main)
- AutoPilot10 (main)

Serie 6 ++

MBA5350S0B



Main Cooking Functions



Top Cooking Functions



Specifications

- Retractable control dials
- White LCD display
- EcoClean Direct: back liner (main)
- EcoClean Direct: back, roof and side liners (top)
- Interior halogen light in both ovens
- 4 cooking functions (top)
- 5 cooking functions, including 3D HotAir (main)
- 1 level independent telescopic rail (main)
- AutoPilot10 (main)

Single ovens

Serie 4 +

HBS534BS0B



Main Cooking Functions



Specifications

- 2 retractable control dials
- Red LED display
- EcoClean Direct: back panel
- 1 interior halogen light
- 7 cooking functions, including 3D HotAir
- Suitable for 13A connection
- 2 Piece slim pan set
- Combination with Serie 4 compact appliance with red LED display possible



Alternative colours
[HBS534BB0B](#) Black
[HBS534BW0B](#) White

Need to know more or get expert advice?

For in-depth appliance details please refer to the Product Specification section at the back of this brochure. To understand more about the innovative features on our appliances visit www.bosch-home.co.uk

Built-in double ovens

Serie 4 ++

MBS533BS0B



Main Cooking Functions



Top Cooking Functions



Specifications

- Retractable control dials
- Red LED display
- EcoClean Direct: back liner (main)
- Interior halogen light in both ovens
- 3 cooking functions (top)
- 5 cooking functions, including 3D HotAir (main)
- 2 Piece slim pan set

Alternative colours
[MBS533BB0B](#) Black
[MBS533BW0B](#) White

Built-under double ovens

Serie 6 ++

NBA5570S0B



Main Cooking Functions



Top Cooking Functions



Specifications

Retractable control dials

White LCD display

EcoClean Direct: back, roof and side liners in both ovens

Interior halogen light in both ovens

4 cooking functions (top)

7 cooking functions, including 3D HotAir (main)

1 level independent telescopic rail (main)

Serie 6 ++

NBA5350S0B



Main Cooking Functions



Top Cooking Functions



Specifications

Retractable control dials

White LCD display

EcoClean Direct: back liner (main)

EcoClean Direct: back, roof and side liners (top)

Interior halogen light in both ovens

4 cooking functions (top)

5 cooking functions, including 3D HotAir (main)

1 level independent telescopic rail (main)

Built-under double ovens

Serie 4 ++

NBS533BS0B



Main Cooking Functions



Top Cooking Functions



Specifications

Retractable control dials

Red LED display

EcoClean Direct: back liner (main)

Interior halogen light in both ovens

3 cooking functions (top)

5 cooking functions, including 3D HotAir (main)

2 Piece slim pan set



Alternative colours

NBS533BB0B Black



NBS533BW0B White

Compact ovens

Serie 8 +++

CBG675BS1B



Main Cooking Functions



Specifications

Stainless steel control wheel

TFT-touch display with direct select buttons

Pyrolytic self-cleaning

3 shelf positions

Halogen interior light

SoftClose, SoftOpen door

Electronic clock timer

13 main cooking functions, including 4D HotAir, Hotair Gentle, reheating

Suitable for combination with Serie 8 single ovens

Inverter Technology

Inverter Technology delivers microwave power constantly while cooking – other, traditional microwaves, are only able to deliver maximum power and manage the differing settings by alternating between on and off for specific time periods. This can result in uneven heating or over-cooked food and can be especially damaging to more delicate foods or smaller portions.

With Inverter technology, the microwave delivers power constantly, gradually managing the power levels down over time in order to control the food temperature. This gentle approach to cooking reduces uneven heating or overheated food and is especially beneficial for delicate foods. It may be necessary to adjust cooking times to ensure foods are thoroughly cooked before serving.

Bosch recommends that the maximum power setting be used for heating liquids and the microwave is calibrated to provide a burst of high power initially, before managing the power down in stages to the next level over the first few minutes.

Fits every kitchen. And every need.

Our range of compact appliances are the stand-out choice.

Not just because of their superior performance and convenience, but also because their sophisticated design extends down to the smallest detail. They combine beautifully to deliver a timeless finish to any

kitchen. Whether your preference is for a steam oven or a microwave, our compact ovens are designed so that you can team them up with other compact appliances, warming drawers, and single ovens within our Serie families. They all fit together in complete harmony.

Ovens with integral microwave ¹

When teamed with a single oven, Bosch compact ovens with microwave offer a great alternative to a double oven if you require more space for traditional cooking. Designed first and foremost to function as an oven, with construction, features and functions identical to a traditional single oven, these models benefit from the addition of microwaves at low medium power (max. 360W) to deliver oven-led combination cooking, which speeds up the cooking process while retaining traditional cooking results.

Microwave Combination Ovens ¹

These models are designed to provide more functionality than a solo microwave oven, focussing on combination cooking, with the microwave using higher power (max. 600W) to lead the cooking process, supported by Hotair or grill functions to deliver speedy crisp and browned results. Based around a more traditional microwave functionality these models offer the perfect solution if regular microwave heating is the priority, but with the back-up of separate or combination Hotair cooking and grill functionality if required.

¹ These models are designed to operate best in combination mode, so when heating using microwave only, it may be necessary to adjust cooking times.

Compact steam ovens

Serie 8 +++

CSG656BS6B



Main Cooking Functions



Specifications

Stainless steel control wheel

TFT-touch display with Cleartext

EcoClean® Direct: back, roof and sides

LED light

SoftClose, SoftOpen door

12 main cooking functions, including 4D HotAir, Hotair Gentle, steam cooking, reheating

Suitable for combination with Serie 8 single ovens

Serie 8 +++

CDG634BS1B



Main Cooking Functions



Specifications

Stainless steel control wheel

TFT-touch display with direct select buttons

Interior light

SoftClose, SoftOpen door

Multiple functions, including steam cooking, reheating, dough proving, Defrost, descaling programme, auto-boiling point detection

Suitable for combination with Serie 8 single ovens

Compact ovens with microwave

Serie 8 +++

CMG656BS6B



Main Cooking Functions



Specifications

Stainless steel control wheel

TFT-touch display with Cleartext

EcoClean® Direct: back, roof and side liners

SoftClose, SoftOpen door

LED light

BoschAssist

12 main functions, including 4D HotAir, Hotair Gentle

Suitable for combination with Serie 8 single ovens

Microwave inverter technology



Alternative colour
CMG656BB6B
 Black

Serie 8 +++

CMG633BS1B



Main Cooking Functions



Specifications

Stainless steel control wheel

TFT-touch display with direct select buttons

SoftClose, SoftOpen door

LED light

14 automatic programmes

6 main functions, including 4D HotAir, microwave and microwave combi function

Suitable for combination with Serie 8 single ovens

Microwave inverter technology



Alternative colour
CMG633BB1B Black

Compact ovens with microwave

Serie 8 +++

CNG6764S6B



Main Cooking Functions



Specifications

Stainless steel control wheel

TFT-touch display with Cleartext

Pyrolytic self-cleaning

SoftClose, SoftOpen door

LED light

BoschAssist

PerfectRoast meat probe

PerfectBake sensor

14 main functions, including 4D HotAir, Hotair Gentle, combi microwave variable function, steam reheating, dough proving and added steam

Suitable for combination with Serie 8 single ovens

Microwave inverter technology

Serie 8 +++

CMG676BS6B



Main Cooking Functions



Specifications

Stainless steel control wheel

TFT-touch display with Cleartext

Pyrolytic self-cleaning

SoftClose, SoftOpen door

LED light

BoschAssist

12 main functions, including 4D HotAir, Hotair Gentle, combi microwave variable function

Suitable for combination with Serie 8 single ovens

Microwave inverter technology

Compact microwave oven

Serie 8 +++

CFA634GS1B



Main Cooking Functions



Specifications

Built-in microwave

Stainless steel control wheel

TFT-touch display with direct select buttons

5 microwave power settings: 90W, 180W, 360W, 600W, max. power 900W

7 automatic programmes

Suitable for combination with Serie 8 single ovens

Microwave inverter technology

Compact steam and microwave combination oven

Serie 6 ++

CPA565GS0B



Main Cooking Functions



Specifications

3-in-1 oven, microwave and steam combination oven with white LCD display

Retractable control dials

30 automatic programmes

3 steam settings

Drop down door

LED light

Multiple combinations of microwave, steam and oven functions possible

5 microwave power levels; max. power 1000W

Suitable for combination with Serie 6 single ovens

Microwave inverter technology

Need to know more or get expert advice?

For in-depth appliance details please refer to the Product Specification section at the back of this brochure.
 To understand more about the innovative features on our appliances visit www.bosch-home.co.uk

Compact microwave combination oven

Microwave combination oven

Warming drawers

Serie 6 ++

CMA585MS0B



Main Cooking Functions



Specifications

White LCD display
Retractable control dials
15 automatic programmes
Drop down door
LED light
Microwave and microwave combi function
5 microwave power levels; max. power 900W
Suitable for combination with Serie 6 single ovens

Serie 4 ++

CMA583MS0B



Main Cooking Functions



Specifications

Red LED display
Retractable control dials
15 automatic programmes
Drop down door
LED light
Microwave and microwave combi function
5 microwave power levels; max. power 900W
Suitable for combination with Serie 4 single ovens

Serie 8 +++

BIC630NS1B



Specifications

4 functions: dough proving, low temperature cooking, hold warm, plate warming
Easy to clean toughened glass heating plate
Can accommodate up to 12 plates / 64 espresso cups
Adjustable temperature 40-80°C
Max weight capacity 25kg
Suitable for combination with Serie 8 single ovens

Serie 8 +++

BIC630NB1B



Specifications

4 functions: dough proving, low temperature cooking, hold warm, plate warming
Easy to clean toughened glass heating plate
Can accommodate up to 12 plates / 64 espresso cups
Adjustable temperature 40-80°C
Max weight capacity 25kg
Suitable for combination with Serie 8 single ovens

Coffee centre

Warming drawers

Warming drawers

Built-in microwave ovens

Serie 8 +++

CTL636ES6



Specifications

Electronic control
SilentCeram Drive
CoffeeSensor Pro grinding unit
Milk froth, warm milk and hot water available
OneTouch preparation: Ristretto, Espresso, Espresso Macchiato, Coffee, Cappuccino, Latte Macchiato, Caffè Latte, AromaDouble Shot, OneTouch DoubleCup
TFT display with interactive menu
MyCoffee: save 8 favourite beverages
2.4L removable water tank

Serie 8 +++

BID630NS1B



Specifications

4 functions: dough proving, low temperature cooking, hold warm, plate warming
Easy to clean toughened glass heating plate
Can accommodate up to 40 plates / 192 espresso cups
Adjustable temperature 40-80°C
Max weight capacity 25kg
Suitable for combination with Serie 8 single ovens

Serie 6 & Serie 4 +++

BIC510NS0B



Specifications

3 functions; dough proving, hold warm, plate warming
Can accommodate up to 14 plates / 64 espresso cups
Adjustable temperature 40-80°C
Max. weight capacity 15kg
Suitable for combination with Serie 4 and Serie 6 single ovens

Serie 8 +++

BEL634GS1B





Specifications


Microwave oven with grill
Stainless steel control wheel
TFT colour and text display with DirectSelect buttons
10 automatic programmes
Left-hinged side opening door
LED light
3 combination microwave and grill power levels
5 microwave power levels; max power 900W
Suitable for 13A connection
Suitable for combination in column with Serie 8 single ovens
Microwave inverter technology

Need to know more or get expert advice?




For in-depth appliance details please refer to the Product Specification section at the back of this brochure. To understand more about the innovative features on our appliances visit www.bosch-home.co.uk


Built-in microwave ovens

Serie 8 +++	
BFL634GS1B	Specifications
Capacity 21L	Stainless steel control wheel
	TFT colour and text display with DirectSelect buttons
	7 automatic programmes
Alternative colour BFL634GB1B Black	Left-hinged side opening door
	LED light
	5 microwave power levels; max power 900W
	Suitable for 13A connection
	Suitable for combination in column with Serie 8 single ovens
	Microwave inverter technology


Serie 6 ++	
BFL554MS0B	Specifications
Capacity 25L	White LED display
	Retractable control dial
	1 memory function
	7 automatic programmes
	Left-hinged side opening door
	LED light
	5 microwave power levels; max. power 900W
	For installation in tall housing
	Suitable for combination with Serie 6 single ovens


Built-in microwave ovens

Serie 4 ++	
BFL553MS0B	Specifications
Capacity 25L	Red LED display
	Retractable control dial
	7 automatic programmes
	Left-hinged side opening door
	LED light
	5 microwave power levels; max. power 900W
	For installation in tall housing
	Suitable for combination with Serie 4 single ovens
	Alternative colour BFL553MB0B Black BFL553MW0B White
	




Serie 4 ++	
BEL523MS0B	Specifications
Capacity 20L	Red LED display
	Retractable control dial
	1000W quartz grill
	1 memory setting
	8 automatic programmes
	Left-hinged side opening door
	LED light
	1 combination function
	5 microwave power levels; max. power 800W
	For installation in tall housing and into a 60cm wide wall unit
	Suitable for combination with Serie 4 single ovens


Built-in microwave ovens

Serie 6 ++	
BFL524MS0B	Specifications
Capacity 20L	White LED display
	Retractable control dial
	1 memory function
	7 automatic programmes
	Left-hinged side opening door
	LED light
	5 microwave power levels; max. power 800W
	For installation in tall housing and into a 60cm wide wall unit
	Suitable for combination with Serie 6 single ovens

Serie 4 +	
BEL553MS0B	Specifications
Capacity 25L	Red LED display
	Retractable control dial
	1200W quartz grill
	1 memory function
	8 automatic programmes
	Left-hinged side opening door
	LED light
	1 combination function
	5 microwave power levels; max. power 900W
	For installation in tall housing
	Suitable for combination with Serie 4 single ovens

Built-in microwave ovens

Serie 4 ++	
BFL523MS0B	Specifications
Capacity 20L	Red LED display
	Retractable control dial
	7 automatic programmes
	Left-hinged side opening door
	LED light
	5 microwave power levels; max. power 800W
	For installation in tall housing and into a 60cm wide wall unit
	Suitable for combination with Serie 4 single ovens
	Alternative colour BFL523MB0B Black BFL523MW0B White
	

Serie 2 +	
HMT75M551B	Specifications
Capacity 17L	Red LED display
	1 retractable control dial
	Push buttons
	1 memory function
	3 weight cooking programmes
	4 weight auto-defrost programmes
	Left-hinged door
	1 interior light
	5 microwave power levels; max power 800W
	For installation into a 50cm wide wall unit

Need to know more or get expert advice?

For in-depth appliance details please refer to the Product Specification section at the back of this brochure.
To understand more about the innovative features on our appliances visit www.bosch-home.co.uk

Introducing the Bosch electric hob range.

As you would expect from Bosch, all our electric hobs are made using high quality materials, are easy to use and add contemporary elegance to any kitchen.

To help you choose the right electric hob for your home we have divided them into the three ranges below.



Serie 8 +++

Our **Serie 8** range of electric hobs combines convenience and elegant design, allowing you to select individual cooking zones and power levels. All controlled at just the touch of a button with the modern touch control.

Serie 6 ++

Expect excellent operation and timeless designs with our **Serie 6** range of hobs. You'll get premium engineering and materials so that you can always cook something a little bit special. Get ultimate control with the easy to use DirectSelect touch control.

Serie 4 +

Featuring a range of **Serie 4** electric hobs that are convenient and simple to operate, our essential range maintains classic design with contemporary style.

Model shown: PXY875KW1E

Whichever model you choose from our Serie ranges, you'll find lots of reasons to love your Bosch electric hob.

PerfectCook

May your pasta never boil over again. Our hobs are designed with a sensor so you'll be able to control your cooking by the temperature in the pan rather than the power level. So whether you're defrosting, warming up, cooking or deep fat frying, you're in control with our smart **CookingSensor**. Because precise temperature control guarantees perfect cooking results.

PerfectFry

Enjoy perfectly cooked steak, however you like it. Our clever **FryingSensor** measures the temperature in the pan for perfect results. So when you're reducing a sauce, the heat will be low and gentle, and when you want a high heat for frying a steak, you'll have precisely the right temperature. Say goodbye to overcooking and undercooking your favourite meals. This feature requires the additional purchase of a **FryingSensor** frying pan to operate. Available from www.bosch-home.co.uk/store.

Twice as fast as gas.

Induction hobs can heat food and boil water nearly twice as fast as gas and three times faster than ceramic hobs*. And as they're also more energy efficient, you'll save money as well as time.

Cooking that's designed around you.

Ultimate flexibility with FlexInduction. One, two or three pots, or even a large casserole: the Bosch FlexInduction hob leaves it up to you. At the flick of a switch, you can combine two induction zones into a large induction surface on which you can cook the way you want.



Even more flexibility.

Available on selected Serie 8 FlexInduction hobs, the **Extended FlexInduction zone** offers optimum flexibility. The amount of usable surface on the hob is maximised to accommodate even the largest of cookware. With **CombiZone**, two cooking zones can be linked, making the switch from small to large pans effortless. Plus, the **MoveMode function** automatically switches from boil to simmer with a simple slide of the saucepan.

*Based on time required to heat 2 litres of water at 15°C to 90°C using Bosch hobs. In accordance with EN 50304/ EN 60350: 2009.



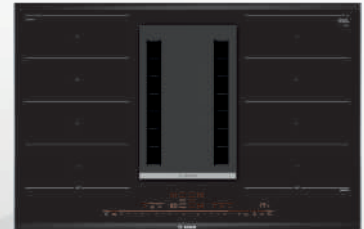
Model shown: PXX675DV1E

Making **life easy** through innovative technologies

FlexInduction hobs

Serie 8 +++

PXX875D34E



Specifications
2 FlexInduction zones
DirectSelect Premium
PerfectFry sensor
PerfectCook sensor ready
MoveMode
Automatic setting transfer
PerfectAir sensor
EcoSilence Drive™ motor
17 power levels
2-stage residual heat indicators (H/h)
Boost setting for all zones
Automatic pan recognition
Timer for all zones
Count up timer

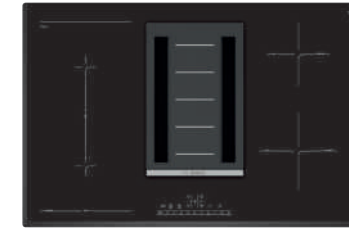
The perfect combination.

The PerfectAir venting hob removes odours at source, leading to fewer cooking smells in the kitchen. It can be easily installed into the work surface to suit any kitchen design and has the added convenience of being easy to clean. Thanks to the PerfectFry sensor and PerfectCook sensor on the hob, you can achieve perfect results whether you're frying or boiling.

FlexInduction hobs

Serie 6 ++

PVS851F21E



Specifications
4 Induction zones
2 Combi Zones
DirectSelect Control
2-stage move mode
EcoSilence Drive™ motor
Auto-on extraction
17 power levels
2-stage residual heat indicators (H/h)
Boost setting for all zones
Automatic pan recognition
Timer for all zones

Serie 8 +++

PXX975KW1E

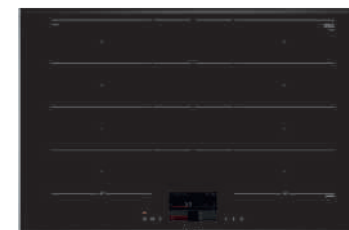


Specifications
TFT control
5 cooking zones
MoveMode
PerfectFry sensor
PerfectCook sensor ready
Automatic setting transfer
Hob hood control
17 power levels
2-stage residual heat indicators (H/h)
Boost setting for all zones
Automatic pan recognition
Timer for all zones
Count up timer
Compatible with Bosch domino hobs

FlexInduction hobs

Serie 8 +++

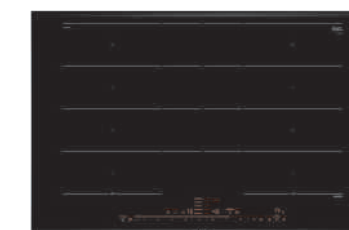
PXY875KW1E



Specifications
TFT control
Extended FlexZone
MoveMode
PerfectFry sensor
PerfectCook sensor ready
Automatic setting transfer
Hob hood control
17 power levels
2-stage residual heat indicators (H/h)
Boost setting for all zones
Automatic pan recognition
Timer for all zones
Count up timer
Compatible with Bosch domino hobs

Serie 8 +++

PXY875DE3E



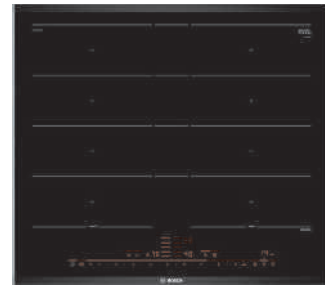
Specifications
DirectSelect Premium
Extended FlexZone
MoveMode
PerfectFry sensor
PerfectCook sensor (1 x supplied)
Automatic setting transfer
17 power levels
2-stage residual heat indicators (H/h)
Boost setting for all zones
Automatic pan recognition
Timer for all zones
Count up timer
Compatible with Bosch domino hobs



FlexInduction hobs

Serie 8 +++

PXY675DE3E



Specifications

- DirectSelect Premium
- Extended FlexZone
- MoveMode
- PerfectFry sensor
- PerfectCook sensor (1 x supplied)
- Automatic setting transfer
- 17 power levels
- 2-stage residual heat indicators (H/h)
- Boost setting for all zones
- Automatic pan recognition
- Timer for all zones
- Count up timer
- Compatible with Bosch domino hobs

Serie 8 +++

PXV875DV1E



Specifications

- DirectSelect Premium
- MoveMode
- PerfectFry sensor
- Automatic setting transfer
- 17 power levels
- 2-stage residual heat indicators (H/h)
- Boost setting for all zones
- Automatic pan recognition
- Timer for all zones
- Count up timer
- Compatible with Bosch domino hobs

FlexInduction hobs

Serie 6 +++

PXX275FC1E

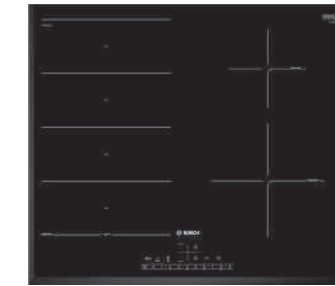


Specifications

- DirectSelect
- PerfectFry sensor
- Automatic Setting Transfer
- 17 power levels
- 2-stage residual heat indicators (H/h)
- Boost setting for all zones
- Automatic pan recognition
- Timer for all zones

Serie 6 +++

PXE651FC1E



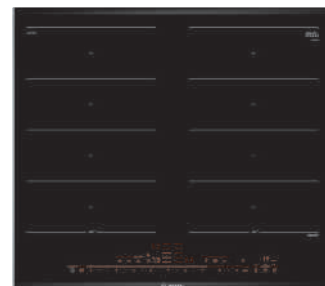
Specifications

- DirectSelect
- PerfectFry sensor
- Automatic Setting Transfer
- 17 power levels
- 2-stage residual heat indicators (H/h)
- Boost setting for all zones
- Automatic pan recognition
- Timer for all zones

FlexInduction hobs

Serie 8 +++

PXX675DV1E



Specifications

- DirectSelect Premium
- MoveMode
- PerfectFry sensor
- Automatic Setting Transfer
- 17 power levels
- 2-stage residual heat indicators (H/h)
- Boost setting for all zones
- Automatic pan recognition
- Timer for all zones
- Count up timer
- Compatible with Bosch domino hobs

Serie 8 +++

PXV851FC1E



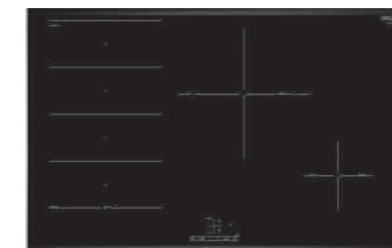
Specifications

- DirectSelect
- PerfectFry sensor
- Automatic Setting Transfer
- 17 power levels
- 2-stage residual heat indicators (H/h)
- Boost setting for all zones
- Automatic pan recognition
- Timer for all zones

FlexInduction hobs

Serie 4 +

PXE875BB1E

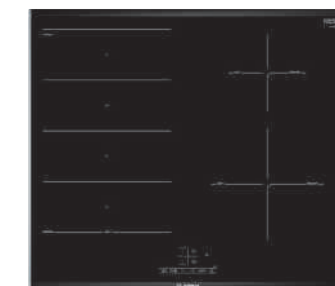


Specifications

- Touch control
- 17 power levels
- 2-stage residual heat indicators (H/h)
- Boost setting for all zones
- Automatic pan recognition
- Timer for all zones

Serie 4 +

PXE675BB1E



Specifications

- Touch control
- 17 power levels
- 2-stage residual heat indicators (H/h)
- Boost setting for all zones
- Automatic pan recognition
- Timer for all zones

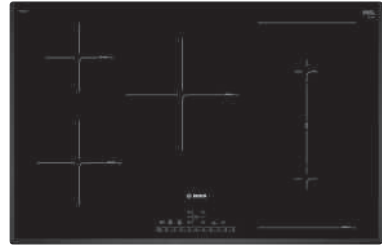
Need to know more or get expert advice?

For in-depth appliance details please refer to the Product Specification section at the back of this brochure. To understand more about the innovative features on our appliances visit www.bosch-home.co.uk

Induction hobs

Serie 6 ++

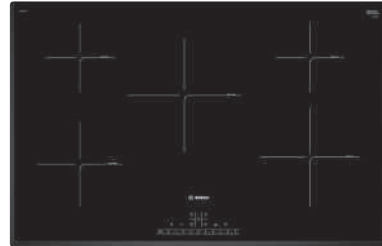
PVW851FB1E



Specifications
DirectSelect
CombiZone
17 power levels
2-stage residual heat indicators (H/h)
Boost setting for all zones
Automatic pan recognition
Timer for all zones

Serie 6 ++

PIV851FB1E

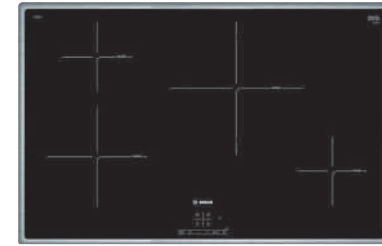


Specifications
DirectSelect
17 power levels
2-stage residual heat indicators (H/h)
Boost setting for all zones
Automatic pan recognition
Timer for all zones

Induction hobs

Serie 4 +

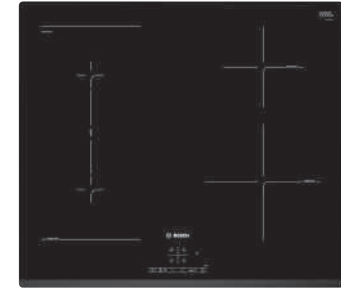
PIE845BB1E



Specifications
Touch control
17 power levels
2-stage residual heat indicators (H/h)
Boost setting for all zones
Automatic pan recognition
Timer for all zones

Serie 4 +

PWP631BB1E

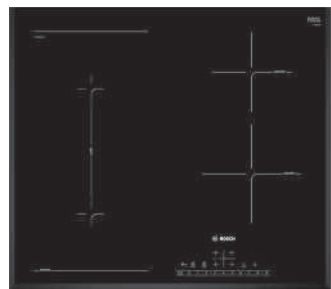


Specifications
EasyTouch control
CombiZone
17 power levels
2-stage residual heat indicators (H/h)
Boost setting for all zones
Automatic pan recognition
Timer for all zones

Induction hobs

Serie 6 ++

PVS651FB1E



Specifications
DirectSelect
CombiZone
17 power levels
2-stage residual heat indicators (H/h)
Boost setting for all zones
Automatic pan recognition
Timer for all zones

Serie 4 +

PIE651BB1E



Specifications
EasyTouch control
17 power levels
2-stage residual heat indicators (H/h)
Boost setting for all zones
Automatic pan recognition
Timer for all zones

Induction hobs

Serie 4 +

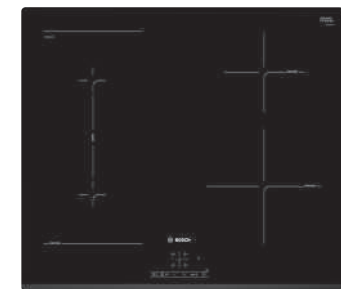
PUE611BB1E



Specifications
EasyTouch control
17 power levels
2-stage residual heat indicators (H/h)
Boost setting for all zones
Automatic pan recognition
Timer for all zones

Serie 4 +

PWP631BF1B



Specifications
EasyTouch control
CombiZone
13Amp Plug'n'Play
17 power levels
2-stage residual heat indicators (H/h)
Boost setting for all zones
Automatic pan recognition
Timer for all zones

Need to know more or get expert advice?

For in-depth appliance details please refer to the Product Specification section at the back of this brochure. To understand more about the innovative features on our appliances visit www.bosch-home.co.uk

Induction hobs

Serie 4 +

PUE611BF1B

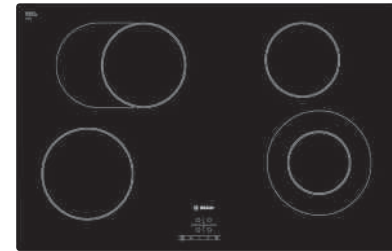


Specifications
EasyTouch control
13Amp Plug'n'Play
17 power levels
2-stage residual heat indicators (H/h)
Boost setting for all zones
Automatic pan recognition
Timer for all zones

Quick-Therm ceramic hobs

Serie 4 +

PKN811D17E

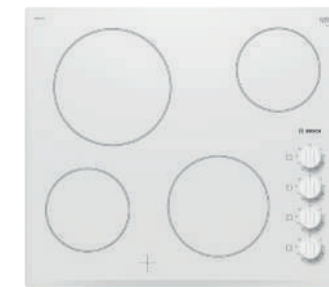


Specifications
EasyTouch control
4 cooking zones
17 power levels
2-stage residual heat indicators (H/h)
2 dual/extendable zones

Quick-Therm ceramic hobs

Serie 2 +

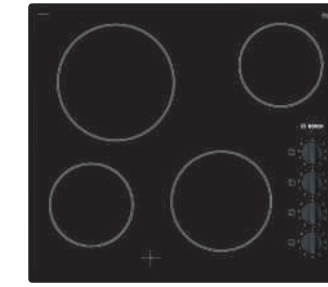
PKE652CA1E



Specifications
Variable 9-stage power settings for each zone
Residual heat indicator for each zone
1 dual/extendable zone
4 cooking zones

Serie 2 +

PKE611CA1E

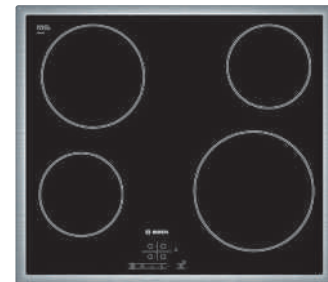


Specifications
Variable 9-stage power settings for each zone
Residual heat indicator for each zone
4 cooking zones

Quick-Therm ceramic hobs

Serie 4 +

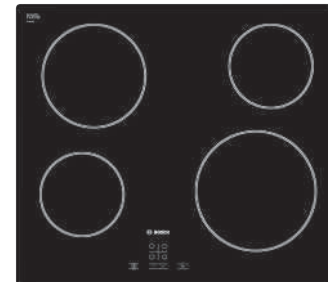
PKE645B17E



Specifications
EasyTouch control
17 power levels
2-stage residual heat indicators (H/h)
4 cooking zones

Serie 4 +

PKE611D17E



Specifications
EasyTouch control
4 cooking zones
17 power levels
2-stage residual heat indicators (H/h)
Boost setting for all zones
Energy consumption display

Sealed Plate electric hobs

Serie 2 +

PEE689CA1



Alternative colours
 PEE682CA1 White
 PEE686CA1 Black

Specifications
Variable 9-stage power settings for each zone
4 super fast sealed cooking plates

Need to know more or get expert advice?

For in-depth appliance details please refer to the Product Specification section at the back of this brochure. To understand more about the innovative features on our appliances visit www.bosch-home.co.uk

Introducing the Bosch gas hob range.

Professional performance and intuitive control matched with stylish good looks, Bosch gas hobs are available in a variety of finishes and colours.

To help you choose the right gas hob for your home we have divided them into the three ranges below.



Serie 8 +++

Our **Serie 8** range of gas hobs combines convenience and truly elegant design with ultimate cooking control, meaning a truly professional performance in the kitchen.

Serie 6 ++

Expect excellent operation and timeless designs with our **Serie 6** range of hobs. You'll get premium engineering and materials so that you can always cook something a little bit special.

Serie 4 +

Featuring a range of gas hobs that are convenient and simple to operate, our **Serie 4** range maintains classic design and style.

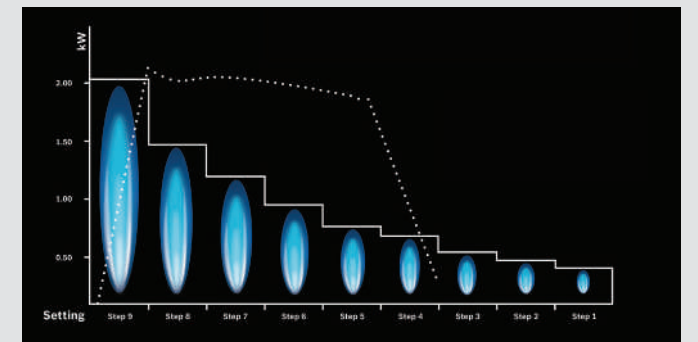
Whichever model you choose from our Serie ranges, you'll find lots of reasons to love your Bosch gas hob.

FlameSelect

Welcome to intuitive cooking. The advanced technology built into our hobs makes cooking on gas simple and precise. Understanding how you cook means we've been able to design a FlameSelect feature that lets you fry, stew, steam and boil with confidence – without constantly checking the flame.

Gas without the guesswork.

We're taking the guesswork out of lighting and using the hob. Our innovative StepValve technology regulates the gas output precisely, so you're able to choose the size of flame. With an easy-to-use setting, all you need to do is decide which of the 9 power settings you want. At last, FlameSelect gives you the confidence to cook on gas without leaning down to check it.



Flame size based on gas setting and energy consumption

Stunning good looks and ultimate control.

Stunning good looks and ultimate control. A gas hob delivers instant heat and is easy to adjust and control, making it a favourite in many kitchens. With a wide selection of widths and finishes to choose from, a gas hob can add as much elegance as practical functionality to any kitchen.



A touch of the Orient.

Powerful, dual ring wok burners are perfect for oriental cooking. They deliver a boost both in power and speed, but can also be used very effectively at lower settings when required.

Practical and stylish.

Modern gas hobs are as stylish as they are practical. Our gas hobs come with cast iron pan supports that are either front or side mounted. With ignition built in to the controls, all it takes is one action to ignite and set the hob to the correct cooking level.



Smart design

Square design pan supports don't just look good, but provide more stability for pots and pans. Cleverly designed to fit together, they are separate pieces, which make them easy to handle and clean. The elegant tempered glass base allows for a choice of surface mounting for quick and easy installation, or flush mounting.

Gas hobs

Serie 6 ++

PPS9A6B90



Specifications

- 5 burners
- 4.0kW wok burner
- FlameSelect
- Cast iron pan supports
- Flame-failure safety device
- Black tempered glass

FlameSelect. Gas without the guesswork.

Our innovative StepValve technology regulates the gas output precisely, so the size of flame can be chosen. With an easy-to-use setting, just decide which of the 9 power settings is needed. At last, FlameSelect gives you the confidence to cook on gas, without any leaning down to check.

Gas hobs

Serie 6 ++

PPQ7A6B90



Specifications

- 5 burners
- 4.0kW wok burner
- FlameSelect
- Cast iron pan supports
- Flame-failure safety device
- Black tempered glass

Serie 6 ++

PPP6A6B90



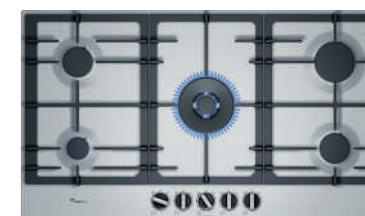
Specifications

- 4 burners
- FlameSelect
- Cast iron pan supports
- Flame-failure safety device
- Black tempered glass

Gas hobs

Serie 6 ++

PCR9A5B90

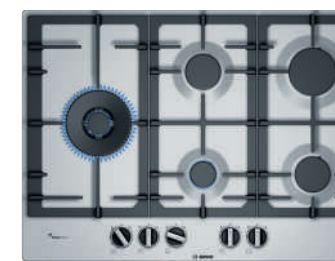


Specifications

- 5 burners
- 5.0kW wok burner
- FlameSelect
- Cast iron pan supports
- Flame-failure safety device
- Star layout

Serie 6 ++

PCS7A5B90



Specifications

- 5 burners
- 5.0kW wok burner
- FlameSelect
- Cast iron pan supports
- Flame-failure safety device
- Flag layout

Need to know more or get expert advice?

For in-depth appliance details please refer to the Product Specification section at the back of this brochure. To understand more about the innovative features on our appliances visit www.bosch-home.co.uk

Gas hobs

Serie 6 ++

PCQ7A5B90



Specifications
5 burners
4.0kW wok burner
FlameSelect
Cast iron pan supports
Flame-failure safety device
Star layout

Serie 6 ++

PCQ715B90E



Specifications
5 burners
4.0kW wok burner
Cast iron pan supports
Flame-failure safety device

Gas hobs

Serie 4 +

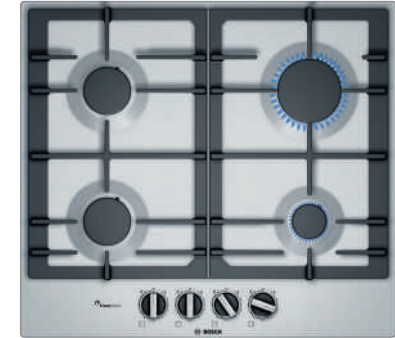
PGH6B5B60



Specifications
4 burners
3.3kW wok burner
Cast iron effect pan supports
Flame-failure safety device

Serie 4 +

PCP6A5B90
Stainless Steel



Specifications
4 burners
FlameSelect
Cast iron pan supports
Flame-failure safety device

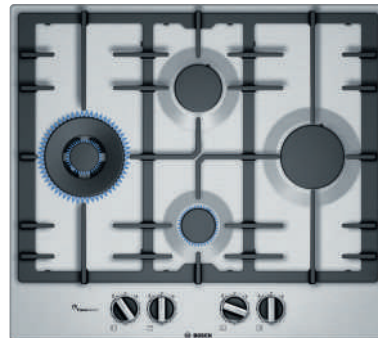


Alternative colours
PCP6A6B90 Black
PCP6A2B90 White

Gas hobs

Serie 6 ++

PCI6A5B90



Specifications
4 burners
4.0kW wok burner
FlameSelect
Cast iron pan supports
Flame-failure safety device
Diamond layout

Serie 6 ++

PCH6A5B90

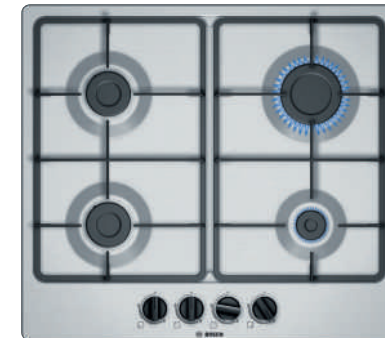


Specifications
4 burners
3.5kW wok burner
FlameSelect
Cast iron pan supports
Flame-failure safety device

Gas hobs

Serie 4 +

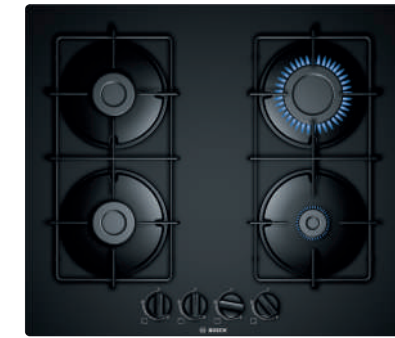
PGP6B5B60



Specifications
4 burners
Cast iron effect pan supports
Flame-failure safety device

Serie 4 +

PNP6B6B80



Specifications
4 burners
Enamel pan supports
Flame-failure safety device
Black tempered glass



Alternative colours
PGP6B6B60 Black
PGP6B2B60 White

Need to know more or get expert advice?

For in-depth appliance details please refer to the Product Specification section at the back of this brochure. To understand more about the innovative features on our appliances visit www.bosch-home.co.uk

Gas hobs

Serie 2

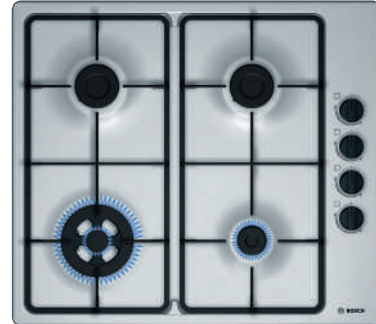
POP6B6B80



Specifications
4 burners
Enamel pan supports
Flame-failure safety device
Black tempered glass

Serie 2

PBH6B5B60



Specifications
4 burners
Wok burner
Cast iron finish pan supports
Flame-failure safety device

Gas hobs

Serie 2

PBP6B5B60
Brushed Steel



Specifications
4 burners
Cast iron finish pan supports
Flame-failure safety device



Alternative colours
 PBP6B6B60 Black
 PBP6B2B60 White

Domino hobs

Serie 8 +++

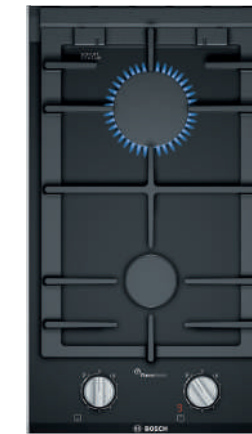
PRA3A6D70



Specifications
6.0kW wok burner
FlameSelect
Power level display
2-stage residual heat indicators (H/h)
Cast iron pan supports
Flame-failure safety device
Black ceramic glass

Serie 8 +++

PRB3A6D70

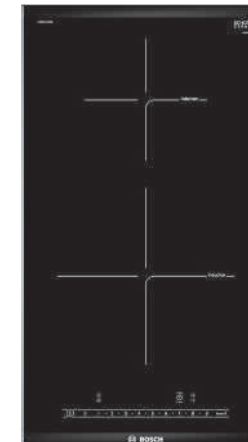


Specifications
2 burners
FlameSelect
Power level display
2-stage residual heat indicators (H/h)
Cast iron pan supports
Flame-failure safety device
Black ceramic glass

Domino hobs

Serie 4 +

PIB375FB1E



Specifications
Induction hob
DirectSelect
17 power levels
Boost setting for all zones
2-stage residual heat indicators (H/h)
Automatic pan recognition
Timer for all zones
Count up timer

Serie 2 +

PKF375FP1E



Specifications
Radiant ceramic hob
DirectSelect
1 dual/extendable zone
17 power levels
Boost setting for all zones
2-stage residual heat indicators (H/h)
Boost setting for all zones
Timer for all zones

Need to know more or get expert advice?

For in-depth appliance details please refer to the Product Specification section at the back of this brochure. To understand more about the innovative features on our appliances visit www.bosch-home.co.uk

Introducing the Bosch hood range.

Offering a blend of function and form, Bosch hoods deliver quiet, effective extraction that makes the kitchen and home a more pleasant environment. Make a bold design statement, or complement a more minimalist look.

To help you choose the right hood, we have divided them into four ranges.

Serie 8 +++

With our **Serie 8** range of hoods experience automatic extraction rate control with **PerfectAir** sensor technology. Our hoods offer high quality craftsmanship combined with cutting-edge technologies to make the kitchen a more pleasant environment.

Serie 6 ++

Ultimate convenience and tasteful design make cooker hoods within our **Serie 6** range an asset to any stylish kitchen. Electronic controls give you ease of use. Experience maximum operating convenience with DirectSelect touch controls from Bosch.

Serie 4 +

As the centre of family life, the kitchen needs to have a comfortable atmosphere free of cooking steam and disruptive noise. Our **Serie 4** range of cooker hoods are extremely quiet, easy to operate and impressive with their modern design.

Serie 2

With our **Serie 2** range of hoods, you can be assured of high quality design and features that make your life easier in the kitchen, such as easy-to-use controls and dishwasher proof metal grease filters for greater convenience.

Whichever model you choose from our Serie ranges, you'll find lots of reasons to love your Bosch hood.

A breath of fresh air.

When you're busy cooking, the last thing you need to think about is adjusting your hood to clear any steam in the kitchen. The **PerfectAir** sensor continually detects the level of odours in the air during the cooking process and automatically adjusts the power level to ensure optimum extraction performance. So there is no longer any need to manually adjust the power levels. This means that you can concentrate on your cooking rather than worrying about whether your hood is on the right setting.

EcoSilence Drive™

Our **EcoSilence Drive™** brushless friction-free motor and energy saving LED lights reduce energy consumption by up to 80% compared to a similar five-year-old model, without compromising results.

*Sound power measured according to EN60704-3 on largest pipe diameter. Noise level (sound power) based on dB(A) re 1 pW

Why shout when you can whisper?

The motors in all of our hoods need to deliver powerful performance for maximum extraction, but that doesn't mean your home environment has to suffer. We have designed state-of-the-art motors that keep noise levels to a minimum. Our quietest model delivers a library-quiet peacefulness of just 40 decibels* on power level 1, and 54 decibels* in maximum normal operation (level 3), or about the same noise level as a normal conversation.

In this light, even your electricity bill looks good.

Our hood ranges incorporate energy efficient lighting that can be adjusted for bright illumination to work under, or lower illumination for ambient mood lighting in the kitchen. High-efficiency LED lights make both your kitchen and energy bill look good.

Designer looks.

Bosch has created a cooker hood design for every kitchen. From a stylish island design, angled or curved contemporary glass to fully integrated or concealed. With a wide variety of sizes, types and finishes to choose from, it's easy to find the right cooker hood to perfectly match your kitchen.

The filter is concealed behind a stylish glass canopy or brushed steel cover with a brushed steel handle to hide grease build up, for a really sleek finish.

Model shown: DFS06J50B

Model shown: DWK98PR60B

Explore more at www.bosch-home.co.uk

Making **life easy** through innovative technologies

Downdraft Hood

Serie 8 +++

DDD97BM60B
Downdraft hood



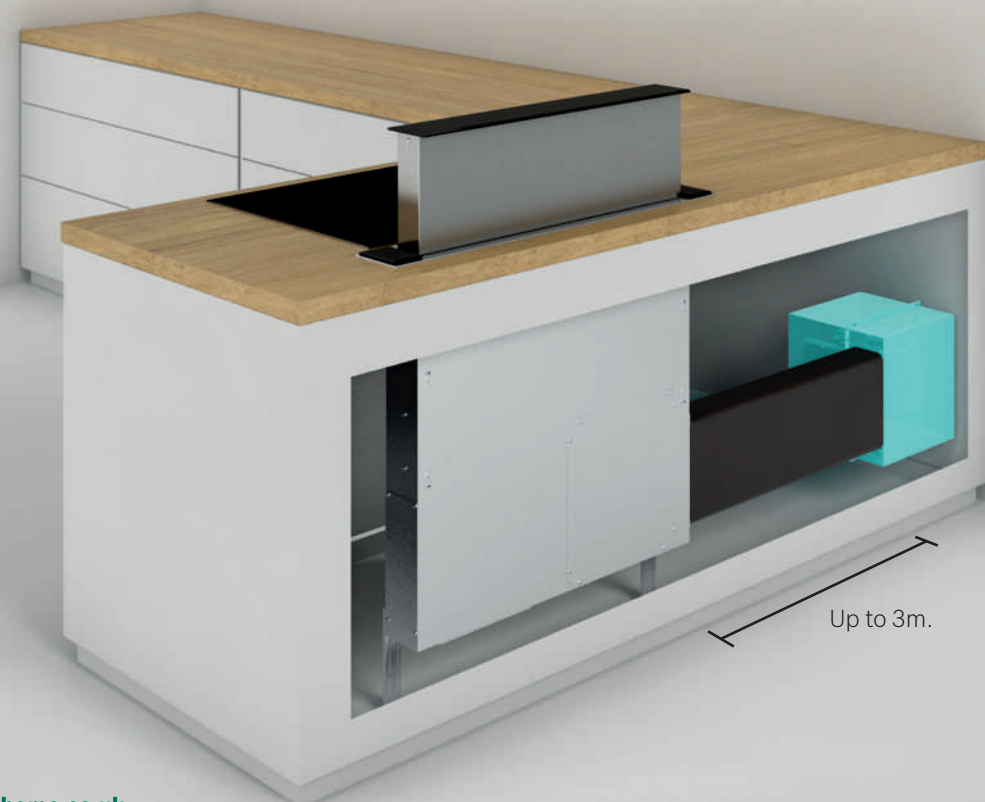
Specifications

DownDraft for installation in worktops
Touch control
3 power levels + 2 intensive settings
LED lighting: for perfect, very energy-efficient lighting of the hob
Max. extraction rate (normal): 530m ³ /h
Max. extraction rate (intensive): 750m ³ /h
Automatic after-running (10 mins)
Grease filter saturation indicator
Suitable for ducted or recirculated extraction
Max. noise level 62dB
Use with gas hob is only possible in air extraction mode

The new Downdraft hood provides a flexible ventilation solution for your open plan and island kitchen. With a sleek modern glass design with Bosch Clip, LED light and TouchControls; our remote installation options ensures efficient but quiet odour and steam removal.



The Bosch Remote Motor Installation Mounting Kit (DSZ9ID0M0) frees up space under the worktop and provides the option to mount the motor up to 3 metres away from the appliance. Image for illustrative purposes only. Ducting not supplied.



Ceiling hoods

Serie 8 +++

DID106T50
Ceiling hood



Specifications

Easy installation
Filter saturation indicator
Remote electronic controls
3 power levels + 1 intensive setting
2 strip LEDs
Auto intensive revert (6 mins)
Max. extraction rate (normal): 780m ³ /h
Max. extraction rate (intensive): 850m ³ /h
Softlight with dimmer function
Suitable for recirculated operation only
Max. noise level: 70 dB

Serie 8 +++

DID09T951B
Ceiling hood



Specifications

Electronic display
Remote control
3 power levels + 1 intensive setting
4 x LED lights
Max. extraction rate (normal): 575 m ³ /h
Max. extraction rate (intensive): 780 m ³ /h
Auto intensive revert (4 mins)
Automatic after-running – ensure no smells linger
Grease filter saturation indicator
Max. noise level: 64 dB

Island hoods

Serie 8 +++

DII31RV60
Island cube hood



Specifications

Operation via intuitive control wheel
PerfectAir sensor
Home Connect
3 power levels + 2 intensive settings
4 x LED Lights
Max. extraction rate (normal): 390 m ³ /h
Max. extraction rate (intensive): 510m ³ /h
Intensive operation revert (6 mins)
Automatic after-running – ensure no smells linger
Grease and charcoal filter saturation indicators
Max. noise level: 69 dB
Recirculation only

Serie 8 +++

DIB091K50B
Island hood



Specifications

Electronic Touch Control
Rim ventilation
Filter saturation indicator
3 power levels + 2 intensive settings
4 x LED lights
Softlight with dimmer function
Auto intensive revert (6 mins)
Ducted or recirculating operation
EcoSensor
Max. extraction rate (normal): 620m ³ /h
Max. extraction rate (intensive): 850m ³ /h
Max. noise level: 62 dB

Need to know more or get expert advice?

For in-depth appliance details please refer to the Product Specification section at the back of this brochure. To understand more about the innovative features on our appliances visit www.bosch-home.co.uk

Island hoods

Serie 6 ++

DIA098E50B
Island hood



Specifications
Electronic power level display
Filter saturation indicator
Soft touch control
3 power levels + intensive setting
4 x LED lights
Softlight with dimmer function
Auto intensive revert (6 mins)
Ducted or recirculating operation
Max. extraction rate (normal): 430m ³ /h
Max. extraction rate (intensive): 790m ³ /h
Max. noise level: 58 dB

Angled glass chimney hoods

Serie 8 +++

DWK98PR60B
Angled hood



Specifications
DirectSelect control
PerfectAir sensor
Home Connect
3 power levels + 2 intensive settings
2 x LED lights
Silence pack
Max. extraction rate (normal): 500 m ³ /h
Max. extraction rate (intensive): 840m ³ /h
Intensive operation revert (6 mins)
Automatic after-running – ensure no smells linger
Grease and charcoal filter saturation indicators
Max. noise level: 54 dB

Angled glass chimney hoods

Serie 4 +

DWK87BM60B
Angled hood



Specifications
TouchSelect control
Electronic power level display
3 power levels + 1 intensive setting
2 x LED lights
Max. extraction rate (normal): 400 m ³ /h
Max. extraction rate (intensive): 680m ³ /h
Auto intensive revert (6 mins)
Max. noise level: 58 dB

Serie 4 +

DWK67BM60B
Angled hood



Specifications
TouchSelect control
Electronic power level display
3 power levels + 1 intensive setting
2 x LED lights
Max. extraction rate (normal): 400 m ³ /h
Max. extraction rate (intensive): 680m ³ /h
Auto intensive revert (6 mins)
Max. noise level: 58 dB

Angled glass chimney hoods

Serie 6 ++

DWK97JQ60B
Angled hood



Specifications
DirectSelect control
PerfectAir sensor
3 power levels + 2 intensive settings
2 x LED lights
Max. extraction rate (normal): 460 m ³ /h
Max. extraction rate (intensive): 730m ³ /h
Intensive operation revert (6 mins)
Max. noise level: 54 dB

Serie 4 +

DWK97HM20B
Angled hood



Specifications
Touch Control
White colour
Power level display
3 power levels + 1 intensive setting
2 x LED lights
Max. extraction rate (normal): 420 m ³ /h
Max. extraction rate (intensive): 680m ³ /h
Intensive operation revert (6 mins)
Max. noise level: 57 dB

Angled glass chimney hoods

Serie 4 +

DWK97HM60B
Angled hood



Specifications
Touch Control
Power level display
3 power levels + 1 intensive setting
2 x LED lights
Max. extraction rate (normal): 420 m ³ /h
Max. extraction rate (intensive): 680m ³ /h
Intensive operation revert (6 mins)
Max. noise level: 57 dB

Serie 4 +

DWK67HM60B
Angled hood



Specifications
Touch Control
Power level display
3 power levels + 1 intensive setting
2 x LED lights
Max. extraction rate (normal): 400 m ³ /h
Max. extraction rate (intensive): 660m ³ /h
Intensive operation revert (6 mins)
Max. noise level: 57 dB

Need to know more or get expert advice?

For in-depth appliance details please refer to the Product Specification section at the back of this brochure. To understand more about the innovative features on our appliances visit www.bosch-home.co.uk

Flat slimline hoods

Serie 8 +++

DWF97MS70B
Flat slimline hood

Specifications

Touch Control
PerfectAir sensor
Home Connect
AmbientLight
3 power levels + 2 intensive settings
2 x LED lights
Max extraction rate (normal): 420 m ³ /h
Max. extraction rate (intensive): 730m ³ /h
Intensive operation revert (6 mins)
Automatic after-running – ensure no smells linger
Grease and charcoal filter saturation indicators
Max. noise level: 56 dB

Serie 8 +++

DWF97RV60B
Flat slimline hood

Specifications

Operation via intuitive control wheel
PerfectAir sensor
Home Connect
3 power levels + 2 intensive settings
2 x LED lights
Max. extraction rate (normal): 420 m ³ /h
Max. extraction rate (intensive): 730m ³ /h
Intensive operation revert (6 mins)
Automatic after-running – ensure no smells linger
Grease + charcoal filter saturation indicators
Max. noise level: 57dB

Flat slimline hoods

Serie 6 ++

DWF97KR20B
Flat slimline hood

Specifications

DirectSelect control
White colour
PerfectAir sensor
Home Connect
3 power levels + 2 intensive settings
2 x LED Lights
Max. extraction rate (normal): 420 m ³ /h
Max. extraction rate (intensive): 730m ³ /h
Intensive operation revert (6 mins)
Automatic after-running – ensure no smells linger
Grease and charcoal filter saturation indicators
Max. noise level: 57 dB

Serie 8 +++

DWI37RU60B
Wall cube hood

Specifications

Operation via intuitive control wheel
3 power levels + 2 intensive settings
2 x LED lights
Max. extraction rate (normal): 330 m ³ /h
Max. extraction rate (intensive): 400 m ³ /h
Intensive operation revert (6 mins)
Automatic after-running – ensure no smells linger
Grease + charcoal filter saturation indicators
Max. noise level: 67dB
Recirculation only

Chimney hoods with glass

Serie 4 ++

DWG96DM50B
Glass canopy hoodAlternative width
DWG66DM50B 60cm

Specifications

Bosch Clip Design
TouchSelect Control
Electronic power level display
3 power levels + intensive setting
2 x LED lights
Max. extraction rate (normal): 380m ³ /h
Max. extraction rate (intensive): 610m ³ /h
Auto intensive revert (6 mins)
Max. noise level 61 dB

Serie 4 ++

DWA96DM50B
Glass canopy hoodAlternative width
DWA66DM50B 60cm

Specifications

Bosch Clip Design
TouchSelect control
Electronic power level display
3 power levels + intensive setting
2 x LED lights
Max. extraction rate (normal): 360m ³ /h
Max. extraction rate (intensive): 580m ³ /h
Auto intensive revert (6 mins)
Max. noise level 61 dB

Chimney hoods with glass

Serie 2

DWA94BC50B
Glass canopy hoodAlternative widths
DWA64BC50B 60cm

Specifications

Push button control
3 power levels
2 x LED lights
Max. extraction rate (normal): 340m ³ /h
Ducted or recirculating operation
Max. noise level 64 dB

Serie 2

DWG94BC50B
Glass canopy hoodAlternative widths
DWG64BC50B 60cm

Specifications

Push button control
3 power levels
2 x LED lights
Max. extraction rate (normal): 340m ³ /h
Ducted or recirculating operation
Max. noise level 64 dB

Need to know more or get expert advice?

For in-depth appliance details please refer to the Product Specification section at the back of this brochure. To understand more about the innovative features on our appliances visit www.bosch-home.co.uk

Box chimney hoods

Serie 8 +++

DWB098J50B
Slimline box hood



Alternative width
DWB068J50B 60cm

Specifications

Electronic touch control
3 power levels + 2 intensive settings
3 x LED lights
Softlight with dimmer function
Auto intensive revert (6 mins)
Max. extraction rate (normal): 460m ³ /h
Max. extraction rate (intensive): 860m ³ /h
Ducted or recirculating operation
Max. noise level: 55 dB

Serie 6 ++

DWB098E51B
Bevelled box hood



Specifications

Electronic power level display
Filter saturation indicators
Soft touch button control
3 power levels + 2 intensive settings
3 x LED lights
Max. extraction rate (normal): 460m ³ /h
Max. extraction rate (intensive): 860m ³ /h
Softlight with dimmer function
Max. noise level: 55 dB

Slim pyramid chimney hoods

Serie 4 +

DWQ96DM50B
Slimline Pyramid Hood



Alternative widths
DWQ66DM50B 60cm

Specifications

TouchSelect Control
Power level display
3 power levels + intensive setting
2 x LED lights
Max. extraction rate (normal): 380m ³ /h
Max. extraction rate (intensive): 610m ³ /h
Intensive operation revert (6 mins)
Max. noise level 61 dB

Serie 2

DWQ94BC50B
Slimline pyramid hood



Alternative widths
DWQ74BC50B 75cm
DWQ64BC50B 60cm

Specifications

Push button control
3 power levels
2 x LED lights
Max. extraction rate (normal) 350m ³ /h
Ducted or recirculated operation
Max. noise level 64 dB

Box chimney hoods

Serie 4 +

DWB96DM50B
Box hood



Alternative width
DWB66DM50B 60cm

Specifications

TouchSelect control
Electronic power level display
3 power levels + intensive setting
2 x LED lights
Max. extraction rate (normal): 360m ³ /h
Max. extraction rate (intensive): 580m ³ /h
Max. noise level 60 dB

Serie 2

DWB94BC50B
Box hood



Alternative width
DWB64BC50B 60cm

Specifications

Push button control
3 power levels
2 x LED lights
Max. extraction rate (normal): 330m ³ /h
Ducted or recirculated operation
Max. noise level 64 dB

Pyramid chimney hoods

Serie 2

DWP94BC50B
Pyramid hood



Alternative widths
DWP74BC50B 75cm
DWP64BC50B 60cm

Specifications

Push button control
3 power levels
2 x LED lights
Max. extraction rate (normal): 360m ³ /h
Ducted or recirculated operation
Max. noise level 65 dB

Need to know more or get expert advice?

For in-depth appliance details please refer to the Product Specification section at the back of this brochure.
To understand more about the innovative features on our appliances visit www.bosch-home.co.uk

Telescopic hoods

Serie 8 +++

DFS097J50B
Telescopic hoodAlternative width
DFS067J50B 60cm

Specifications

Electronic touch control
Filter saturation indicator
3 power levels + 2 intensive settings
2 x LED lights
Auto intensive revert (6 mins)
Soft light with dimmer function
Max. extraction rate (normal): 400m ³ /h
Max. extraction rate (intensive): 700m ³ /h
Ducted or recirculating operation
Max. noise level: 55 dB

Serie 4 +

DFS097A50B
Telescopic hoodAlternative width
DFS067A50B 60cm

Specifications

Electronic soft touch button control
3 power levels + 1 intensive setting
2 x LED lights
Auto intensive revert (6 mins)
Max. extraction rate (normal): 420m ³ /h
Max. extraction rate (intensive): 740m ³ /h
Runs for an extra 10 minutes
Ducted or recirculating operation
Max. noise level: 55 dB

Telescopic hoods

Serie 2

DFM063W50B
Telescopic hood

Specifications

For installation into a 60cm wide cupboard
2 power levels
2 x 20W halogen lights
Max. extraction rate (normal): 340m ³ /h
Ducted or recirculating operation
Rocker switches
Max. noise level: 64 dB

Canopy hoods

Serie 6 ++

DHL785CGB
Canopy hood

Specifications

Kitchen cupboard installation
Rim ventilation
Soft touch button control
3 power levels + 1 intensive setting
2 x LED lights
Auto intensive revert (6 mins)
Max. extraction rate (normal): 630m ³ /h
Max. extraction rate (intensive): 730m ³ /h
Ducted or recirculating operation
Max. noise level: 66 dB

Serie 6 ++

DHL575CGB
Canopy hood

Specifications

Kitchen cupboard installation
Rim ventilation
Soft touch button control
3 power levels + 1 intensive setting
2 x LED lights
Auto intensive revert (6 mins)
Max. extraction rate (normal): 560m ³ /h
Max. extraction rate (intensive): 610m ³ /h
Ducted or recirculating operation
Max. noise level: 67 dB

Canopy hoods

Serie 4 +

DHL555BGB
Canopy hood

Specifications

Overhead canopy installation
3 power levels + 1 intensive setting
2 x 20W halogen lights
Ducted or recirculating operation
Slide switch
Max. extraction rate (normal): 420m ³ /h
Max. extraction rate (intensive): 650m ³ /h
Max. noise level: 59 dB

Serie 2

DHL535BGB
Canopy hood

Specifications

Overhead canopy installation
Rocker switch control
2 power levels + 1 intensive setting
2 x 30W halogen lights
Max. extraction rate (normal): 170m ³ /h
Max. extraction rate (intensive): 250m ³ /h
Ducted or recirculating operation
Max. noise level: 65 dB

Need to know more or get expert advice?

For in-depth appliance details please refer to the Product Specification section at the back of this brochure. To understand more about the innovative features on our appliances visit www.bosch-home.co.uk

Integrated hoods

Serie 2

DEM66AC00B
Integrated hood



Specifications

Installation between cupboards
Push button control
3 power levels
2 x LED lights
Max. extraction rate (normal): 620m³/h
Ducted or recirculated operation
Max. noise level 70 dB

Serie 2

DEM63AC00B
Integrated hood



Specifications

Installation between cupboards
Push button control
3 power levels
2 x LED lights
Max. extraction rate (normal): 360m³/h
Ducted or recirculated operation
Max. noise level 62 dB

Conventional hoods

Serie 2

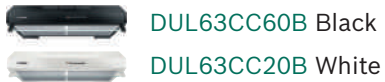
DUL63CC50B
Built-under hood



Specifications

Push button control
Wall mounted installation
3 power levels
LED lights
Max. extraction rate (normal): 350 m³/h
Max noise level: 72 dB

Alternative colours



DUL63CC60B Black

DUL63CC20B White

Need to know more or get expert advice?

For in-depth appliance details please refer to the Product Specification section at the back of this brochure.
To understand more about the innovative features on our appliances visit www.bosch-home.co.uk

Explore more at www.bosch-home.co.uk



Models shown: DID106T50

Making **life easy** through innovative technologies

Introducing the Bosch laundry range.

Our built-in home laundry appliances are packed full of innovative and intuitive technology. Low in water consumption, energy efficient and quiet in operation, it's the clever engineering that makes our appliances economical, efficient and stylish in the kitchen.

To help you choose the right laundry appliance, we have divided them into the three ranges below.



Serie 8 +++

Perfection in every detail, our **Serie 8** range of laundry appliances stand out from the crowd with superior quality, results and first-class design. Clever features such as the TimeLight take away the guesswork on the progress of the wash. Unique innovations combined with energy efficiency deliver outstanding performance.

Serie 6 ++

Our **Serie 6** range of laundry appliances offer a broad choice of specialist programmes and deliver high performance and effortless convenience to enhance your lifestyle.

Serie 4 +

Models within our **Serie 4** range combine practical features and Bosch build quality in a consistent, value for money package.

Whichever model you choose from our Serie ranges, you'll find lots of reasons to love your Bosch laundry appliance.

Hand wash in the machine.

The woollens hand wash programme is so gentle that even the most delicate laundry can be conveniently washed in the machine.

Washed and dried to perfection.

Programme a wash and dry in one go. Thanks to advanced sensor drying, load the machine and you'll come back to perfectly dry clothes. The programme cleverly turns off once the sensors detect the laundry is dry, so you'll save energy and minimise the risk of any damage through over-heating.

More space.

No need to compromise on wash loads with a large 8kg capacity and a 1400rpm spin speed. These latest washing machines are energy efficient maintaining an A+++ rating.

Never miss an item again. Reload by Bosch.

For dropped socks, mistaken items with your whites or forgotten clothes, **Reload** function on all Bosch washing machines allows you to add or remove clothing of any size to your washes. Simply pause the cycle and the machine will automatically adjust the water level to allow you to open the door. Reload your items and restart the wash.

Enjoy the quiet life.

Our latest washing machines with **EcoSilence Drive™** generate a noise level of just 41 decibels – that's quieter than the sound of the sea at 55 decibels. The modern world is noisy enough, so it's good to know that Bosch technology can help make the home environment a little oasis of calm.

Silent night.

The special **Night Wash** programme reduces the high spin speed during the spin cycle so you can do your washing while everyone is sleeping without disturbing your family or neighbours.

Less rock and roll.

We've also created **AntiVibration** technology to cut down noise. The sidewalls of the washing machine feature a spiral design that increases stability and reduce vibrations. Improved sound insulation and low noise shock absorbers further dampen the noise to provide a whisper quiet machine.

WaveDrum™ – tough but gentle.

The unique **WaveDrum™** is designed for faster and gentler washing, while tackling tough dirt and stains. Just select the programme for your wash and the droplet-shaped drum structure and the asymmetrical paddles adjust the drum movements to powerful or gentle. The 8kg drum also protects your laundry and reduces creasing, making ironing easier.

TimeLight.

Bosch washing machines are so quiet sometimes it's hard to tell whether they are on or off, especially on fully-integrated models where there is no visible control panel. The **TimeLight** projects the programme status and time remaining onto any floor surface.

Washing machines

Ideal for families.

Ideal for families and busy households, the large 8kg capacity means you can wash more laundry in one go. A typical 8kg load could be made of king size bed linen, including 4 pillow cases. So whether you have lots of laundry, or fewer loads but with larger amounts, large capacity will make your laundry life easier.

Serie 8 +++

Washing machine
WIW28500GB



Specifications

Max. spin 1400rpm
Energy consumption 137kWh per year
11 special programmes including Night Wash
7 options: including reduced ironing, spin speed and start delay
EcoSilence Drive™
Reload function
TimeLight
VarioPerfect™ function
DrumClean with reminder



Model shown: WIW28500GB

Washing machines

Serie 6 ++

Washing machine
WIW28300GB



Specifications

Max. spin 1400rpm
Energy consumption 157kWh per year
6 special programmes including Night Wash
4 options: including spin speed and start delay
EcoSilence Drive™
Reload function
VarioPerfect™ function

Washer dryers

Serie 6 ++

Washer dryer
WKD28541GB



Specifications

Max. spin 1400rpm
Energy consumption wash & dry: 5.4kWh per year
5 special programmes including SuperQuick 15, Night Wash, delicates & fluff removal
6 options: including menu and start delay
AquaSpa wash system
Large progress indication display
End of cycle buzzer

Serie 4 +

Washer dryer
WKD28351GB



Specifications

Max. spin 1354rpm
Energy consumption wash & dry: 5.5kWh per year
4 special programmes including delicates & fluff removal
4 options: including spin speed and start delay
AquaSpa wash system
Progress indication display
End of cycle buzzer

Need to know more or get expert advice?

For in-depth appliance details please refer to the Product Specification section at the back of this brochure. To understand more about the innovative features on our appliances visit www.bosch-home.co.uk

Introducing the Bosch dishwasher range.

All our built-in dishwashers offer a range of advanced technologies as standard and additional options across the range to suit your individual requirements.

To help you choose the right Bosch dishwasher, we have divided them into the four ranges below.

Serie 8 +++

Our **Serie 8** range combines cutting-edge design and advanced technology. The **A+++** energy efficiency rating of this range is complemented by our **PerfectDry** function where moisture is absorbed before being released as hot air for energy-efficient drying. Exceptionally quiet, offering additional storage and flexible loading solutions.

Serie 6 ++

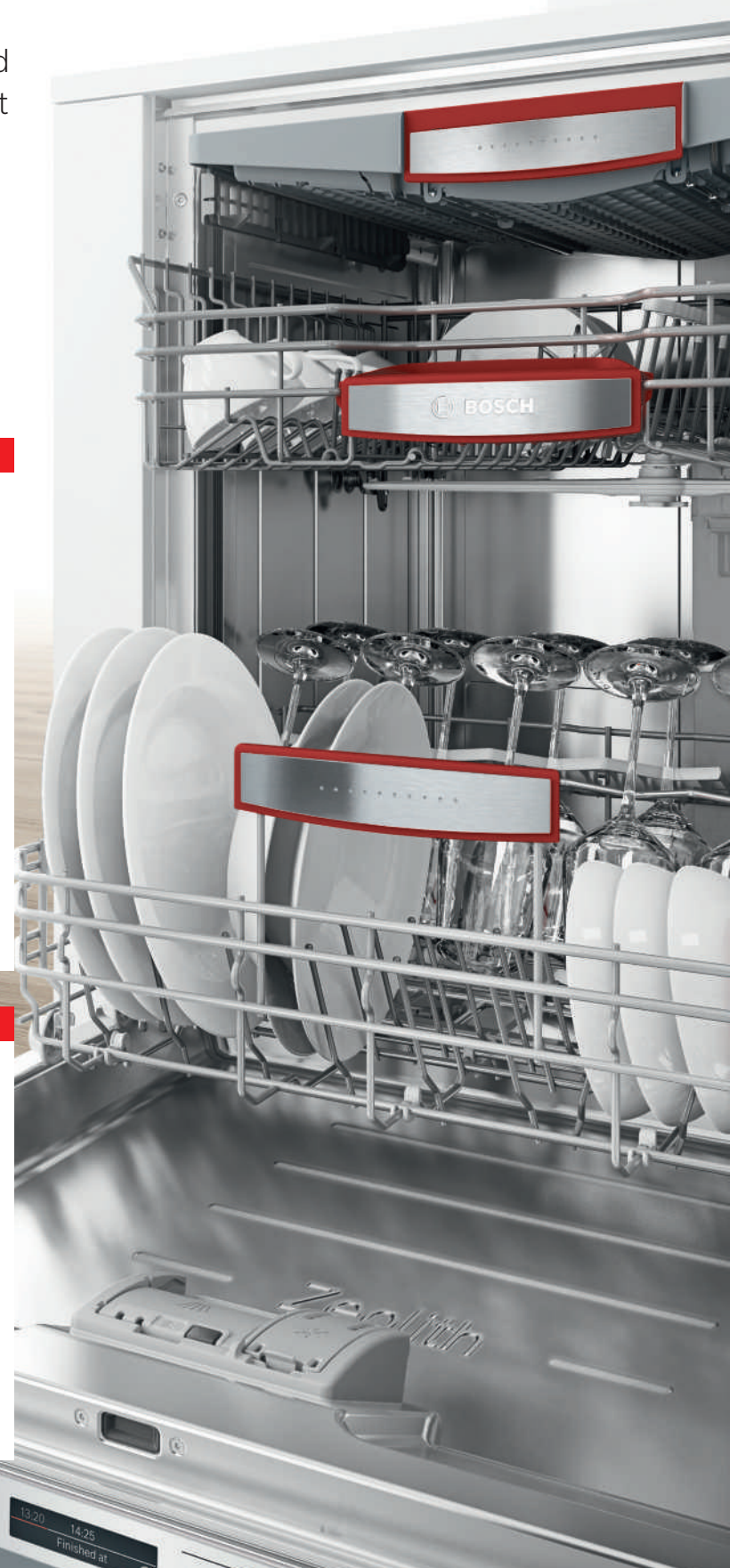
Our **Serie 6** range comes packed with technology, from energy- and water-saving modes to quick washes for when time is at a premium. They also feature our clever **PerfectDry** function and **VarioFlex baskets** with coloured touchpoints for flexible loading solutions and accommodating the most awkward shaped dishes.

Serie 4 +

Our **Serie 4** range of models offers great value for money but does not compromise on Bosch build quality. They combine advanced energy and resource-saving features. In addition, they offer **flexible Vario** and **VarioFlex baskets** with foldable racks in the top and bottom baskets.

Serie 2

Our **Serie 2** dishwashers offer you the classic design with easy operation. They are the optimal solution for anyone who wants a reliable appliance with good value for money.



PerfectDry

A clever function that saves energy by using less electricity to dry everything to perfection. And we do mean everything – plates, pans, glasses and all plastic items. Your lunchboxes and containers will be completely clean and perfectly dry, so you'll never have to pick up a tea towel to finish the job again.

The technology behind PerfectDry is called Zeolith® – a process applied to most cycles that uses natural minerals that heat up when they come into contact with water. The warm air is then distributed evenly over the load. Zeolith® regenerates after every cycle and will last the lifetime of the appliance.



ExtraDry

Want your dishes extra dry? No problem. This function gives you even more drying power when you need it. Just choose the Extra Dry option and more heat will be created to extend your load's drying cycle.



Whisper quiet washing.

Bosch dishwashers are amongst the quietest in the world. With revolutionary EcoSilence Drive™ there are dishwashers in the range which operate at 39 decibels, that's even quieter than the sound of a bee buzzing! With the Silence programme selected, the noise is reduced even further.

Save water every load.

The ActiveWater™ technology in our dishwashers means it can take as little as 6.5 litres* of water to clean 13 place settings for a three-course meal**. That's less water than it takes to fill a standard-sized kitchen sink.

Energy efficiency.

The opportunity to save energy is now even better. Innovative technology in our dishwashers gets the most out of every single drop of water. Our most energy-efficient dishwashers in Serie 8 and Serie 6 ranges boast an A+++ energy rating.

Technology to save you time.

Our **VarioSpeed** option reduces programme times without compromising on quality. So you still get hygienically clean and dry dishes but in just 90 minutes – ideal for busy households and entertaining. Choose VarioSpeed Plus (available on selected models) and your dishes will be clean in about a third of the time.

Where every pot has its place.

Our flexible **VarioFlex Pro** basket system allows you to adjust the space inside of your dishwasher to suit exactly the items you're washing. The foldable racks adapt to any load whilst still securing everything in place.

Take away the guess work.

Now you can see how long the programme has left to run without opening the door. Thanks to our **TimeLight** feature, on Serie 8 and Serie 6 models, the time remaining on your cycle is projected onto the floor. You can also view the programme progress status, and with a dishwasher this quiet, you may even want to check it's still running!

Machine care.

Your dishwasher will help look after itself with this smart function. Optimising the water and energy consumption, it works on a short run time of 80-90 minutes at high temperatures. It eliminates lime and grease deposits inside the dishwasher and works with a standard machine-care detergent. On selected Serie 8 and Serie 6 models, it will even remind you to run the programme every 30 cycles.

10 year anti-rust warranty.

Our appliances are made from top quality materials and in addition to our standard appliance warranty, we provide a free of charge warranty against rusting-through of the dishwasher's inner cavity.

*6.5 litre water consumption on standard Economy 50° programme.

**Three-course meal as defined by dinner, soup and dessert plate, cup and saucer, glass, knife, fork, soup, tea and dessert spoons for each place setting as well as 1 serving plate, 2 serving bowls, 2 serving spoons, 1 serving fork and 1 sauce spoon.

60cm dishwashers

Finally, a dishwasher that dries as perfectly as it cleans, even on plastics. Our PerfectDry dishwashers use energy saving minerals that heat up when they come into contact with moisture, to create cupboard-ready results naturally.

Serie 8 +++

SMV68TD06G
Fully integrated



Specifications

- Home Connect for remote control with your smart phone or tablet
- PerfectDry for fantastic drying results, even on plastics
- 8 programmes including Auto 45-65 & Silence 50
- 6 special options including Machine Care & Extra Dry
- VarioFlex Pro basket system
- VarioDrawer Pro
- 3 stage Rackmatic™ top basket
- TimeLight
- DoorOpen Assist
- TFT touch display
- White interior light
- Stainless steel interior
- 41dB

60cm fully integrated dishwashers

Serie 6 ++

SMV68MD00G
Fully integrated



Specifications

- PerfectDry for fantastic drying results, even on plastics
- 8 programmes including Silence 50 & Short 60
- 5 special options including Machine Care & Extra Dry
- VarioFlex basket system with coloured touch points
- VarioDrawer
- 3 stage Rackmatic™ top basket
- TimeLight
- DoorOpen Assist
- LED touch display
- Stainless steel interior
- 44dB

Serie 6 ++

SMV68MD01G
Fully integrated



Specifications

- 8 programmes including Silence 50 & 1 Hour 65
- 5 special options including Machine Care & Extra Dry
- Heat exchanger drying system
- VarioFlex basket system with coloured touch points
- VarioDrawer
- 3 stage Rackmatic™ top basket
- TimeLight
- DoorOpen Assist
- LED touch display
- Stainless steel interior
- 39dB

60cm fully integrated dishwashers

Serie 6 ++

SMV68MD02G
Fully integrated



Specifications

- 8 programmes including Silence 50 & 1 Hour 65
- 5 special options including Machine Care & Extra Dry
- Heat exchanger drying system
- VarioFlex basket system with coloured touch points
- VarioDrawer
- 3 stage Rackmatic™ top basket
- TimeLight
- DoorOpen Assist
- LED touch display
- Stainless steel interior
- 44dB

Serie 4 +

SBE46MX00G
Fully integrated



Specifications

- 6 programmes including Eco 50 & 1 Hour 65
- 4 special options including VarioSpeed Plus & Machine Care
- Heat exchanger drying system
- VarioFlex basket system
- VarioDrawer
- 3 stage Rackmatic™ top basket
- InfoLight
- LED display with push button control
- Stainless steel interior
- VarioHinge
- 46dB

Need to know more or get expert advice?

For in-depth appliance details please refer to the Product Specification section at the back of this brochure. To understand more about the innovative features on our appliances visit www.bosch-home.co.uk

60cm fully integrated dishwashers

Serie 4 +

SMV46MX00G
Fully integrated



Specifications

- 6 programmes including Eco 50 & 1 Hour 65
- 4 special options including VarioSpeed Plus & Machine Care
- Heat exchanger drying system
- VarioFlex basket system
- VarioDrawer
- 3 stage Rackmatic™ top basket
- InfoLight
- LED display with push button control
- Stainless steel interior
- 46dB

Serie 4 +

SMV46IX00G
Fully integrated



Specifications

- 6 programmes including Eco 50 & 1 Hour 65
- 4 special options including VarioSpeed Plus & Machine Care
- Heat exchanger drying system
- VarioFlex basket system
- 3 stage Rackmatic™ top basket
- InfoLight
- LED display with push button control
- Stainless steel interior
- 48dB

60cm fully integrated dishwashers

Serie 2

SMV40C00GB
Fully integrated



Specifications

- 4 programmes including Eco 50 & Quick Wash 45
- Residual heat drying system
- InfoLight
- Push buttons on top edge
- Red LED indicators
- Stainless steel / Polinox interior
- 54dB

60cm semi-integrated dishwashers

Serie 6 ++

SMI68TS06E
Semi-integrated,
brushed steel



Specifications

- Home connect for remote control with your smart phone or tablet
- PerfectDry for fantastic drying results, even on plastics
- 8 programmes including Auto 45-65 & Silence 50
- 5 special options including Machine Care & Extra Dry
- VarioFlex Pro basket system
- VarioDrawer Pro
- 3 stage Rackmatic™ top basket
- TFT touch display
- Stainless steel interior
- 42dB

60cm fully integrated dishwashers

Serie 2

SMV50C10GB
Fully integrated



Specifications

- 5 programmes including Intensive 70 & Quick Wash 45
- 1 special option: VarioSpeed
- Residual heat drying system
- Vario basket system
- Height adjustable top basket
- InfoLight
- Push buttons on top edge
- Red LED indicators
- Stainless steel / Polinox interior
- 48dB

Serie 2

SMV40C30GB
Fully integrated



Specifications

- 4 programmes including Eco 50 & Quick Wash 45
- 1 special option: VarioSpeed
- Residual heat drying system
- Vario basket system
- Height adjustable top basket
- InfoLight
- Push buttons on top edge
- Red LED indicators
- Stainless steel / Polinox interior
- 50dB

60cm semi-integrated dishwashers

Serie 6 ++

SMI68MS06G
Semi-integrated,
brushed steel



Specifications

- Home Connect for remote control with your smart phone or tablet
- 8 programmes including Silence 50 & Glass 40
- 5 special options including VarioSpeed Plus, Half Load & Extra Dry
- VarioFlex basket system with coloured touch points
- VarioDrawer
- 3 stage Rackmatic™ top basket
- TFT touch display
- White interior light
- Stainless steel interior
- 44dB

Serie 4 +

SMI50C15GB
Semi-integrated,
brushed steel



Specifications

- 5 programmes including Intensive 70, Eco 50 & Quick Wash 45
- 2 special options: VarioSpeed & Half Load
- Vario basket system
- Height adjustable top basket
- Control buttons on fascia
- Red LED indicators
- Stainless steel / Polinox interior
- 46dB

Alternative colours
SMI50C16GB Black
SMI50C12GB White

Need to know more or get expert advice?

For in-depth appliance details please refer to the Product Specification section at the back of this brochure. To understand more about the innovative features on our appliances visit www.bosch-home.co.uk

45cm fully integrated dishwashers

Serie 6 ++

SPV66TX01E
Fully integrated



Specifications

PerfectDry for fantastic drying results, even on plastics

6 programmes including Short 60 & Silence 50

4 special options including Machine Care & Extra Dry

VarioFlex Pro basket system

VarioDrawer Pro

3-stage Rackmatic™ top basket

TimeLight

White interior light

Push buttons along top edge

LED display

Stainless steel interior

43dB



Serie 6 ++

SPV66TX00G
Fully integrated



Specifications

6 programmes including Auto 45-65 & Silence 50

4 special options including Machine Care & Extra Dry

Heat exchanger drying system

VarioFlex Pro basket system

VarioDrawer Pro

3 stage Rackmatic™ top basket

TimeLight

Push buttons along top edge

LED display

Stainless steel interior

Child lock

44dB



45cm fully integrated dishwashers

Serie 4 +

SPV25CX00G
Fully integrated



Specifications

5 programmes including Auto 45-65 & Intensive 70

1 special option: VarioSpeed

Heat exchanger drying system

Vario basket system

Variable cutlery basket

Height adjustable top basket

Push buttons on top edge

Red LED indicators

Stainless steel interior

Child lock

48dB



Need to know more or get expert advice?

For in-depth appliance details please refer to the Product Specification section at the back of this brochure. To understand more about the innovative features on our appliances visit www.bosch-home.co.uk

Explore more at www.bosch-home.co.uk



Model shown: SPV66TX01E

Making life easy through innovative technologies

Introducing the Bosch refrigeration range.

Save more, waste less. Our range of built-in fridge freezers save you money thanks to their energy efficiency ratings. They are also packed with innovative technology to keep your food fresher for longer, so you'll throw out less and save on your weekly shopping bill.

To help you choose the right appliance, we have divided them into the four ranges below.

Serie 8 +++

Cutting-edge design meets advanced technologies. All models in our **Serie 8** range are packed with energy efficient and labour saving features that save valuable time, effort and money – perfect for modern, busy households.

Serie 4 +

All models in our **Serie 4** range combine practical features with Bosch build quality.

Serie 6 ++

Our **Serie 6** range of appliances combines energy efficient performance with convenient storage and superior food preservation.

Serie 2

Built to keep electricity costs down. With energy efficiency an increasing priority in homes, the **Serie 2** refrigeration range is just as efficient as it is value for money.



Whichever model you choose from our Serie ranges, you'll find lots of reasons to love your Bosch fridge freezer.

VitaFresh

0°C – the perfect temperature.

With **VitaFresh**, you'll be able to store your fruit and vegetables at exactly 0°C to lock in the freshness. And with an adjustable humidity setting on the drawer, you'll be keeping your fresh food in a perfectly controlled environment.

You'll also find two drawers, one for fish and one for meat, with a temperature regulating slider which lets you lower the temperature up to 4°C lower than the rest of the fridge. **VitaFresh plus** models have the added benefit of a convenient push button for humidity control.



Energy efficient.

365 days a year, 24 hours a day, fridges and freezers are always on. In fact, they make up around 17% of the electricity used in the home, or even more if it's a particularly old model.* That's why we design our fridges and freezers to be as energy efficient as possible, and we're proud to be able to offer so many right across our ranges.

NoFrost.

Never worry about having to defrost the freezer again. The NoFrost system prevents the build up of ice by automatically initiating the defrost operation as required. This also helps to maintain the appliance's energy efficiency.



LowFrost.

LowFrost cuts ice build up by half meaning you only have to defrost your freezer every 2 to 3 years, compared to approximately every 3 months for a static freezer, saving you energy and time.

SuperFreeze & SuperCool.

Activating the SuperFreeze function before you go shopping lowers the temperature for a short period, so anything new put into the freezer is frozen quickly. SuperCool on your fridge performs a similar task, keeping everything at the right storage temperature.

Save time with flexible storage.

Put away the weekly shop more easily, and get what you need faster too, thanks to height adjustable shelves and fully extendable drawers. The **EasyLift door shelf** can be raised to make space for taller items to be stored in the door. The **EasyAccess shelf** can be conveniently extended so you can more easily view the food in your fridge.

More space.

Our freezers are extra spacious meaning you will find it easy to fit everything in – perfect for busy households. The extra large **BigBox** is big enough for large bulky items.

Quietly does it.

As there could be many small and larger hands opening and shutting the fridge door, it's nice to know that we've integrated **SoftClosing doors** in many models – so doors do not get accidentally left open.

*Source: www.greenchoices.org

Fridge freezers

Serie 6 ++

KIN86AD30G



Specifications

Fixed Softclose hinge
LED light
VitaFresh plus drawer
SuperFreeze
SuperCool
NoFrost freezer
Electronic LED temperature control
5 removable glass shelves
Dimensions (H x W x D): 177.2 x 55.8 x 54.5cm

Another job off the list.

Never worry about defrosting the freezer again. The NoFrost system prevents the build up of ice by automatically initiating the defrost operation only when it's needed, also helping to maintain energy efficiency.



Fridge freezers

Serie 6 ++

KIN85AF30G



Specifications

Fixed hinge
LED light
VitaFresh plus drawer
SuperFreeze & SuperCool
NoFrost freezer
Electronic LED temperature control
4 removable glass shelves
Dimensions (H x W x D): 177.2 x 55.8 x 54.5cm



Serie 6 ++

KIS87AF30G



Specifications

Fixed hinge
LED light
VitaFresh plus drawer
SuperFreeze & SuperCool
Auto defrost fridge
Electronic LED temperature control
5 removable glass shelves
Dimensions (H x W x D): 177.2 x 55.8 x 54.5cm



Fridge freezers

Serie 6 ++

KIS86AF30G



Specifications

Fixed hinge
LED light
VitaFresh plus drawer
SuperFreeze & SuperCool
LowFrost freezer
Electronic LED temperature control
5 removable glass shelves
Dimensions (H x W x D): 177.2 x 55.8 x 54.5cm



Serie 4 +

KIN86VF30G



Specifications

Fixed hinge
LED light
Multibox container
SuperFreeze
Electronic LED temperature control
NoFrost freezer
4 removable glass shelves
3 transparent freezer drawers, 1 BigBox
Dimensions (H x W x D): 177.2 x 54.1 x 54.5cm



Need to know more or get expert advice?

For in-depth appliance details please refer to the Product Specification section at the back of this brochure. To understand more about the innovative features on our appliances visit www.bosch-home.co.uk

Fridge freezers

Serie 4 +

KIV87VF30G



Specifications
Fixed hinge
LED light
MultiBox container
LowFrost freezer
SuperFreeze
2 transparent freezer drawers, 1 BigBox
LED electronic control
5 removable glass shelves
Dimensions (H x W x D): 177.2 x 54.1 x 54.5cm

Alternative product
KIV87VS30G
Sliding hinge

Serie 4 +

KIV86VS30G



Specifications
Sliding hinge
LED light
MultiBox container
LowFrost freezer
SuperFreeze
3 transparent freezer drawers, 1 BigBox
LED electronic control
4 removable glass shelves
Dimensions (H x W x D): 177.2 x 54.1 x 54.5cm

Fridge freezers

Serie 4 +

KIV85VF30G



Specifications
Fixed hinge
LED light
MultiBox container
LowFrost freezer
SuperFreeze
4 transparent freezer drawers, 1 BigBox
LED electronic control
4 removable glass shelves
Dimensions (H x W x D): 177.2 x 54.1 x 54.5cm

Serie 4 +

KIV85VS30G



Specifications
Sliding hinge
LED light
MultiBox container
LowFrost freezer
SuperFreeze
4 transparent freezer drawers, 1 BigBox
LED electronic control
4 removable glass shelves
Dimensions (H x W x D): 177.2 x 54.1 x 54.5cm

Fridge freezers

Serie 2

KIV32X23GB



Specifications
Sliding hinge
25W light
MultiBox container
Manual defrost freezer
Static freezer
LED electronic control
3 removable glass shelves
Dimensions (H x W x D): 177.2 x 54.1 x 54.5cm

Serie 2

KIV38X22GB



Specifications
Sliding hinge
MultiBox container
Auto defrost fridge
Manual defrost freezer
Static freezer
LED electronic control
5 removable glass shelves
Dimensions (H x W x D): 177.2 x 54.1 x 54.5cm

Fridges – 177cm height

Serie 6 ++

KIR81AF30G



Specifications
Fixed hinge
LED light
1 VitaFresh plus drawer
1 EasyAccess shelf
1 Vario shelf
SuperCool
Electronic LED display
7 removable glass shelves
Dimensions (H x W x D): 177.2 x 55.8 x 54.5cm

Serie 6 ++

KIL82AF30G



Specifications
Fixed hinge
LED light
1 VitaFresh plus drawer
Manual defrost freezer
Electronic LED display
5 removable glass shelves
SuperCool
4* freezer compartment
Dimensions (H x W x D): 177.2 x 55.8 x 54.5cm

Need to know more or get expert advice?

For in-depth appliance details please refer to the Product Specification section at the back of this brochure. To understand more about the innovative features on our appliances visit www.bosch-home.co.uk

Fridges – 177cm height

Serie 4 +

KIR81VS30G



Specifications
Sliding hinge
LED light
2 MultiBox containers
LED electronic control
SuperCool
7 removable glass shelves
Dimensions (H x W x D): 177.2 x 54.1 x 54.5cm

Serie 4 +

KIL82VS30G



Specifications
Sliding hinge
SuperCool function
Auto defrost fridge
4* freezer compartment
2 MultiBox containers
LED electronic control
5 glass shelves
Dimensions (H x W x D): 177.2 x 54.1 x 54.5cm

Fridges – 122cm height

Serie 6 ++

KIR41AF30G



Specifications
Fixed hinge
LED light
1 VitaFresh plus drawer
SuperCool
6 removable glass shelves
Dimensions (H x W x D): 122.1 x 55.8 x 54.5cm

Serie 4 +

KIL42VS30G



Specifications
Sliding hinge
LED light
1 MultiBox container
Manual defrost freezer
4* freezer compartment
LED electronic control
5 removable glass shelves
Dimensions (H x W x D): 122.1 x 54.1 x 54.5cm

Freezers – 177cm height

Serie 8 +++

GIN38A55GB



Specifications
Fixed hinge
LED light
SuperFreeze
Auto defrost freezer
Optical & acoustical door open signal
LED electronic control
5 freezer drawers and 2 flaps
Soft close hinge
Dimensions (H x W x D): 177.2 x 55.6 x 54.5cm

Serie 6 ++

GIN81AE30G



Specifications
Fixed hinge
2 BigBox frozen food drawers; for storage of large food items
SuperFreeze function with manual deactivation
Electronic temperature control
5 transparent freezer drawers and 2 flaps
Dimensions (H x W x D): 177.2 x 55.8 x 54.5cm

Fridges – 122cm height

Serie 4 +

KIR41VS30G



Specifications
Sliding hinge
LED light
1 MultiBox container
1 EasyAccess shelf
LED electronic control
6 removable glass shelves
Dimensions (H x W x D): 122.1 x 54.1 x 54.5cm

Serie 2

KIR24V20GB



Specifications
Sliding hinge
1 x 15W light
Mechanical control
6 removable glass shelves
Dimensions (H x W x D): 122.1 x 54.1 x 54.2cm

Need to know more or get expert advice?

For in-depth appliance details please refer to the Product Specification section at the back of this brochure. To understand more about the innovative features on our appliances visit www.bosch-home.co.uk

Freezers – 122cm height

Serie 6 ++

GIN41AE30G



Specifications

Fixed hinge

1 BigBox frozen food drawer; for storage of large food items

SuperFreeze function with manual activation

Electronic temperature control

4 transparent freezer drawers and 1 flap

Dimensions (H x W x D): 122.1 x 55.8 x 54.5cm

Fridges – 102cm height

Serie 4 +

KIR31VS30G



Specifications

Sliding hinge

LED light

1 MultiBox container

SuperCool function

LED electronic control

4 glass shelves

Dimensions (H x W x D): 102.1 x 54.1 x 54.5cm

Fridges – 88cm height

Serie 4 +

KIL22VF30G



Specifications

Fixed hinge

LED light

LED electronic control

1 MultiBox container

Manual defrost freezer

1 EasyAccess shelf

4* freezer compartment

SuperCool

3 removable glass shelves

Dimensions (H x W x D): 87.4 x 54.1 x 54.5cm

Serie 4 +

KIR21VF30G



Specifications

Fixed hinge

LED light

LED electronic control

1 MultiBox container

1 EasyAccess shelf

4 removable glass shelves

SuperCool

Dimensions (H x W x D): 87.4 x 54.1 x 54.5cm

Freezers – 102cm height

Serie 6 ++

GIN31AE30G



Specifications

Fixed hinge

SuperFreeze function

Electronic temperature control

3 transparent freezer drawers and 1 flap

NoFrost freezer

Dimensions (H x W x D): 102.1 x 55.8 x 54.5cm

Fridges – 88cm height

Serie 6 ++

KIR21AF30G



Specifications

Fixed hinge

LED light

VitaFresh plus drawer

SuperCool

Electronic LED display

4 removable glass shelves

Dimensions (H x W x D): 87.4 x 55.8 x 54.5cm

Fridges – 88cm height

Serie 4 +

KIL22VS30G



Specifications

Sliding hinge

LED light

LED electronic control

1 MultiBox container

Manual defrost freezer

4* freezer compartment

SuperCool

3 removable glass shelves

Dimensions (H x W x D): 87.4 x 54.1 x 54.5cm

Serie 4 +

KIR21VS30G



Specifications

Sliding hinge

LED light

LED electronic control

1 MultiBox container

1 EasyAccess shelf

4 removable glass shelves

Dimensions (H x W x D): 87.4 x 54.1 x 54.5cm

Need to know more or get expert advice?

For in-depth appliance details please refer to the Product Specification section at the back of this brochure.

To understand more about the innovative features on our appliances visit www.bosch-home.co.uk

Fridges – 88cm height

Serie 2

KIR18V20GB



Specifications
Sliding hinge
1 x 15W light
1 MultiBox container
Mechanical control
4 removable glass shelves
Dimensions (H x W x D): 87.4 x 54.1 x 54.2cm

Freezers – 88cm height

Serie 6

GIV21AF30G



Specifications
Fixed hinge
SuperFreeze function
LED electronic control
Optical and acoustical door-open signal
3 freezer drawers
LowFrost – little need to defrost
Dimensions (H x W x D): 87.4 x 55.8 x 54.5cm

Built-under fridges – 82cm height

Serie 6

KUL15A60GB



Specifications
Fixed hinge
1 x 25W light
2 MultiBox containers
Auto defrost fridge
Ice box
Mechanical control
2 removable glass shelves
Dimensions (H x W x D): 82 x 59.8 x 54.8cm

Serie 6

KUR15A50GB



Specifications
Fixed hinge
1 x 25W light
2 MultiBox containers
Auto defrost fridge
Mechanical control
3 removable glass shelves
Dimensions (H x W x D): 82 x 59.8 x 54.8cm

Freezers – 88cm height

Serie 4

GID18A20GB



Specifications
Sliding hinge
Manual defrost freezer
Mechanical control
4 freezer drawers
Dimensions (H x W x D): 87.4 x 54.1 x 54.2cm

Freezers – 72cm height

Serie 6

GIV11AF30



Specifications
Fixed hinge
LED electronic control
SuperFreeze function
3 freezer drawers
Dimensions (H x W x D): 71.2 x 55.8 x 54.5cm

Built-under freezers – 82cm height

Serie 6

GUD15A50GB



Specifications
Fixed hinge
Manual defrost freezer
Mechanical control
SuperFreeze function
3 freezer drawers
Dimensions (H x W x D): 82 x 59.8 x 54.8cm

Alternative product
GID18A50GB Fixed hinge

Need to know more or get expert advice?

For in-depth appliance details please refer to the Product Specification section at the back of this brochure. To understand more about the innovative features on our appliances visit www.bosch-home.co.uk

American-style fridge freezers

Serie 8

+++

KAN92LB35G



High gloss black glass

Specifications

Noise level dB(A) re 1pW: 43
Electronic control with LED display
No plumbing required, internal ice maker
1 VitaFresh plus container
1 MultiBox container
MultiAirflow system
LED light
4 safety-glass shelves in fridge
2 freezer drawers on telescopic rails and 2 shelves
SuperCool and SuperFreeze
Dimensions (H x W x D): 175.6 x 91.20 x 73.20cm

American-style fridge freezers

Serie 6

++

KAN92VI35



Specifications

Noise level dB(A) re 1pW: 43
Electronic control with LED display
No plumbing required, internal ice maker
1 VitaFresh plus container
1 MultiBox container
MultiAirflow system
LED light
4 safety-glass shelves in fridge
2 freezer drawers on telescopic rails and 2 shelves
SuperCool and SuperFreeze
Dimensions (H x W x D): 175.6 x 91.20 x 73.20cm

American-style fridge freezers

Serie 8

+++

KAD92AI20G



Specifications

Noise level dB(A) re 1pW: 43
Home Connect
Electronic control with LED display
2 VitaFresh plus containers
1 MultiBox container
Ice and water dispenser
MultiAirflow system
LED light
4 safety-glass shelves in fridge
2 transparent freezer drawers
SuperCool and SuperFreeze
Dimensions (H x W x D): 175.6 x 91.20 x 73.20cm

American-style fridge freezers

Serie 6

++

KAG90AI20G



Specifications

Noise level dB(A) re 1pW: 43
HomeBar – tap to open
Electronic control with LED display
2 MultiBox containers
1 FreshProtect Box
Ice and water dispenser
MultiAirflow system
LED light
3 safety-glass shelves in fridge
2 transparent freezer drawers
SuperCool and SuperFreeze
Dimensions (H x W x D): 177 x 91 x 72cm

Need to know more or get expert advice?

For in-depth appliance details please refer to the Product Specification section at the back of this brochure.
To understand more about the innovative features on our appliances visit www.bosch-home.co.uk

American-style fridge freezers

Serie 6

++

KAD90VI20G



Specifications

Noise level dB(A) re 1pW: 43
Electronic control with LED display
2 MultiBox containers
Ice and water dispenser
MultiAirflow system
LED light
2 transparent freezer drawers
SuperCool and SuperFreeze
Dimensions (H x W x D): 177 x 91 x 72cm

American-style fridge freezers

Serie 6

++

KAD90VB20G



Specifications

Noise level dB(A) re 1pW: 43
Electronic control with LED display
2 MultiBox containers
Ice and water dispenser
MultiAirflow system
LED light
4 safety-glass shelves in fridge
2 transparent freezer drawers
SuperCool and SuperFreeze
Dimensions (H x W x D): 177 x 91 x 72cm

American-style fridge freezers

Serie 6

++

KAI90VI20G



Specifications

Noise level dB(A) re 1pW: 43
Electronic control with LED display
No plumbing required, 4 litre tank in fridge
2 MultiBox containers
Ice and water dispenser (via tank)
MultiAirflow system
LED light
4 safety-glass shelves in fridge
2 transparent freezer drawers
SuperCool and SuperFreeze
Dimensions (H x W x D): 177 x 91 x 72cm

Serie 4

+

KAN90VI20G



Specifications

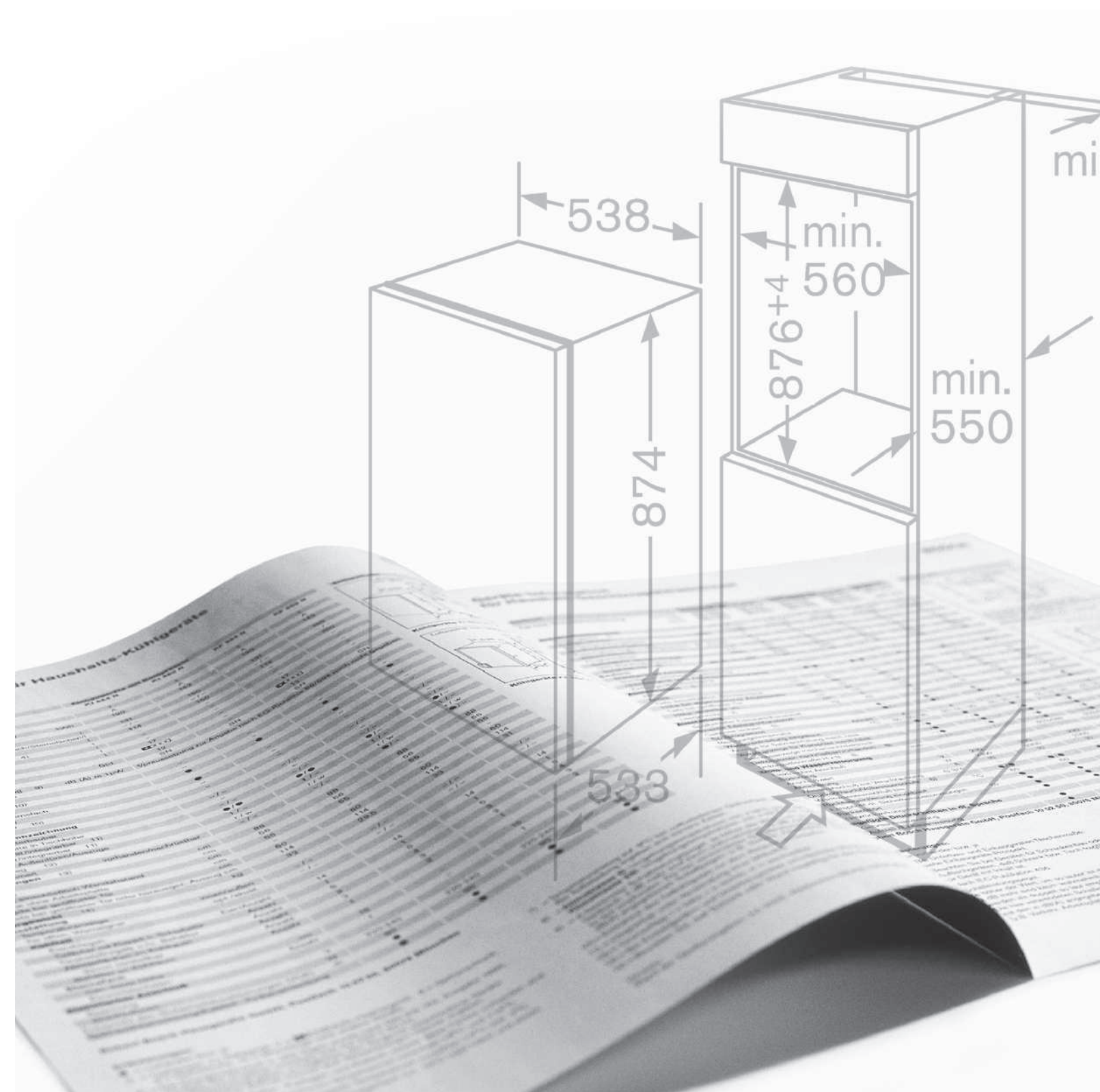
Noise level dB(A) re 1pW: 44
Electronic control with LED display
No plumbing required
2 MultiBox containers
1 FreshProtect Box
MultiAirflow system
LED light
4 safety-glass shelves in fridge
2 transparent freezer drawers
SuperCool and SuperFreeze
Dimensions (H x W x D): 177 x 91 x 72cm

Need to know more or get expert advice?

For in-depth appliance details please refer to the Product Specification section at the back of this brochure.
To understand more about the innovative features on our appliances visit www.bosch-home.co.uk

Product specification guide

2018



Installation tips

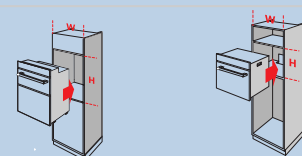
Ovens, microwaves and hobs

Flexibility to choose the way you want to cook

Whether you're creating a feast for fifteen, steaming a healthy meal, cooking for one or popping on a frozen meal, Bosch appliances have the flexibility to do the job.

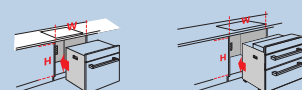
Built-in single and double ovens

The beauty of built-in ovens is that they can be housed in a variety of positions. For optimum convenience, install in standard tall cabinets at a level to suit the main users. Install single ovens alone, or together with a combination oven/microwave, built-in microwave, steam or combination steam oven. Hobs need to be bought separately.



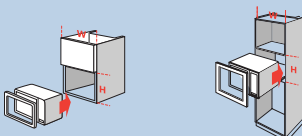
Built-under single and double ovens

Single ovens can also be installed under the work surface, directly below the hob, or apart from it. Bosch also offers double ovens that are specifically designed for installation under the work surface. Hobs need to be bought separately.



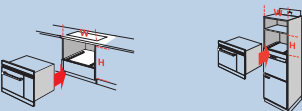
Compact steam, combination ovens and combination microwave ovens

Compact appliances offer a range of combination or specialist functions – for example steam cooking is one of the healthiest methods of cooking available – and are ideal if space is at a premium. If you have more room, they're perfect for providing extra capacity and flexibility above or alongside a suitable built-in single oven. Build in to a standard tall or base cabinet with or without a warming drawer.



Standard built-in microwaves

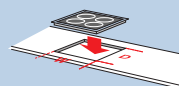
Depending on the model, you can install into a tall housing, or in a wall cupboard. Wall cupboard models are available in 50cm or 60cm widths.



Hobs

Choose from gas, induction, ceramic or sealed plate. Available in 6 widths: 30, 60, 70*, 75, 80 or 90cm.

*Available until September 2018.



Quick checklist

Ovens

- Standard single oven
- Double oven
- Built-under
- Built-in at eye level

Self-cleaning function

- Pyrolytic self-cleaning function
- EcoClean® self-cleaning programme

Steam oven/combination oven/combination microwave

- Steam combination oven
- Steamer
- Oven with integral microwave
- Combination microwave

Built-in

- Built-under
- Built-in wall cupboard installation
- 50cm wide
- 60cm wide

Hobs

- Gas
- Induction
- Ceramic
- Sealed plate
- 30cm wide
- 60cm wide
- 70cm wide
- 75cm wide
- 80cm wide
- 90cm wide

Installation tips

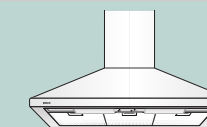
Hoods

Keep air fresh and free of cooking smells

Extractor hoods are an integral part of a clean and fresh working kitchen environment. Not only do Bosch extractor hoods look good and add a professional touch to your kitchen, they also deal quietly and efficiently with the key tasks of eliminating unwanted odours and removing grease and moisture from the kitchen.

Chimney extractor hoods

Choose between wall-mounted models or an island version to create a striking focal point in the kitchen. Some models are further enhanced by glass canopies. Available 60, 75 and 90cm wide.

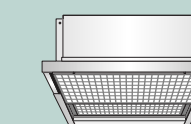


Chimney extractor easy mounting system

Installing your new cooker hood in the kitchen is quick and straightforward with the patented easy mounting system. The self-levelling fixing rings allow you to precision adjust the horizontal position of the hood by up to a 6mm radius.

Telescopic extractor

Ideal where an unobtrusive extractor is required. Built into a wall cabinet above the hob, it can be extended when in use, and retracted when not. Use the special handle profile accessory, or if you prefer, a matching pelmet from your kitchen supplier. 60 or 90cm wide.



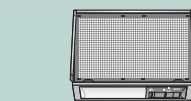
Conventional extractor hoods

Ideal where space is at a premium, these 14cm tall extractors can be mounted directly to the wall or suspended beneath a reduced height wall cupboard. 60cm wide.



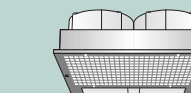
Integrated extractor hoods

Integrated extractor hoods are designed to be mounted between two cabinets with a matching furniture door affixed to the front.



Canopy extractor hoods

Designed to fit discreetly into the base of a wall cupboard, or specially designed furniture canopy with operation from below.



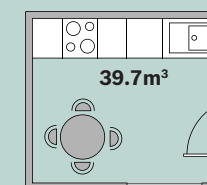
Choosing the correct extractor

As a guideline, the air in the room should be changed 6-12 times per hour. Calculate the floor area in square metres and multiply by the height of the room in metres. Then divide the maximum extraction rate of your chosen hood by the figure calculated above. The resulting figure should be at least 7, but preferably as close to 12 as possible.

Example

Kitchen (H x W x D) metres 2.1 x 4.5 x 4.2 = 39.7m³.
Assume a maximum of 12 air changes per hour – multiply 39.7m³ by 12 = 476m³/h.
Choose a hood capable of extracting at least this amount of air per hour – e.g. DWB96DM50B (max ducted extraction rate intensive 580m³ per hour).

To avoid excessive noise, try to select a model which meets the above requirements on an intermediate speed, rather than at the highest speed.



12 x 39.7m³ = 476m³/h

Quick checklist

Type of hood

- Chimney
- Telescopic
- Conventional
- Integrated
- Canopy
- Ceiling
- Dowlraft
- Ducted
- Re-circulated
- Width of hood
- Size of kitchen
- Required extraction rate:

Ducted or recirculation mode?

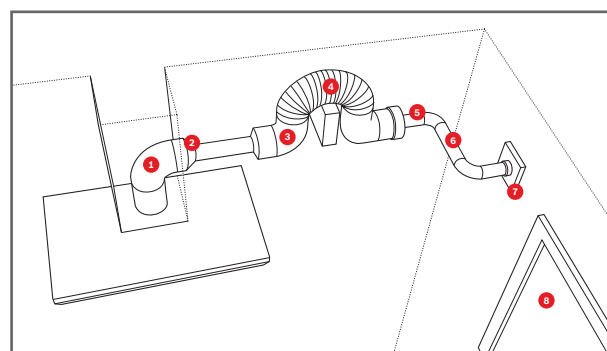
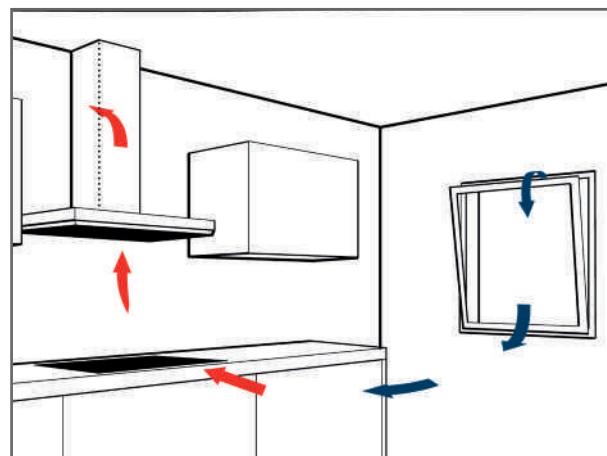
Ducted extraction

Ducting out is the most effective method of extraction if the hood can be sited on an outside wall, or an outside wall can be reached via ducting. The main difference between ducted and recirculation cooker hoods is that ducted systems can extract steam and odours, as well as grease. All our extractors are now standardized to a 150mm diameter outlet for easier installation. Use of 120/125mm diameter ducting is also possible, but will result in reduced air flow and increased noise. Use of 100mm diameter ducting is not recommended.

The following points should be observed for optimum ducted extraction results:

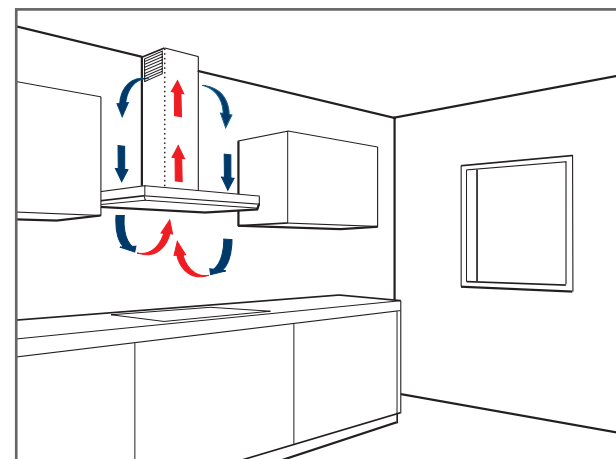
1. Ensure any pipe elbow bends are at least 30cm from the hood ducting opening.
2. Avoid reducing the diameter or area of the ducting.
3. Use wide-angled pipe elbows, but keep the number used to a minimum.
4. Only install pipes with smooth, even inner surfaces. If a flexible hose has to be used, ensure it is pulled tight to smooth out the ridges before fixing.
5. Avoid reducing the diameter or area of the ducting.
6. Use ducting pipes with a diameter of at least 120mm, but ideally 150mm.
7. Keep piping to a minimum – use the most direct route to external outlet.
8. Make sure that there is an adequate supply of fresh air to replace the air ducted out of the kitchen i.e. windows that can be opened, doors to adjacent rooms, air bricks.

Problems with installation may occur if points 1 to 8 are not observed.



Recirculation kit

Cooker hoods with recirculation are energy-efficient and much easier to install. Air is passed through the metal filter to extract the grease and then through a special charcoal filter, which removes odours. The purified air is then returned to the room. As no ducting openings are necessary, this is an energy efficient method of extraction as no energy can escape (ie. cool air in the summer or warm air in the winter), making it a good choice for low energy houses. The kit contains all you need to set the hood up for recirculation and installation is relatively easy. Check each model for details on the appropriate recirculation kit accessory.



Tips and hints

1. Calculate the extraction capacity needed.
2. Choose a hood with at least the same width of your hob.
3. Ensure efficient pipe ducting installation.
4. As a guide the hood should be installed at a minimum of 65cm above a gas hob or 55cm above an electric hob.
5. To effectively remove cooking odours from your kitchen, switch the hood on 5-10 minutes prior to cooking.
6. Leave the hood to run at a low setting after cooking has finished for 5-10 minutes to remove any lingering odours. Or simply select the Automatic After Running function, which enables the hood to continue running at a low speed for 10 minutes before automatically turning itself off (available on selected models).
7. Regularly clean metal grease filters to ensure optimum extraction performance. All of our metal grease filters, brushed steel filters and rim ventilation filters are dishwasher-proof.

Installation tips

Dishwashers

Integrated and semi-integrated dishwashers

Energy and water-efficient with outstanding performance, Bosch integrated dishwashers quietly do all the hard work for you behind closed doors.

Fully integrated dishwashers

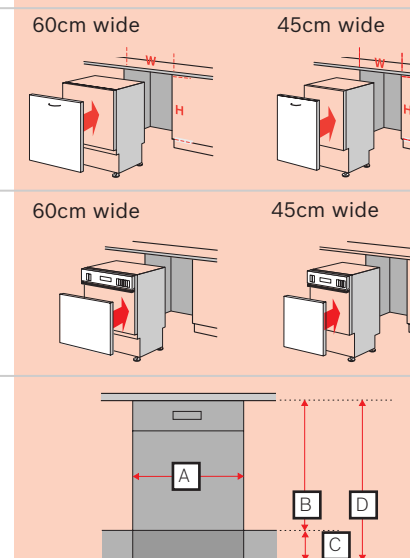
These models can be built under a worktop or sink drainer, between two units or at the end of a run of units. A furniture door is mounted on the appliance door so that the dishwasher is indistinguishable from other kitchen cabinets. Choose from full size 60cm wide, or slimline 45cm wide.

Semi-integrated dishwashers

A furniture door is mounted on the appliance door, so all that is seen of the dishwasher itself is the stylish control panel. Can be built under a worktop or sink drainer, between two units or at the end of a run of units. Available full size 60cm wide.

Built-in dimensions (60m wide)

If you have a recess height of 81.5 – 87.5cm, plan for an 81cm dishwasher. The appliance feet may be screwed out to a total height of 87.5cm. Or, if you have a recess height of 86.5 – 92.5cm plan for an 86cm dishwasher. The appliance feet screw out to a total height of 92.5cm.



Quick checklist

Type

Fully integrated dishwasher

- 60cm wide
- 45cm wide

Semi-integrated dishwasher (60cm wide)

- 81cm high
- 86cm high

Installation tips

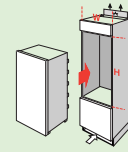
Integrated cooling

Individual, versatile and low on energy consumption

Bosch's range of fridges and freezers is as varied as today's lifestyle. With an impressive range of features and models on offer, there is something to suit everyone's shopping and cooking habits.

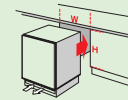
Built-in fridges and freezers, integrated

These models are designed to be built into standard cabinets. Door panels matching your kitchen cabinets are bolted to the appliance doors so that they blend in perfectly. Please ensure that recess height is correct. Door panels and cabinets should be obtained from your kitchen cabinet supplier.



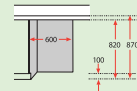
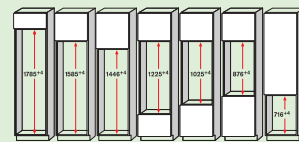
Built-under fridges and freezers, integrated

These models can be built under a continuous worktop between two cabinets, or at the end of a row of cabinets. A furniture door blends your appliance with the rest of your kitchen.



Recess dimensions

Built-under models permit variable plinth heights and are therefore suitable for different worktop heights. Dimensions (H x W): 100 x 600mm, 820 x 600mm, 870 x 600mm. Ventilation is through the plinth, no worktop cutting required.

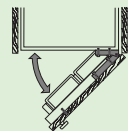


Hinge systems

Fixed hinges

This innovative easy-to-fit hinge system requires no extra drilling and permanently secures the appliance door to the furniture door. Offers a generous opening angle of 115° and features automatic door closing at an angle of less than 20°. Some models feature SoftClose doors, a damping system that means you can push your door to and it will close silently without a 'clunk', and it will never swing back open.

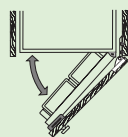
Fixed hinge system



Sliding hinges

A sliding hinge, attached to a slide connector is pre-fitted in the factory, this allows the appliance door to be coupled with the furniture door. It offers adjustment in depth and height for precise fitting.

Sliding hinge system



Quick checklist

Type

- Built-in fridge, integrated
- Built-in freezer, integrated
- Built-in fridge freezer, integrated
- Built-under fridge, integrated
- Built-under freezer, integrated

Height:

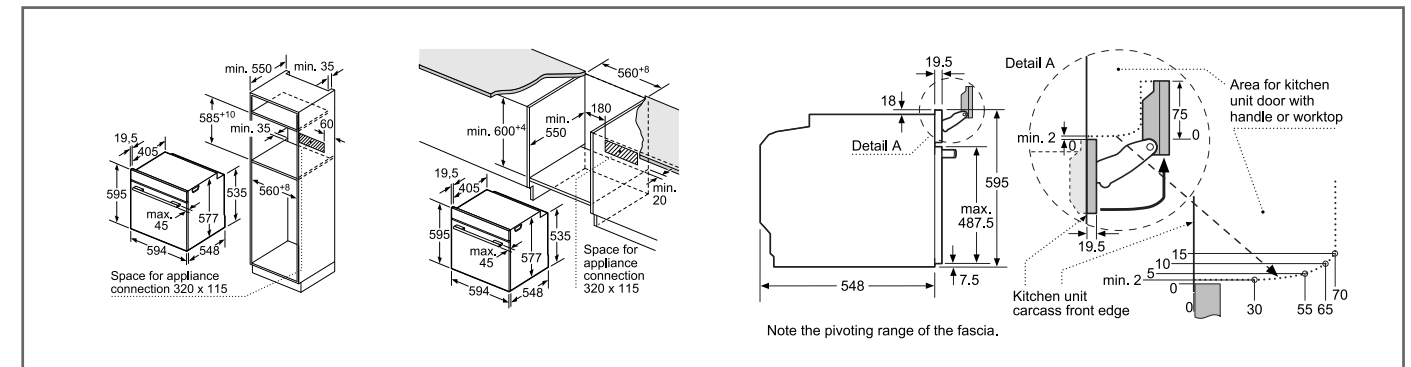
- Width:

Hinge system

- Fixed hinge system
- Sliding hinge system

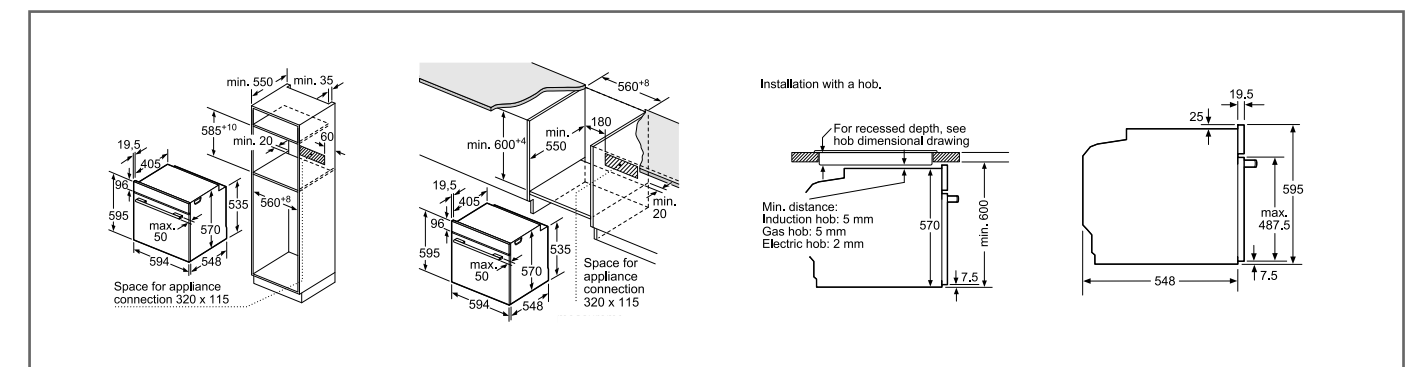
Ovens technical diagrams

Single and double ovens



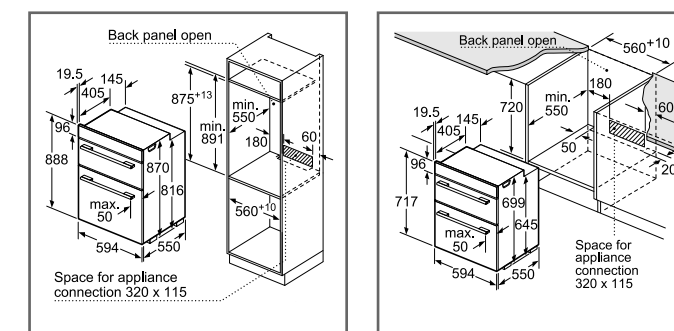
Single ovens

HRG6769S6B, HBG6764S6B, HBG6764B6B, HBG674BS1B, HBG674BB1B, HBG656RS6B, HBG656RB6B, HBG634BS1B, HBG634BB1B



Single ovens

HBG5785S0B, HBA5780S0B, HBS573BS0B, HBG5585S0B, HBA5570S0B, HBS534BS0B, HBS534BB0B, HBS534BW0B



Built-in double ovens

MBA5575S0B, MBA5350S0B, MBS533BS0B, MBS533BB0B, MBS533BW0B

Built-under double ovens

NBA5570S0B, NBA5350S0B, NBS533BS0B, NBS533BB0B, NBS533BW0B

All diagram measurements are in millimetres (mm)

We try to keep up to date with constant technological improvements, so from time to time we may update installation guidelines. Therefore we strongly recommend that you download the latest installation guidelines from www.bosch-home.co.uk. Line drawings are for guidance only, and we recommend that you refer to the latest installation guidelines. Though every care is taken to ensure instructions are correct at the time of printing, Bosch cannot accept responsibility for incorrect planning or installation as a result of the use of these line drawings.

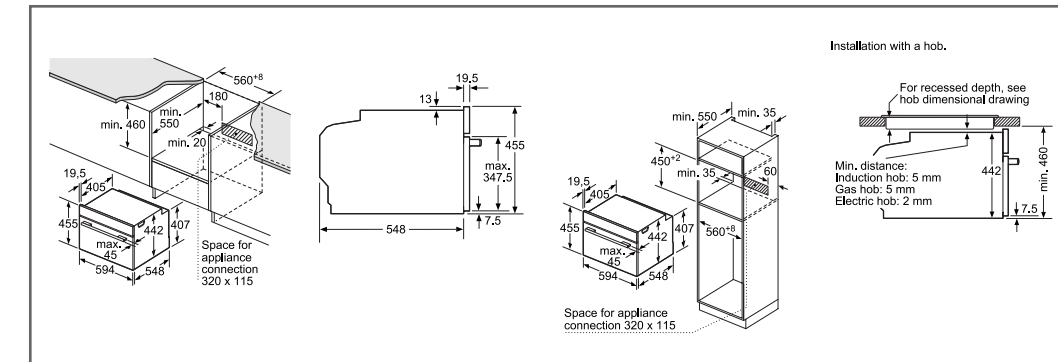
Built-in double oven specifications

OVEN TYPE	BUILT-IN DOUBLE		BUILT-IN DOUBLE		BUILT-IN DOUBLE		BUILT-UNDER DOUBLE		BUILT-UNDER DOUBLE		BUILT-UNDER DOUBLE	
DESIGN FAMILY	SERIE 6		SERIE 6		SERIE 4		SERIE 6		SERIE 6		SERIE 4	
MODEL	MBA5575S0B		MBA5350S0B		MBS533BS0B		NBA5570S0B		NBA5350S0B		NBS533BS0B	
Brushed Steel	•		•		•		•		•		•	
Black	-		-		-		-		-		-	
White					MBS533BB0B						NBS533BB0B	
					MBS533BW0B						NBS533BW0B	
KEY FEATURES	Main	2nd	Main	2nd	Main	2nd	Main	2nd	Main	2nd	Main	2nd
Single-point temperature probe	•	-	•	-	-	-	-	-	-	-	-	-
Automatic cooking programmes	10	-	10	-	-	-	-	-	-	-	-	-
DESIGN FEATURES	Main	2nd	Main	2nd	Main	2nd	Main	2nd	Main	2nd	Main	2nd
LCD Display-control	•	-	•	-	-	-	-	-	-	-	-	-
LED Display-control	-	-	-	-	•	•	•	•	•	•	•	•
Retractable control dial(s)	•	•	•	•	•	•	•	•	•	•	•	•
Black handle fixing blocks	•	•	•	•	•	•	•	•	•	•	•	•
Electronic control	•	-	•	-	-	-	-	-	-	-	-	-
Digital temperature display with proposal	•	-	•	-	-	-	-	-	-	-	-	-
Heating up/residual heat indicator	•	-	•	-	-	-	-	-	-	-	-	-
Control panel lock	•	-	•	-	•	•	•	•	•	•	•	•
Automatic safety switch off	-	-	-	-	-	-	-	-	-	-	-	-
Sabbath setting	-	-	-	-	-	-	-	-	-	-	-	-
CLEANING	Main	2nd	Main	2nd	Main	2nd	Main	2nd	Main	2nd	Main	2nd
Pyrolytic self cleaning function	-	-	-	-	-	-	-	-	-	-	-	-
EcoClean® back/roof/side liners	•/•/•	•/•/•	•/•/•	•/•/•	•/•/•	•/•/•	•/•/•	•/•/•	•/•/•	•/•/•	•/•/•	•/•/•
EcoClean® cleaning programme	•	-	•	-	•	-	•	-	•	-	•	-
FEATURES	Main	2nd	Main	2nd	Main	2nd	Main	2nd	Main	2nd	Main	2nd
Electronic clock timer with automatic on/off programmer	White LCD	-	White LCD	-	Red LED	-	White LCD	-	White LCD	-	Red LED	-
Interior lights	1 x 25W Halo	1 x 25W Halo	1 x 25W Halo	1 x 25W Halo	1 x 25W Halo	1 x 25W Halo	1 x 25W Halo	1 x 25W Halo	1 x 25W Halo	1 x 25W Halo	1 x 25W Halo	1 x 25W Halo
Number of shelf positions	5	3	5	3	5	3	3	3	3	3	3	3
Full glass inner door	•	•	•	•	•	•	•	•	•	•	•	•
PROGRAMMES / FUNCTIONS	Main	2nd	Main	2nd	Main	2nd	Main	2nd	Main	2nd	Main	2nd
3D Hot Air	•	-	•	-	•	-	•	-	•	-	•	-
Hotair Gentle	•	-	•	-	•	-	•	-	•	-	•	-
Defrost	-	-	-	-	-	-	-	-	-	-	-	-
Pizza Setting	•	-	•	-	•	-	•	-	•	-	•	-
Conventional top & bottom heat	•	•	•	•	•	•	•	•	•	•	•	•
Bottom heat	•	•	•	•	•	•	•	•	•	•	•	•
Full width variable grill	•	•	•	•	•	•	•	•	•	•	•	•
Half width variable grill	•	•	•	•	•	•	•	•	•	•	•	•
Hot air grilling	•	-	•	-	•	-	•	-	•	-	•	-
Low temperature cooking	-	-	-	-	-	-	-	-	-	-	-	-
Keep warm	-	-	-	-	-	-	-	-	-	-	-	-
Fast heat	•	-	•	-	•	-	•	-	•	-	•	-
ENERGY EFFICIENCY	Main	2nd	Main	2nd	Main	2nd	Main	2nd	Main	2nd	Main	2nd
Energy efficiency rating ²	A	B	A	B	A	B	A	B	A	B	A	B
Energy consumption hot air (kWh)	0.81	-	0.81	-	0.81	-	0.71	-	0.71	-	0.71	-
Energy consumption conventional (kWh)	0.97	0.97	0.97	0.97	0.97	0.97	0.80	0.80	0.80	0.80	0.80	0.80
Time to cook standard load (min)	44	44	44	44	44	44	45	45	45	45	45	45
Largest baking sheet area (cm ²)	1290		1290		1290		1290		1290		1290	
PERFORMANCE / TECHNICAL INFORMATION	Main	2nd	Main	2nd	Main	2nd	Main	2nd	Main	2nd	Main	2nd
Cavity height (mm)	357	166	357	166	357	166	237	166	237	166	237	166
Cavity width (mm)	480	480	480	480	480	480	480	480	480	480	480	480
Cavity depth (mm)	415	415	415	415	415	415	415	415	415	415	415	415
Oven capacity (litres) ¹	71	34	71	34	71	34	47	34	47	34	47	34
Total connected loading (W)	5900		5900		5900		5300		5300		5300	
STANDARD ACCESSORIES	Main	2nd	Main	2nd	Main	2nd	Main	2nd	Main	2nd	Main	2nd
Full width enamelled pan	1	-	1	-	1	-	1	-	1	-	1	-
Wire shelves	3	-	3	-	3	-	2	-	2	-	2	-
Half tray	-	-	-	-	2	-	-	-	-	-	1	-
1 set of level independent telescopic rails	1	-	1	-	-	-	1	-	1	-	-	-

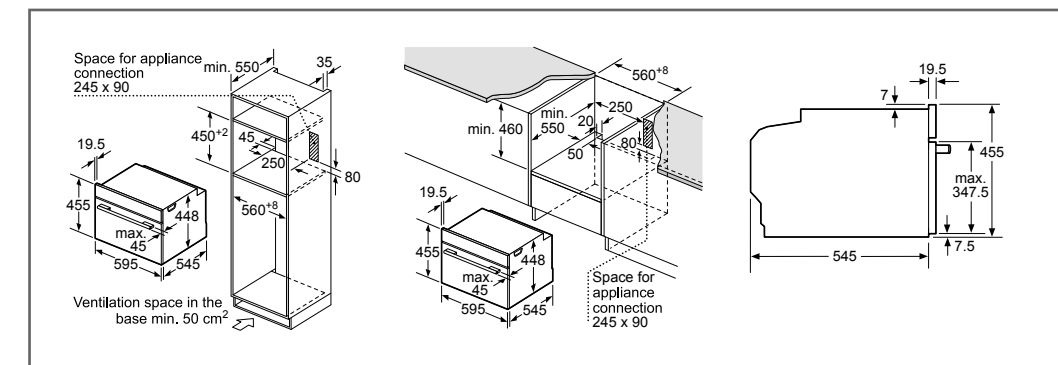
• Yes - No

Compact appliances technical diagrams

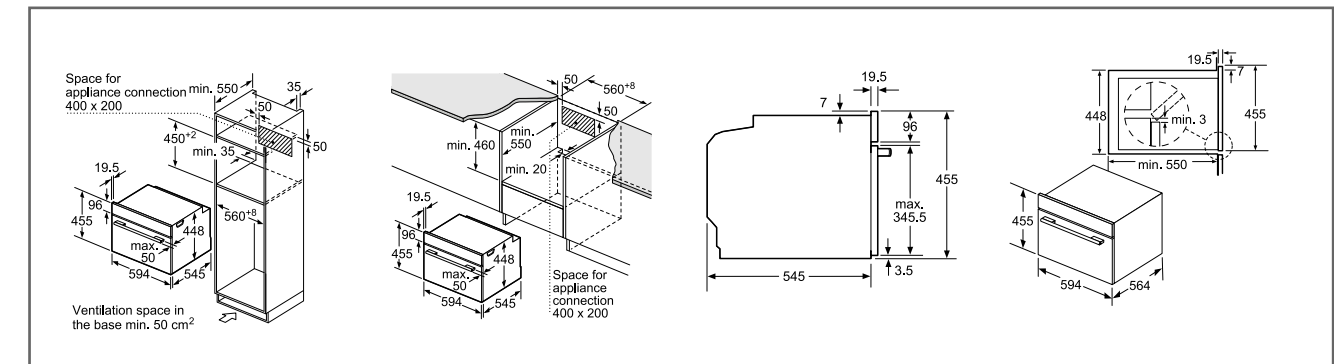
Compact ovens, compact steam ovens, compact microwave combination oven



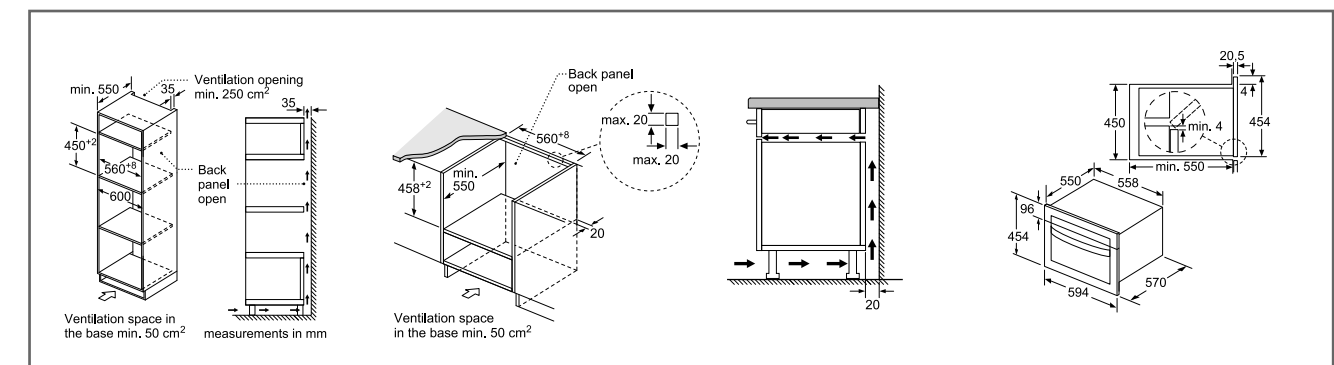
Compact ovens CBG675BS1B, CSG656BS6B, CDG634BS1B, CNG6764S6B, CMG676BS6B, CMG656BS6B, CMG656BB6B, CMG633BS1B, CMG633BB1B



Compact Microwave CFA634GS1B



Compact Combination Microwave Oven with Steam CPA565GS0B



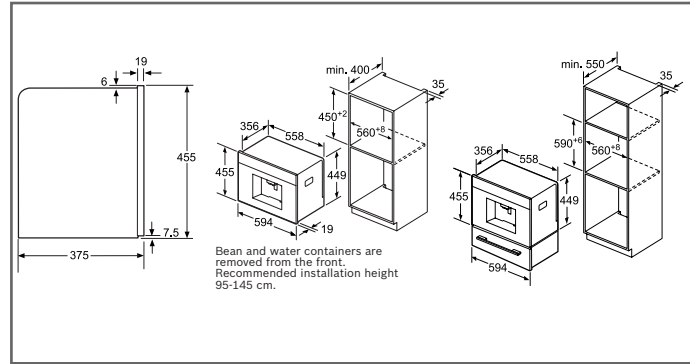
Compact Combination Microwave Ovens CMA585MS0B, CMA583MS0B

All diagram measurements are in millimetres (mm)

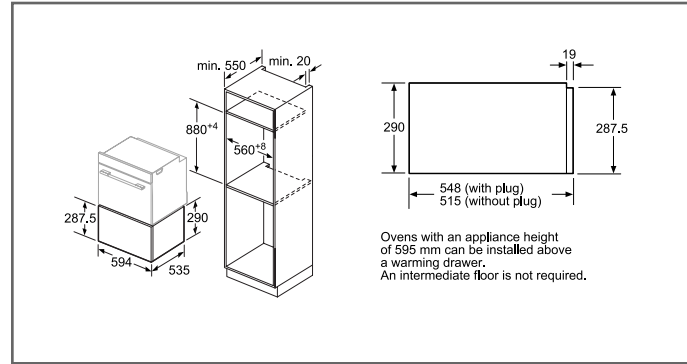
All models comply with COMMISSION REGULATION (EC) No 1275/2008 with regard to ecodesign requirements for standby and off mode electric power consumption. We try to keep up to date with constant technological improvements, so from time to time we may update installation guidelines. Therefore we strongly recommend that you download the latest installation guidelines from www.bosch-home.co.uk. Line drawings are for guidance only, and we recommend that you refer to the latest installation guidelines. Though every care is taken to ensure instructions are correct at the time of printing, Bosch cannot accept responsibility for incorrect planning or installation as a result of the use of these line drawings.

Compact appliances technical diagrams

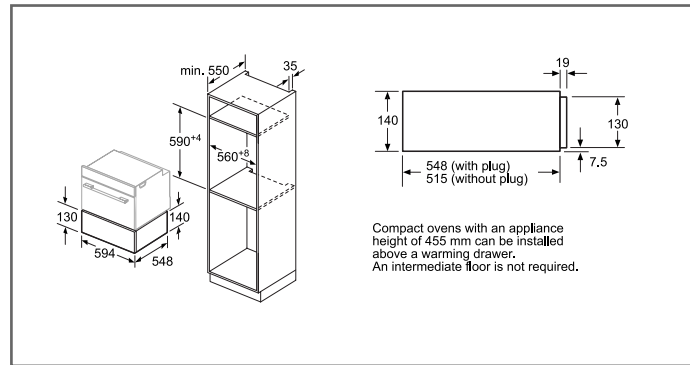
Compact coffee maker, warming drawers



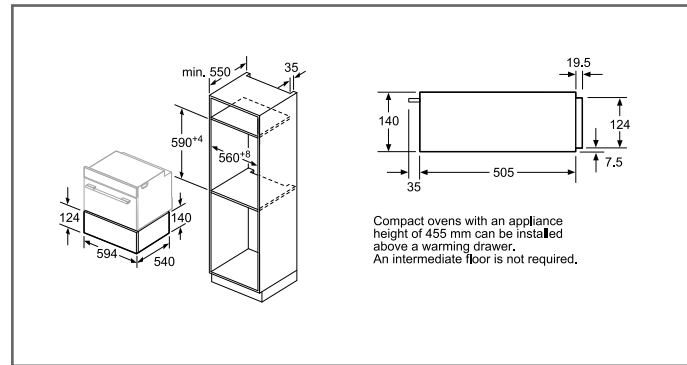
Coffee maker CTL636ES6



Warming drawer BID630NS1B installed with 60cm high single oven.

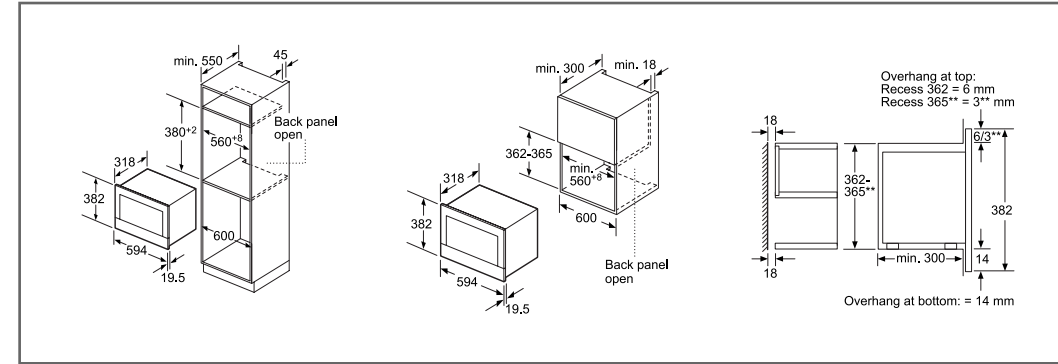


Warming drawers BIC630NS1B, BIC630NB1B installed with 45cm high compact oven.

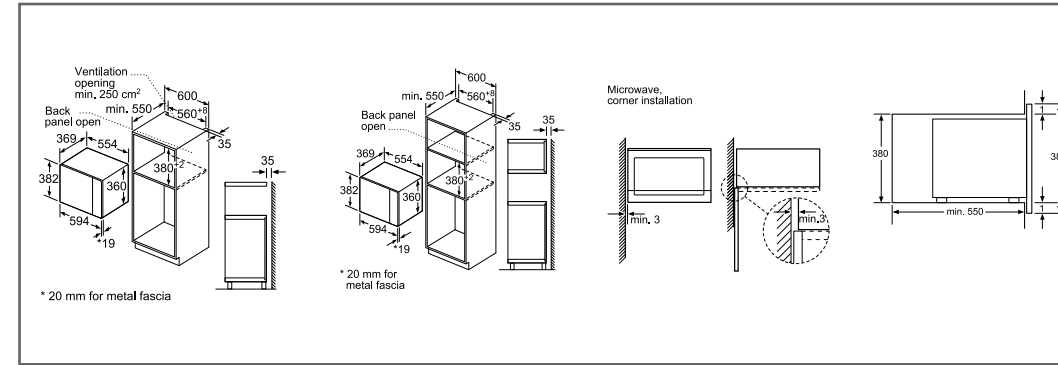


Warming drawers BIC510NS0B installed with 45cm high compact oven.

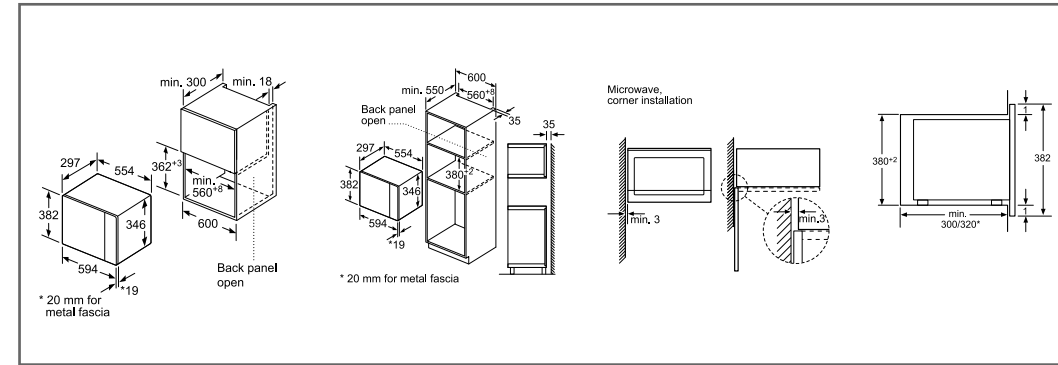
Microwave ovens



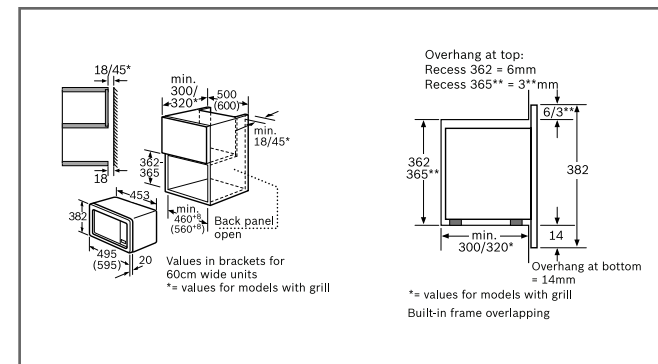
Microwaves BEL634GS1B, BFL634GS1B, BFL634GB1B



Microwaves BFL554MS0B, BEL553MS0B, BFL553MS0B, BFL553MB0B, BFL553MW0B



Microwaves BFL524MS0B, BEL523MS0B, BFL523MS0B, BFL523MB0B, BFL523MW0B



HMT75M551B

All diagram measurements are in millimetres (mm)

All models comply with COMMISSION REGULATION (EC) No 1275/2008 with regard to ecodesign requirements for standby and off mode electric power consumption. We try to keep up to date with constant technological improvements, so from time to time we may update installation guidelines. Therefore we strongly recommend that you download the latest installation guidelines from www.bosch-home.co.uk. Line drawings are for guidance only, and we recommend that you refer to the latest installation guidelines. Though every care is taken to ensure instructions are correct at the time of printing, Bosch cannot accept responsibility for incorrect planning or installation as a result of the use of these line drawings.

Explore more at www.bosch-home.co.uk

All diagram measurements are in millimetres (mm)

All models comply with COMMISSION REGULATION (EC) No 1275/2008 with regard to ecodesign requirements for standby and off mode electric power consumption. We try to keep up to date with constant technological improvements, so from time to time we may update installation guidelines. Therefore we strongly recommend that you download the latest installation guidelines from www.bosch-home.co.uk. Line drawings are for guidance only, and we recommend that you refer to the latest installation guidelines. Though every care is taken to ensure instructions are correct at the time of printing, Bosch cannot accept responsibility for incorrect planning or installation as a result of the use of these line drawings.

Making **life easy** through innovative technologies

Microwave oven specifications

OVEN TYPE	MICROWAVE WITH GRILL	MICROWAVE	MICROWAVE	MICROWAVE
DESIGN FAMILY	SERIE 8	SERIE 8	SERIE 6	SERIE 6
MODEL	BEL634GS1B	BFL634GS1B	BFL554MS0B	BFL524MS0B
Brushed Steel	●	●	●	●
Black	-	BFL634GB1B	-	-
White	-	-	-	-
KEY FEATURES				
TFT Display	●	●	-	-
Control wheel	●	●	-	-
Control dials with metal cap	-	-	●	●
Control Dials standard	-	-	-	-
Touch control	●	●	●	●
Push buttons	-	-	-	-
Left hinged door	●	●	●	●
Electronic door opening	●	●	●	●
FEATURES				
Electronic clock timer	White TFT	White TFT	White LED	White LED
Retractable control dial(s)	-	-	1	1
Interior lights	1 x 2W LED	1 x 2W LED	1 x 3W LED	1 x 3W LED
Stainless steel interior	●	●	●	●
PROGRAMMES / FUNCTIONS				
Microwave	●	●	●	●
Quartz grill	●	-	-	-
Microwave and Grill Combination operation	●	-	-	-
Automatic programmes	10	7	7	7
Memory function	-	-	1	1
PERFORMANCE / TECHNICAL INFORMATION				
Cavity dimensions HxWxD (mm)	220x350x270	220x350x270	208x328x369	201x308x282
Useable oven capacity (litres)	21	21	25	20
Installation in tall housing	●	●	●	●
Installation 60cm wide wall unit	●	●	-	●
Installation 50cm wide wall unit	-	-	-	-
Inverter technology ¹	●	●	-	-
Microwave distribution	Stirrer	Stirrer	Turntable	Turntable
Turntable diameter (mm)	-	-	315	255
Maximum microwave power (W) ²	900	900	900	800
Number of microwave power levels	5	5	5	5
Total connected loading (W)	1990	1220	1450	1270
Cable length (cm)	150	150	130	130
GB plug	●	●	●	●
STANDARD ACCESSORIES				
Glass pan	1	-	-	-
Enamelled pan	-	-	-	-
Wire rack	1	-	-	-
Turntable	-	-	1	1

● = Yes - = No

OVEN TYPE	MICROWAVE WITH GRILL	MICROWAVE	MICROWAVE WITH GRILL	MICROWAVE	MICROWAVE
DESIGN FAMILY	SERIE 4	SERIE 4	SERIE 4	SERIE 4	SERIE 2
MODEL	BEL553MS0B	BFL553MS0B	BEL523MS0B	BFL523MS0B	HMT75M551B
Brushed Steel	●	●	●	●	●
Black	-	BFL553MB0B	-	BFL523MB0B	-
White	-	BFL553MW0B	-	BFL523MW0B	-
KEY FEATURES					
TFT Display	-	-	-	-	-
Control wheel	-	-	-	-	-
Control dials with metal cap	-	-	-	-	-
Control dials standard	●	●	●	●	●
Touch control	●	●	●	●	-
Push buttons	-	-	-	-	●
Left hinged door	●	●	●	●	●
Electronic door opening	●	●	●	●	-
FEATURES					
Electronic clock timer	Red LED	Red LED	Red LED	Red LED	Red LED
Retractable control dial(s)	1	1	1	1	1
Interior lights	1 x 3W LED	1 x 3W LED	1 x 3W LED	1 x 3W LED	1 x standard
Stainless steel interior	●	●	●	●	●
PROGRAMMES / FUNCTIONS					
Microwave	●	●	●	●	●
Quartz grill	●	-	●	-	-
Microwave and Grill Combination operation	●	-	●	-	-
Automatic programmes	8	7	8	7	7
Memory function	1	1	1	1	1
PERFORMANCE / TECHNICAL INFORMATION					
Cavity dimensions HxWxD (mm)	208x328x369	208x328x369	201x308x282	201x308x282	194x290x285
Useable oven capacity (litres)	25	25	20	20	17
Installation in tall housing	●	●	●	●	-
Installation 60cm wide wall unit	-	-	●	●	-
Installation 50cm wide wall unit	-	-	-	-	●
Inverter technology ¹	-	-	-	-	-
Microwave distribution	Turntable	Turntable	Turntable	Turntable	Turntable
Turntable diameter (mm)	315	315	255	255	245
Maximum microwave power (W) ²	900	900	800	800	800
Number of microwave power levels	5	5	5	5	5
Total connected loading (W)	1450	1450	1270	1270	1270
Cable length (cm)	130	130	130	130	130
GB plug	●	●	●	●	●
STANDARD ACCESSORIES					
Glass pan	-	-	-	-	-
Enamelled pan	-	-	-	-	-
Wire rack	1	-	1	-	-
Turntable	1	1	1	1	1

● = Yes - = No

¹For further information on inverter technology, please go to www.bosch-home.co.uk. ²For Inverter models, the maximum setting offers a time limited boost option for heating liquids. To ensure optimal results and to protect the appliance, the microwave power output is reduced in stages over the first few minutes down to the next power level (600W). After a cooling period, the microwave boost option will be available once more. For full specification details, please log onto our website and download a full specification. All models comply with COMMISSION REGULATION (EC) No 1275/2008 with regard to ecodesign requirements for standby and off mode electric power consumption.

Compact coffee centre specification

DESIGN FAMILY	SERIE 8
Stainless Steel	CTL636ES6
KEY FEATURES	
Home Connect	●
Home Connect connectivity	Wi-Fi
TFT Touch display with ClearText	●
Left hinged door to access interior	●
DESIGN	
Control panel height (mm)	96
Control wheel	●
KEY FEATURES	
Electronic control	●
SensoFlow system	●
Aroma pressure system	●
Auto valve system	●
FEATURES	
Main on / off switch	●
Bean container / Ground coffee container	●/●
Container empty warning indicators for water / beans	●/●
Cleaning / descaling / filter warning indicators	●/●/●
Ceramic coffee grinders	●
Multilevel grinding setting	●
Cup illumination	●
Height adjustable coffee outlet (mm)	7-15
Height adjustable milk nozzle (mm)	7-15
Removable, insulated milk container	●
Removable water tank	●
Adjustable automatic switch off setting	●
Integrated water filter	●
Removable spillage collection tray	●
Removable used coffee grounds collection container	●
PROGRAMMES / FUNCTIONS	
Personalised milk beverage	1 or 2 cup
Milk foam	1 or 2 cup
Hot water	1 or 2 cup
Warm milk	1 or 2 cup
Ristretto	1 or 2 cup
Coffee	1 or 2 cup
Espresso	1 or 2 cup
Cappuccino	1 or 2 cup
Latte Macchiato	1 or 2 cup
Caffe latte	1 or 2 cup
Espresso Macchiato	1 or 2 cup
One touch function for milk drinks	●
Coffee temperature options	3
Hot water temperature options	4
Milk foam / frothing function	●/●
Hot milk function	●
Cleaning / descaling / combined programmes	●/●/●
Automatic rinse when switched on/off	●/●
PERFORMANCE / TECHNICAL INFORMATION	
Recommended installation height (mm)	950-1450
Installation in a tall housing	●
Insulated milk container capacity (litres)	0.5
Brewing chamber volume (g)	8-12
Bean container	500
Ground coffee container	●
Water tank capacity (litres)	2.4
Total connected loading (W)	1600
Cable length (cm)	170
GB plug	●

● = Yes - = No

Warming and storage drawer specifications

DESIGN FAMILY	SERIE 8	SERIE 8	SERIE 6/4
Stainless Steel trim	BID630NS1B	BIC630NS1B	BIC510NS0B
Black	-	BIC630NB1B	-
KEY FEATURES			
Electronic control	●	●	-
SoftClose mechanism	●	●	-
Toughened glass drawer base	●	●	-
Slow cooking option	●	●	-
DESIGN			
Install independently	●	●	●
Install with compact appliance	Serie 8	Serie 8	Serie 4 or 6
Install with a single oven	Serie 8	Serie 8	Serie 4 or 6
Push-pull opening mechanism	●	●	●
FUNCTIONS			
Keep warm	●	●	●
Plate warming	●	●	●
Defrost	●	●	●
Low Temperature Cooking	●	●	-
FEATURES			
Operating indicator light	Red	Red	Red
Rotary temperature control dial	●	●	●
Anti-slip mat	-	-	●
Number of settings	4	4	3
Maximum temperature (C°)	80	80	80
Minimum temperature (C°)	40	40	40
Maximum loading (plates)	40	12	14
Maximum loading (espresso cups)	192	64	64
Maximum weight capacity (kg)	25	25	15
PERFORMANCE / TECHNICAL INFORMATION			
Cavity dimensions HxWxD (mm)	242x468x458	92x468x458	475x100x490
Drawer interior volume (litres)	52	20	23
Installation in a tall housing	●	●	●
Installation under work surface	●	●	●
Nominal voltage (V)	220-240	220-240	220-240
Total connected loading (W)	810	810	400
Cable length (cm)	150	150	150
GB plug	●	●	●
Appliance weight (kg)	21.0	16.0	14.0
Safety approved	●	●	●

● = Yes - = No

Oven and compact appliance accessories

	SERIE 4 & 6				
	Single Ovens	45cm Compact Ovens		Compact Ovens	Double Ovens*
ROASTING & BAKING ACCESSORIES					
HEZ634000	Full width wire shelf for all Serie 8, 6 & 4 ovens and Serie 8 compact ovens	●	●	●	-
HEZ631070	Colour coordinated full width enamelled baking tray for Serie 8 ovens and Serie 8 compact ovens	●	●	-	-
HEZ531000	Colour coordinated full width enamelled baking tray for Serie 6 and Serie 4 single and double ovens	-	-	●	-
HEZ631010	Colour coordinated full width baking tray with non-stick coating for Serie 8 ovens and Serie 8 compact ovens	●	●	-	-
HEZ531010	Colour coordinated full width baking tray with non-stick coating for Serie 6 and Serie 4 single and double ovens	-	-	●	-
HEZ530000	Two piece slim pan set for Serie 6 and Serie 4 single and double ovens	-	-	●	-
HEZ625071	Two piece enamelled anti-splash pan insert for Serie 8, 6 & 4 ovens and Serie 8 compact ovens	●	●	●	-
HEZ636000	Full width glass tray for Serie 8, 6 & 4 ovens and Serie 8 compact ovens	●	●	●	-
HEZ864000	Glass serving dish - approx 40 x 25cm - for Serie 8, 6 & 4 ovens and Serie 8 compact ovens	●	●	●	-
HEZ915003	5.4L capacity oval glass casserole dish with lid for Serie 8, 6 & 4 ovens and Serie 8 compact ovens	●	●	●	-
TELESCOPIC RAILS					
HEZ638100	Single level telescopic shelf rail set for Serie 8 single ovens	●	-	-	-
HEZ538000	1 pair of level independent telescopic rails for Serie 6 & 4 single and double ovens	-	-	●	-
HEZ638170	Single level telescopic shelf rail set Serie 8 single pyrolytic ovens	-	-	-	●
HEZ638300	Triple level telescopic shelf rails for Serie 8, 6 & 4 single and Serie 6 & 4 double ovens	●	-	●	-
HEZ631010	Triple level telescopic shelf rails set for Serie 8 single pyrolytic ovens	-	-	-	-
HEZ638108	Single level telescopic shelf rail set Serie 8 compact ovens	-	●	-	-
HEZ638178	Single level telescopic shelf rail set for Serie 8 compact pyrolytic ovens	-	-	-	-
INSTALLATION ACCESSORIES					
HEZ6BMA00	Metal platform and brackets suited to combinations of Serie 8 60cm Single ovens and 45cm Compact ovens in column (special single aperture required)	●	●	-	-
HEZ660060	Cosmetic decor strip for use between 60cm single and 45cm compact ovens	●	●	●	-

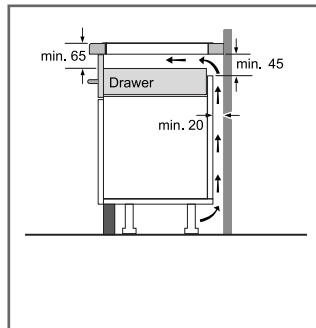
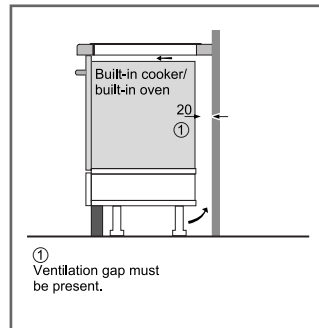
● = Yes - = No

*Main oven only.

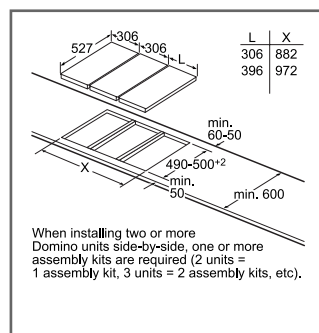
Optional accessories not suited for use during pyrolytic cleaning cycle

Electric hobs technical diagrams

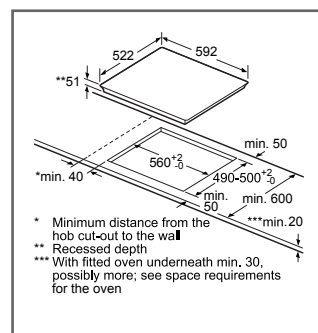
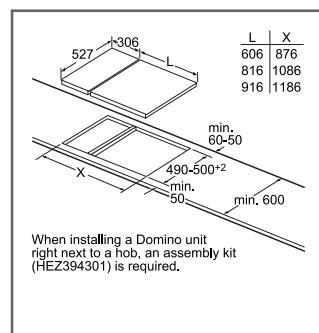
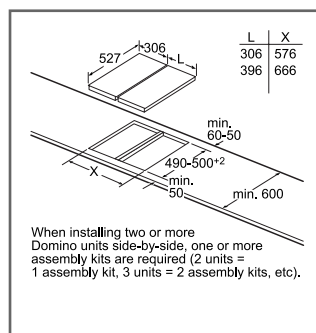
All models



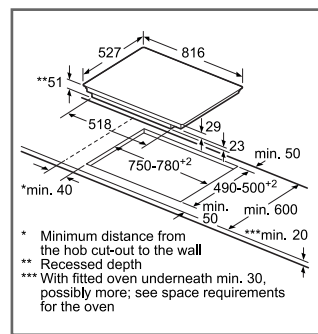
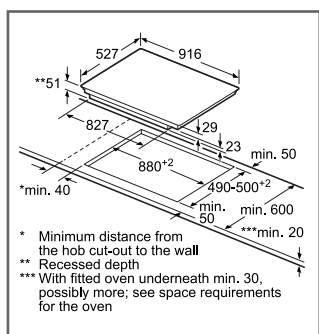
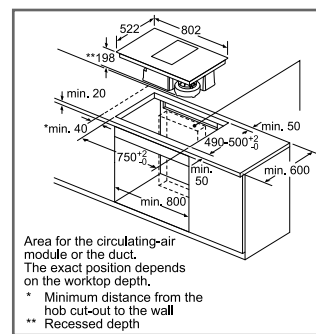
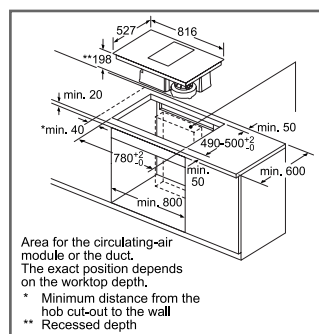
Induction all models



Induction all models



FlexInduction hobs

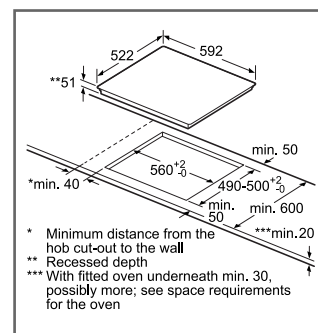
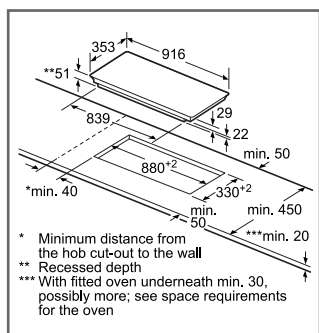
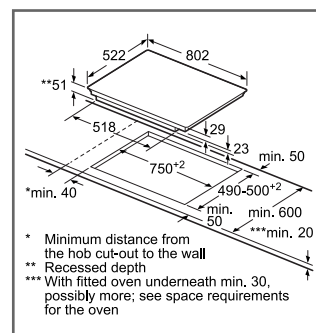
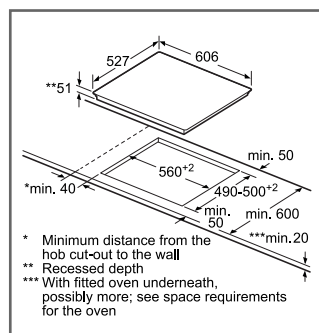


PXX875D34E

PVS851F21E

PXX975KW1E

PXY875KW1E, PXY875DE3E,
PXV875DV1E, PXE875BB1E



PXY675DE3E, PXX675DV1E,
PXE675BB1E

PXV851FC1E

PXX275FC1E

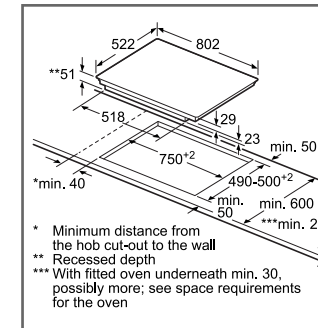
PXE651FC1E

All diagram measurements are in millimetres (mm)

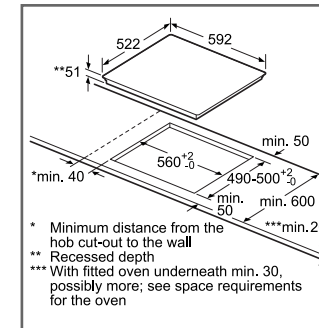
We try to keep up to date with constant technological improvements, so from time to time we may update installation guidelines. Therefore we strongly recommend that you download the latest installation guidelines from www.bosch-home.co.uk. Line drawings are for guidance only, and we recommend that you refer to the latest installation guidelines. Though every care is taken to ensure instructions are correct at the time of printing, Bosch cannot accept responsibility for incorrect planning or installation as a result of the use of these line drawings.

Electric hobs technical diagrams

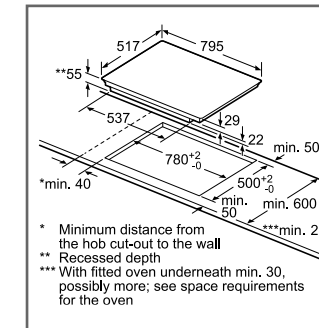
Induction hobs



PWV851FB1E, PIV851FB1E

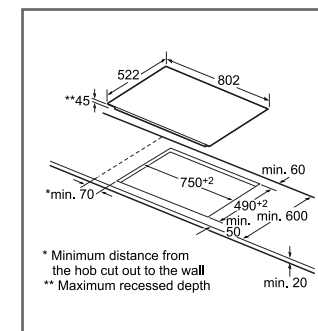


PVS651FB1E, PIE651BB1E,
PWP631BB1E, PUE611BB1E,
PWP631BF1B, PUE611BF1B

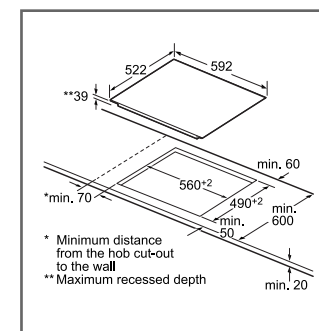


PIE845BB1E

Quick-Therm Ceramic hobs

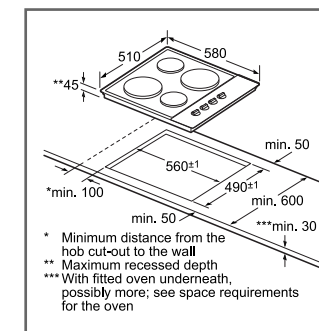


PKN811D17E

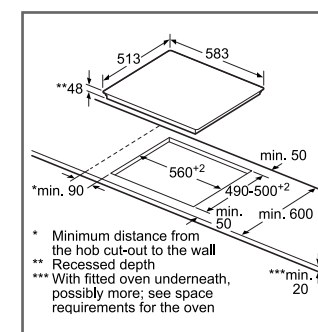


PKE611D17E

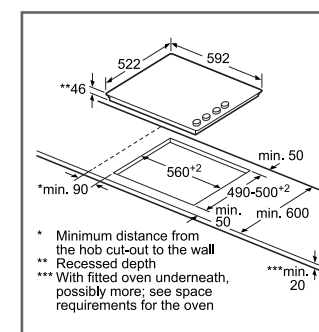
Sealed Plate Electric hobs



PEE689CA1, PEE682CA1,
PEE686CA1



PKE645B17E



PKE652CA1E, PKE611CA1E

All diagram measurements are in millimetres (mm)

We try to keep up to date with constant technological improvements, so from time to time we may update installation guidelines. Therefore we strongly recommend that you download the latest installation guidelines from www.bosch-home.co.uk. Line drawings are for guidance only, and we recommend that you refer to the latest installation guidelines. Though every care is taken to ensure instructions are correct at the time of printing, Bosch cannot accept responsibility for incorrect planning or installation as a result of the use of these line drawings.

Induction hobs specifications

HOB TYPE	INDUCTION							
DESIGN FAMILY	SERIE 6	SERIE 6	SERIE 4	SERIE 6	SERIE 4	SERIE 4	SERIE 4	SERIE 4
MODEL	PIV851FB1E	PVS651FB1E	PIE651BB1E	PIE845BB1E	PWP631BB1E	PUE611BB1E	PWP631BF1B	PUE611BF1B
Width (mm)	802	592	592	795	592	592	592	592
Control position	Front	Front	Front	Front	Front	Front	Front	Front
Control type	DirectSelect	DirectSelect	TouchSelect	TouchSelect	TouchSelect	TouchSelect	TouchSelect	TouchSelect
Style	Bevel front & sides	Bevel front & sides	Bevel front & sides	Stainless Steel Trim	Bevel front	Frameless	Bevel front	Frameless
KEY FEATURES								
Home Connect	-	-	-	-	-	-	-	-
HoodControl	-	-	-	-	-	-	-	-
5" Full Touch colour display	-	-	-	-	-	-	-	-
Dish categories	-	-	-	-	-	-	-	-
Wireless temperature sensor	-	-	-	-	-	-	-	-
Wireless sensor settings	-	-	-	-	-	-	-	-
PerfectFry sensor settings	-	-	-	-	-	-	-	-
Number of FlexInduction zones	-	-	-	-	-	-	-	-
Extended FlexInduction zone	-	-	-	-	-	-	-	-
Number of CombiZones	-	1	-	-	1	-	1	-
powerBoost	●	●	●	●	●	●	●	●
panBoost	-	-	-	-	-	-	-	-
MoveMode	-	2 stages	-	-	-	-	-	-
Automatic setting transfer	-	-	-	-	-	-	-	-
Energy consumption display	●	●	-	-	-	-	-	-
Plug & Play 13A connection	-	-	-	-	-	-	●	●
FEATURES								
Number of individual zones	5	4	4	4	4	4	4	4
Power levels	17	17	17	17	17	17	17	17
Digital display	●	●	●	●	●	●	●	●
Timer with automatic switch off for each zone	●	●	●	●	●	●	●	●
Count up timer	-	-	-	-	-	-	-	-
QuickStart	●	●	●	●	●	●	●	●
ReStart	●	●	●	●	●	●	●	●
Keep warm function	-	-	-	-	-	-	-	-
Wipe protection function	-	-	-	-	-	-	-	-
Can be combined with other models with Comfort Profile	-	-	-	-	-	-	-	-
SAFETY FEATURES								
Main on/off switch	●	●	●	●	●	●	●	●
Two-stage residual heat indicators	●	●	●	●	●	●	●	●
Safety lock	●	●	●	●	●	●	●	●
Automatic pan recognition	●	●	●	●	●	●	●	●
Timed safety switch off	●	●	●	●	●	●	●	●
PERFORMANCE / TECHNICAL INFORMATION								
Nominal voltage (V)	220-240	220-240	220-240	220-240	220-240	220-240	220-240	220-240
Maximum power output (W)	7,400	6,800	7,400	7,400	4,600	4,600	3,000	3,000
Electrical cable length (cm)	110	110	110	110	110	110	110	110
GB plug	-	-	-	-	-	-	●	●
Rear left FlexInduction zone (kW/mm)	-	-	-	-	-	-	-	-
Rear left zone (kW/mm)	1.40 145	2.20 210	1.80 180	1.40 145x145	1.80 180	1.80 180	1.80 180	1.80 180
Rear right FlexInduction zone (kW/mm)	-	-	-	-	-	-	-	-
Rear right zone (kW/mm)	1.40 145	1.40 145	1.40 145	-	1.40 145	1.40 145	1.40 145	1.40 145
Rear centre zone (kW/mm)	2.20 240	-	-	3.30 280x280	-	-	-	-
Front centre zone (kW/mm)	-	-	-	-	-	-	-	-
Front left FlexInduction zone (kW/mm)	-	-	-	-	-	-	-	-
Front left zone (kW/mm)	1.80 180	2.20 210	1.80 180	2.20 210x210	1.80 180	1.80 180	1.80 180	1.80 180
Front right FlexInduction zone (kW/mm)	-	-	-	-	-	-	-	-
Front right zone (kW/mm)	2.20 210	1.80 180	2.20 210	1.40 145x145	2.20 210	2.20 210	2.20 210	2.20 210
FlexInduction zone left (kW/mm)	-	-	-	-	-	-	-	-
FlexInduction zone right (kW/mm)	-	-	-	-	-	-	-	-
Extended FlexInduction rear left (kW/mm)	-	-	-	-	-	-	-	-
Extended FlexInduction rear right (kW/mm)	-	-	-	-	-	-	-	-
CombiZone left (kW/mm)	-	3.60 439x210	-	-	3.60 388x180	-	3.60 388x180	-
CombiZone right (kW/mm)	-	-	-	-	-	-	-	-
Rear left zone – with powerBoost (max. kW)	2.20	3.70	3.10	3.70	3.10	3.10	3.10	3.10
Rear right zone – with powerBoost (max. kW)	2.20	2.20	2.20	-	2.20	2.20	2.20	2.20
Rear centre zone – with powerBoost (max. kW)	3.70	-	-	3.70	-	-	-	-
Front centre zone – with powerBoost (max. kW)	-	-	-	-	-	-	-	-
Front left zone – with powerBoost (max. kW)	3.10	3.70	3.10	3.70	3.10	3.10	3.10	3.10
Front right zone – with powerBoost (max. kW)	3.70	3.10	3.70	2.20	3.70	3.70	3.70	3.70
OPTIONAL ACCESSORIES								
Wireless temperature sensor	-	-	-	-	-	-	-	-
Set of four pans (3 x pans, 1 x sauté pan)	HEZ390042	HEZ390042	HEZ390042	HEZ390042	HEZ390042	HEZ390042	HEZ390042	HEZ390042
Rectangular roasting pan with lid (approx. 320x200mm)	-	-	-	-	-	-	-	-
Steamer pan insert for use with HEZ390011 roasting pan	-	-	-	-	-	-	-	-
Teppan Yaki (approx. 300x200mm)	-	-	-	-	-	-	-	-
Teppan Yaki (approx. 400x200mm)	-	-	-	-	-	-	-	-
Griddle plate (approx. 400x200mm)	-	-	-	-	-	-	-	-

● = Yes - = No

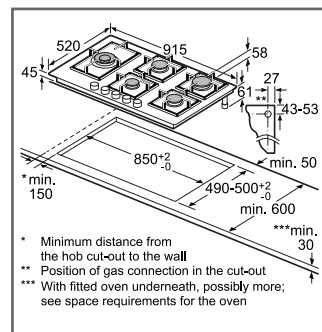
Electric hobs specifications

HOB TYPE	QUICK-THERM CERAMIC				SEALED PLATE ELECTRIC			
DESIGN FAMILY	SERIE 4	SERIE 4	SERIE 4	SERIE 2	SERIE 2	SERIE 2	SERIE 2	SERIE 2
MODEL	PKN811D17E	PKE645B17E	PKE611D17E	PKE652CA1E	PKE611CA1E	PEE689CA1	PEE682CA1	PEE686CA1
DESIGN								
Width (mm)	802mm	583mm	592mm	592mm	592mm	580mm	580mm	580mm
Control position	Front	Front	Front	Side	Side	Side	Side	Side
Control type	Touch Control	Touch Control	Touch Control	Control Dials	Control Dials	Control Dials	Control Dials	Control Dials
Style	Frameless	Stainless Steel Trim	Frameless	White – frameless	Frameless	Stainless Steel	White Metal	Black Metal
FEATURES								
Number of individual zones	4	4	4	4	4	4	4	4
Number of dual zones	2	-	-	1	-	-	-	-
Number of extendable zones	1	-	-	-	-	-	-	-
powerBoost	●	-	-	-	-	-	-	-
panBoost	●	-	-	-	-	-	-	-
Power levels	17	17	17	9	9	9	9	9
Digital display	●	●	●	-	-	-	-	-
Timer with automatic switch off for each zone	●	●	●	-	-	-	-	-
Keep warm function	●	-	-	-	-	-	-	-
Wipe protection function	●	-	-	-	-	-	-	-
SAFETY FEATURES								
Main on/off switch	●	●	●	-	●	-	-	-
Two-stage residual heat indicators	●	●	●	●	●	-	-	-
Safety lock	●	●	●	●	●	-	-	-
Timed safety switch off	●	●	●	●	●	-	-	-
PERFORMANCE/TECHNICAL INFORMATION								
Nominal voltage (V)	220-240	220-240	220-240	220-240	220-240	220-240	220-240	220-240
Maximum power output (W)	9300	6600	6600	6600	6600	7000	7000	7000
Electrical cable length (m)	1.1	1.1	1.1	1.1	1.1	1.1	1.1	1.1
GB plug	-	-	-	-	-	-	-	-
Rear left zone (kW/mm)	1.2 145	2 180	2 180	2 180	2.2 210	1.5 145	1.5 145	1.5 145
Rear right zone (kW/mm)	1.2 145	1.2 145	1.2 145	1.2 145	1.2 145	2 180	2 180	2 180
Rear centre zone (kW/mm)	1.7-2.4 230	-	-	-	-	-	-	-
Front centre zone (kW/mm)	-	-	-	-	-	-	-	-
Front left zone (kW/mm)	0.8-2.1 210	1.2 145	1.2 145	1.2 145	1.2 145	2 180	2 180	2 180
Front right zone (kW/mm)	1.8-2.6 265	2.2 210	2.2 210	2.2 210	2 180	1.5 145	1.5 145	1.5 145
Rear left zone – with powerBoost (max. kW)	-	-	-	-	-	-	-	-
Rear right zone – with powerBoost (max. kW)	-	-	-	-	-	-	-	-
Rear centre zone – with powerBoost (max. kW)	3.4	-	-	-	-	-	-	-
Front centre zone – with powerBoost (max. kW)	-	-	-	-	-	-	-	-
Front left zone – with powerBoost (max. kW)	-	-	-	-	-	-	-	-
Front right zone – with powerBoost (max. kW)	2.6	-	-	-	-	-	-	-

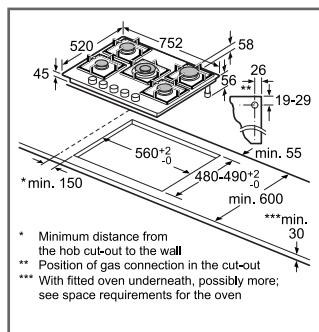
● = Yes - = No

Gas hobs technical diagrams

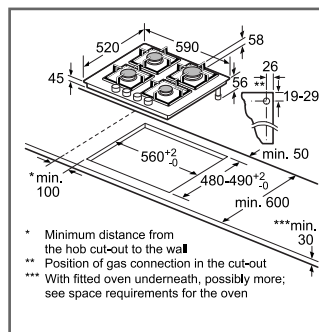
Gas hobs



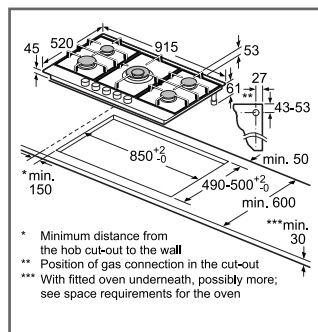
PPS9A6B90



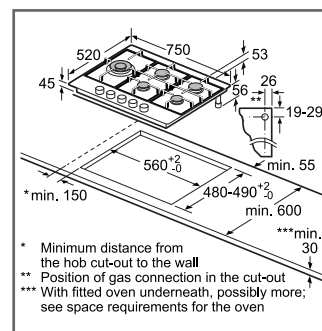
PPQ7A6B90



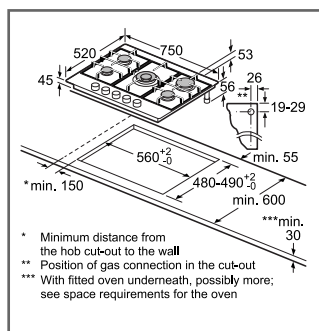
PPP6A6B90 | PNP6B6B80



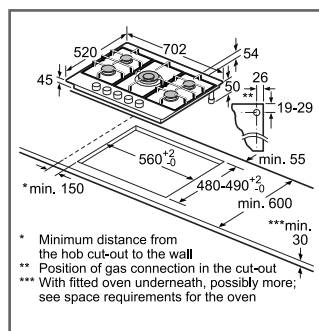
PCR9A5B90



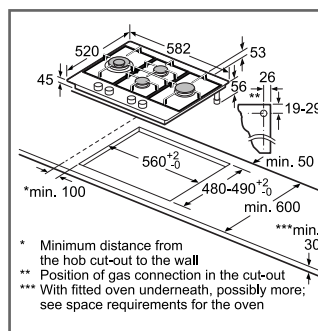
PCS7A5B90



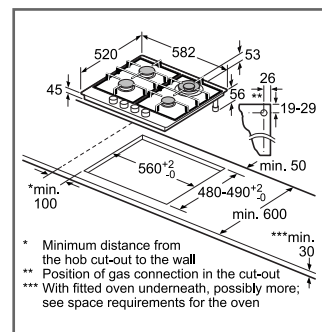
PCQ7A5B90



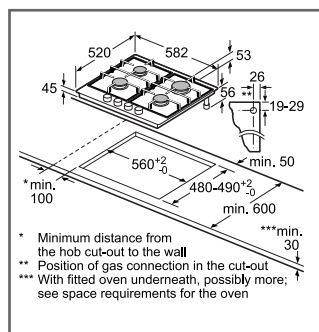
PCQ715B90E



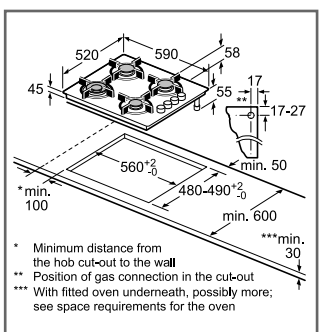
PCI6A5B90



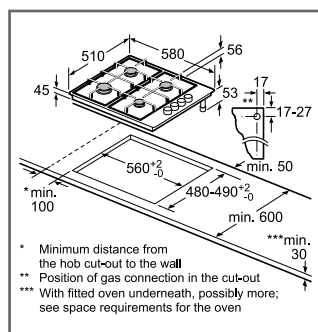
PCH6A5B90 | PGH6B5B60



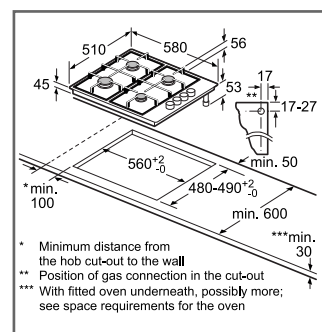
PCP6A5B90 | PCP6A6B90 | PCP6A2B90



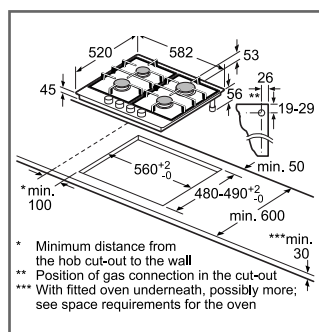
POP6B6B80



PBH6B5B60



PBP6B5B60 | PBP6B6B60 | PBP6B2B60



PGP6B5B60 | PGP6B6B60 | PGP6B2B60

All diagram measurements are in millimetres (mm)

We try to keep up to date with constant technological improvements, so from time to time we may update installation guidelines. Therefore we strongly recommend that you download the latest installation guidelines from www.bosch-home.co.uk. Line drawings are for guidance only, and we recommend that you refer to the latest installation guidelines. Though every care is taken to ensure instructions are correct at the time of printing, Bosch cannot accept responsibility for incorrect planning or installation as a result of the use of these line drawings.

Explore more at www.bosch-home.co.uk

Gas hobs specifications

HOB TYPE	GAS HOB							
DESIGN FAMILY	SERIE 6	SERIE 6	SERIE 6	SERIE 6	SERIE 6	SERIE 6	SERIE 6	SERIE 6
Stainless Steel / Stainless Steel trim	-	-	-	PCR9A5B90	PCS7A5B90	PCQ7A5B90	PCQ715B90E	PCI6A5B90
Black / Premium black	PPS9A6B90	PPQ7A6B90	PPP6A6B90	-	-	-	-	-
White / Premium white	-	-	-	-	-	-	-	-
DESIGN								
Width (mm)	915	752	590	915	750	750	702	582
Control position	Front	Front	Front	Front	Front	Front	Front	Front
KEY FEATURES								
FlameSelect power controls	●	●	●	●	●	●	-	●
Digital power level display	-	-	-	-	-	-	-	-
Number of dual circuit wok-style burners	1	1	-	1	1	1	1	1
High power (5.0kW+) wok burner	-	-	-	●	●	-	-	-
Dual control wok burner	-	-	-	●	●	-	-	-
"Diamond" shape burner layout	-	-	-	-	-	-	-	●
Hob surface type	Tempered glass	Tempered glass	Tempered glass	Metal	Metal	Metal	Metal	Metal
FEATURES								
Number of cooking zones	5	5	4	5	5	5	5	4
Individual power levels	9	9	9	9	9	9	-	9
Variable power levels	-	-	-	-	-	-	●	-
Ignition via control dials	●	●	●	●	●	●	●	●
Flame-failure safety device	●	●	●	●	●	●	●	●
Cast iron pan supports (number)	3	5	4	3	3	3	2	2
Cast iron finish pan supports (number)	-	-	-	-	-	-	-	-
Enamelled steel pan supports (number)	-	-	-	-	-	-	-	-
Low profile single-piece burners	-	-	-	-	-	-	-	-
Two-piece burners	●	●	●	●	●	●	●	●
Comfort Profile	-	-	-	-	-	-	-	-
Can be combined with other models with Comfort Profile	-	-	-	-	-	-	-	-
Installation flush with work top possible	●	●	●	-	-	-	-	-
PERFORMANCE/TECHNICAL INFORMATION								
Nominal voltage (V)	220-240	220-240	220-240	220-240	220-240	220-240	220-240	220-240
Maximum gas power output load (W)	11500	11500	7500	12500	12500	11500	11400	9750
Total connected electrical load (W)	1	1	1	1	1	1	1	1
Cable length (cm)	150	100	100	150	100	100	100	100
GB plug	-	-	-	-	-	-	-	-
Left burner power (kW)	4	-	-	-	5	-	-	4
Front left burner power (kW)	-	1	1.75	1	-	1	1	-
Back left burner power (kW)	-	1.75	1.75	1.75	-	1.75	1.7	-
Centre/Centre front burner power (kW)	1	4	-	5	1	4	4	1
Centre back burner power (kW)	1.75	-	-	-	1.75	-	-	1.75
Front right burner power (kW)	1.75	1.75	1	1.75	1.75	1.75	1.7	-
Back right burner power (kW)	3	3	3	3	3	3	3	-
Right burner power (kW)	-	-	-	-	-	-	-	3
Pre-set for natural gas	●	●	●	●	●	●	●	●
CE Marked	●	●	●	●	●	●	●	●
STANDARD ACCESSORIES								
LPG jets	28-30/37mbar	28-30/37mbar	28-30/37mbar	28-30/37mbar	28-30/37mbar	28-30/37mbar	28-30/37mbar	28-30/37mbar
OPTIONAL ACCESSORIES								
Connecting Strip to link other Comfort Profile models	-	-	-	-	-	-	-	-

● = Yes - = No

All models comply with COMMISSION REGULATION (EC) No 1275/2008 with regard to ecodesign requirements for standby and off mode electric power consumption. For full specification details, please log onto our website and download a full specification sheet.

Making **life easy** through innovative technologies

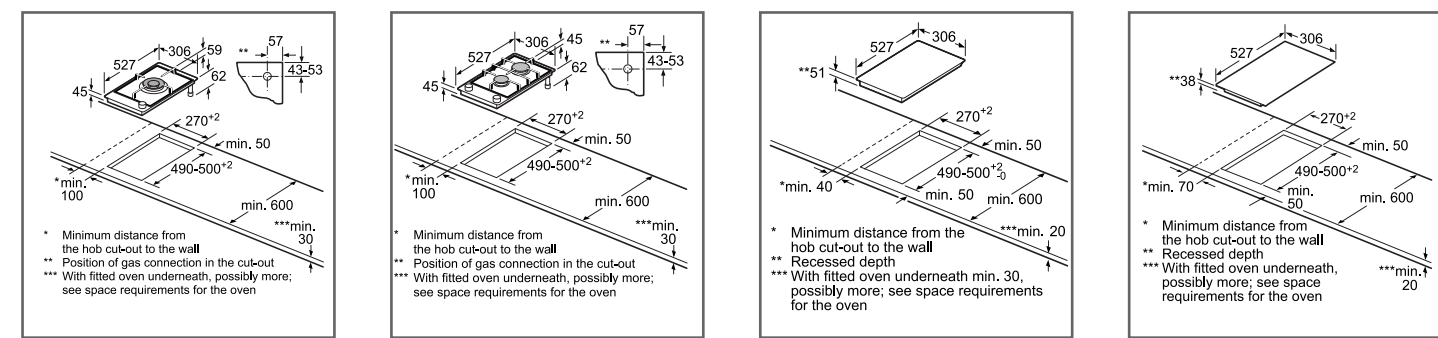
Gas hobs specifications

HOB TYPE	GAS HOB							
DESIGN FAMILY	SERIE 6	SERIE 4	SERIE 4	SERIE 4	SERIE 4	SERIE 2	SERIE 2	SERIE 2
Stainless Steel / Stainless Steel trim	PCH6A5B90	PGH6B5B60	PCP6A5B90	PGP6B5B60	-	-	PBH6B5B60	PBP6B5B60
Black / Premium black	-	-	PCP6A6B90	PGP6B6B60	PNP6B6B80	POP6B6B80	-	PBP6B6B60
White / Premium white	-	-	PCP6A2B90	PGP6B2B60	-	-	-	PBP6B2B60
DESIGN								
Width (mm)	582	582	582	582	590	590	580	580
Control position	Front	Front	Front	Front	Front	Right Side	Right Side	Right Side
KEY FEATURES								
FlameSelect power controls	●	-	●	-	-	-	-	-
Digital power level display	-	-	-	-	-	-	-	-
Number of dual circuit wok-style burners	1	1	-	-	-	-	1	-
High power (5.0kW+) wok burner	-	-	-	-	-	-	-	-
Dual control wok burner	-	-	-	-	-	-	-	-
"Diamond" shape burner layout	-	-	-	-	-	-	-	-
Hob surface type	Metal	Metal	Metal	Metal	Tempered glass	Tempered glass	Metal	Metal
FEATURES								
Number of cooking zones	4	4	4	4	4	4	4	4
Individual power levels	9	-	9	-	-	-	-	-
Variable power levels	-	●	-	●	●	●	●	●
Ignition via control dials	●	●	●	●	●	●	●	●
Flame-failure safety device	●	●	●	●	●	●	●	●
Cast iron pan supports (number)	2	-	2	-	-	-	-	-
Cast iron finish pan supports (number)	2	2	-	2	-	-	2	2
Enamelled steel pan supports (number)	-	-	-	-	2	2	-	-
Low profile single-piece burners	-	-	-	-	-	-	-	-
Two-piece burners	●	●	●	●	●	●	●	●
Comfort Profile	-	-	-	-	-	-	-	-
Can be combined with other models with Comfort Profile	-	-	-	-	-	-	-	-
Installation flush with work top possible	-	-	-	-	-	●	-	-
PERFORMANCE/TECHNICAL INFORMATION								
Nominal voltage (V)	220-240	220-240	220-240	220-240	220-240	220-240	220-240	220-240
Maximum gas power output load (W)	8000	8000	7500	7500	7500	7400	7700	7400
Total connected electrical load (W)	1	1	1	1	1	1	1	1
Cable length (cm)	100	100	100	100	100	100	100	100
GB plug	-	-	-	-	-	-	-	-
Left burner power (kW)	-	-	-	-	-	-	-	-
Front left burner power (kW)	1.75	1.75	1.75	1.75	1.75	3	3.3	3
Back left burner power (kW)	1.75	1.75	1.75	1.75	1.75	1.7	1.7	1.7
Centre/Centre front burner power (kW)	-	-	-	-	-	-	-	-
Centre back burner power (kW)	-	-	-	-	-	-	-	-
Front right burner power (kW)	1	1	1	1	1	1	1	1
Back right burner power (kW)	3.3	3.3	3	3	3	1.7	1.7	1.7
Right burner power (kW)	-	-	-	-	-	-	-	-
Pre-set for natural gas	●	●	●	●	●	●	●	●
CE Marked	●	●	●	●	●	●	●	●
STANDARD ACCESSORIES								
LPG jets	28-30/37mbar	28-30/37mbar	28-30/37mbar	28-30/37mbar	28-30/37mbar	28-30/37mbar	28-30/37mbar	28-30/37mbar
OPTIONAL ACCESSORIES								
Connecting Strip to link other Comfort Profile models	-	-	-	-	-	-	-	-

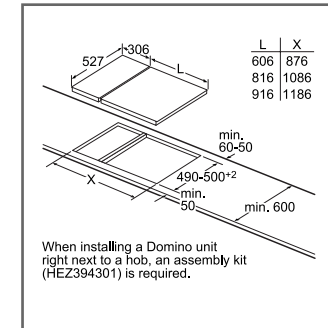
● = Yes - = No

Domino technical diagrams

Domino hobs



PRA3A6D70 PRB3A6D70 PIB375FB1E PKF375FP1E



Domino combination possibilities with corresponding device and cutout dimensions

Width type: 30 40 60 70 80 90
 Device width: 306 396 606 710 816 916

	A	B	C	D	L	X				
2x30,							306	306	612	576
1x30, 1x40							306	396	702	666
1x30, 1x60							306	606	912	876
1x30, 1x70							306	710	1016	980
1x30, 1x80							306	816	1122	1086
1x30, 1x90							306	916	1222	1186
2x40							396	396	792	756
1x40, 1x60							396	606	1002	966
1x40, 1x70							396	710	1106	1070
1x40, 1x80							396	816	1212	1176
1x40, 1x90							396	916	1312	1276
3x30							306	306	918	882
2x30, 1x40							306	306	1008	972
2x30, 1x60							306	306	1218	1182
2x30, 1x70							306	306	1322	1286
2x30, 1x80							306	306	1428	1392
2x30, 1x90							306	306	1528	1492
1x30, 2x40							306	396	1098	1062
1x30, 1x40, 1x60							306	396	1308	1272
1x30, 1x40, 1x70							306	396	1412	1376
1x30, 1x40, 1x80							306	396	1518	1482
1x30, 1x40, 1x90							306	396	1618	1582
2x40, 1x60							396	396	1398	1362
4x30							306	306	1224	1188
3x30, 1x40							306	306	1314	1278

All diagram measurements are in millimetres (mm)

All models comply with COMMISSION REGULATION (EC) No 1275/2008 with regard to ecodesign requirements for standby and off mode electric power consumption. For full specification details, please log onto our website and download a full specification sheet.

We try to keep up to date with constant technological improvements, so from time to time we may update installation guidelines. Therefore we strongly recommend that you download the latest installation guidelines from www.bosch-home.co.uk. Line drawings are for guidance only, and we recommend that you refer to the latest installation guidelines. Though every care is taken to ensure instructions are correct at the time of printing, Bosch cannot accept responsibility for incorrect planning or installation as a result of the use of these line drawings.








Domino hobs specifications







HOB TYPE	DOMINO			
DESIGN FAMILY	SERIE 8	SERIE 8	SERIE 4	SERIE 2
MODEL	PRA3A6D70	PRB3A6D70	PIB375FB1E	PKF375FP1E
Black glass, brushed steel trim	•	•	•	•
KEY FEATURES				
Electronic control	-	-	-	-
DirectSelect operation	-	-	-	•
Electronic power level display	-	-	-	-
Safety cut-out switch off	-	-	-	•
Control panel lock	-	-	-	•
Boost setting	-	-	-	-
Energy consumption display	-	-	•	-
Automatic pan recognition	-	-	-	-
Connection current management	-	-	-	-
FlameSelect power controls	•	•	-	-
Digital power level display	•	•	•	-
Number of dual circuit wok-style burners	1	-	-	-
High power (5.0kW+) wok burner	•	-	-	-
Dual control wok burner	•	-	-	-
Hob surface type	Ceramic glass	Ceramic glass	-	-
DESIGN				
Hob width (mm)	306	306	306	306
Front controls	•	•	•	•
Touch Control	-	-	-	-
Metal control dials	-	-	-	-
Can be installed with a Bosch domino hob	-	-	-	-
All around trim	-	-	-	-
Three sided bevelled frameless finish	-	-	-	-
Frameless	-	-	-	-
FEATURES				
Number of power levels	-	-	17	17
Main on/off switch	-	-	•	•
Timer with automatic switch off for each zone	-	-	•	•
Count up timer	-	-	•	-
QuickStart function	-	-	•	-
ReStart function	-	-	•	-
Residual heat indicators	-	-	•	•
Freeze function	-	-	-	-
Small utensil detection	-	-	-	-
Number of cooking zones	1	2	2	2
Individual power levels	9	9	-	-
Digital power level display	•	•	-	•
Ignition via control dials	•	•	-	-
Flame-failure safety device	•	•	-	-
Cast iron pan supports	1 x DW safe	1 x DW safe	-	-
Low profile single piece burners	•	•	•	•
Comfort Profile	•	•	•	•
Can be combined with other models with Comfort Profile	•	•	•	-
PERFORMANCE/TECHNICAL INFORMATION				
Number of FlexInduction cooking zones	-	-	-	-
Triple ring induction zone	-	-	-	-
Number of dual / extendible zones	-	-	-	-
Left zone FlexInduction connected (max. kW/Area mm)	-	-	-	-
Left front zone max. power & diameter (kW / mm)	-	-	-	-
Left back zone max. power & diameter (kW / mm)	-	-	-	-
Centre zones FlexInduction connected (max. kW/Area mm)	-	-	-	-
Centre zone max. power & diameter (kW / mm)	-	-	-	-
Centre front zone max. power & diameter (kW / mm)	-	-	140-145	2.2
Centre back zone max. power & diameter (kW / mm)	-	-	220-210	1.2
Right zone FlexInduction connected (max. kW/Area mm)	-	-	-	-
Right front zone max. power & diameter (kW / mm)	-	-	-	-
Right back zone max. power & diameter (kW / mm)	-	-	-	-
Right centre zone - with powerBoost (max.kW)	370	370	-	-
Front centre zone - with powerBoost (max.kW)	220	220	-	-
Nominal voltage (V)	220-240	220-240	220-240	220-240
Maximum power output (W)	6000	4700	3700	3500
Total connected electrical load (W)	1	1	-	-
Cable length (cm)	100	100	110	110
Centre/Centre front burner power (kW)	6	1.9	-	-
Centre back burner power (kW)	-	2.8	-	-
GB plug	-	-	-	-
Appliance weight (kg)	-	-	-	-
Safety approved	-	-	-	-
Pre-set for natural gas	•	•	-	-
CE Marked	•	•	-	-
STANDARD ACCESSORIES				
LPG jets	•	•	-	-
OPTIONAL ACCESSORIES				
Connecting strip	HEZ394301	HEZ394301	-	-
Set of four pans	-	-	HEZ390042	-

• = Yes - = No



All models comply with COMMISSION REGULATION (EC) No 1275/2008 with regard to ecodesign requirements for standby and off mode electric power consumption. For full specification details, please log onto our website and download a full specification sheet.

FlexInduction and Induction hob accessories

DESCRIPTION	ACCESSORY NR	PXX875D34E	PXX975KW1E	PXY875KW1E	PXY875KE1E	PXY875DE3E	PXY675DE3E	PXV875DV1E	PXX675DV1E	PXV875DC1E	PXV851FC1E	PXE675DC1E
 Wireless temperature sensor	HEZ39050	•	•	•	•	•	•	-	-	-	-	-
 Set of four pans (3 x pans, 1 x sauté pan)	HEZ390042	•	•	•	•	•	•	•	•	•	•	•
 Rectangular roasting pan with lid (approx. 320x200mm)	HEZ390011	•	•	•	•	•	•	•	•	•	•	•
 Steamer pan insert of use with HEZ390011 roasting pan	HEZ390012	•	•	•	•	•	•	•	•	•	•	•
 Teppan Yaki (approx. 300x200mm)	HEZ390511	•	•	•	•	•	•	•	•	•	•	•
 Teppan Yaki (approx. 400x200mm)	HEZ390512	•	•	•	•	•	•	•	•	•	•	•
 Griddle plate (approx. 400x200mm)	HEZ390522	•	•	•	•	•	•	•	•	•	•	•
CleanAir Recirculating kit	HEZ381500	•	-	-	-	-	-	-	-	-	-	-
Exhaust kit	HEZ381400	•	-	-	-	-	-	-	-	-	-	-

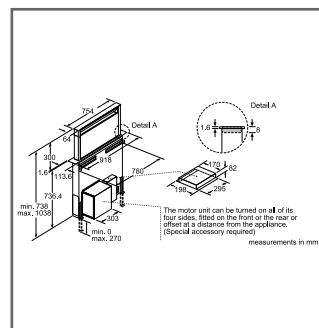
DESCRIPTION	ACCESSORY NR	PXX275FC1E	PVW851FB1E	PXE651FC1E	PIV851FB1E	PVS651FB1E	PIE651BB1E	PWP631BB1E	PUE611BB1E	PWP631BF1B	PUE611BF1B
 Set of four pans (3 x pans, 1 x sauté pan)	HEZ390042	•	•	•	•	•	•	•	•	•	•
 Rectangular roasting pan with lid (approx. 320x200mm)	HEZ390011	•	•	•	-	-	-	-	-	-	-
 Steamer pan insert of use with HEZ390011 roasting pan	HEZ390012	•	•	•	-	-	-	-	-	-	-
 Teppan Yaki (approx. 300x200mm)	HEZ390511	•	•	•	-	-	-	-	-	-	-
 Teppan Yaki (approx. 400x200mm)	HEZ390512	•	•	•	-	-	-	-	-	-	-
 Griddle plate (approx. 400x200mm)	HEZ390522	•	•	•	-	-	-	-	-	-	-

Domino hob accessories

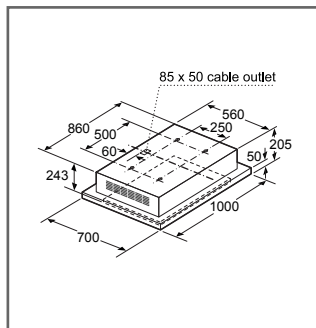
DESCRIPTION	ACCESSORY NR	PRA3A6D70	PRB3A6D70	PKF375FP1E	PIB375FB1E
 Connecting Strip	HEZ394301	•	•	-	-
 Set of four pans (3 x pans, 1 x sauté pan)	HEZ390042	-	-	-	•

Hoods technical diagrams

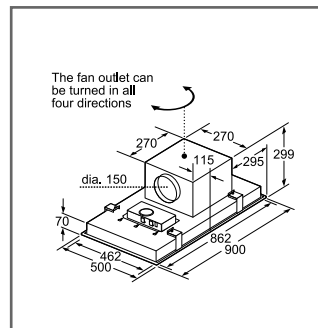
Downdraft, Island, ceiling and chimney hoods



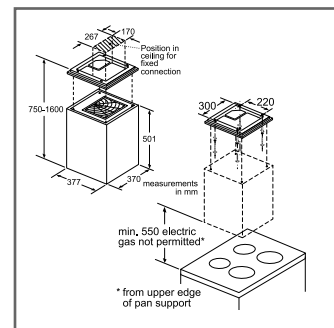
DDD97BM60B



DID106T50



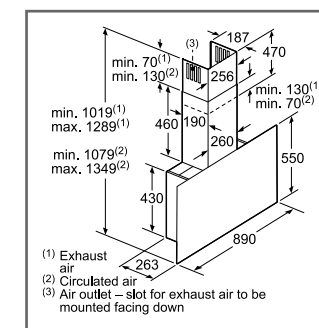
DID09T951B



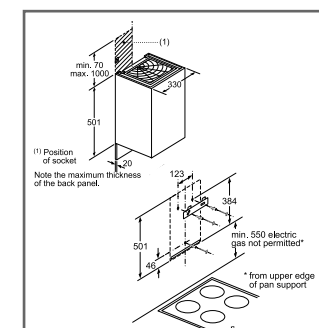
DII31RV60

Hoods technical diagrams

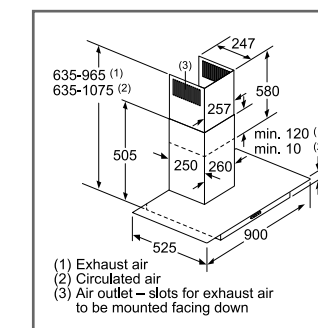
Downdraft, Island, ceiling and chimney hoods



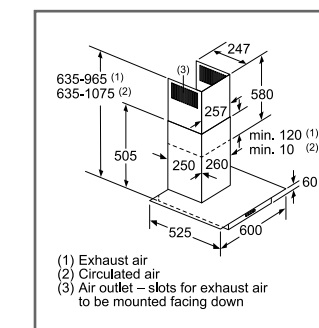
DWF97RV60B



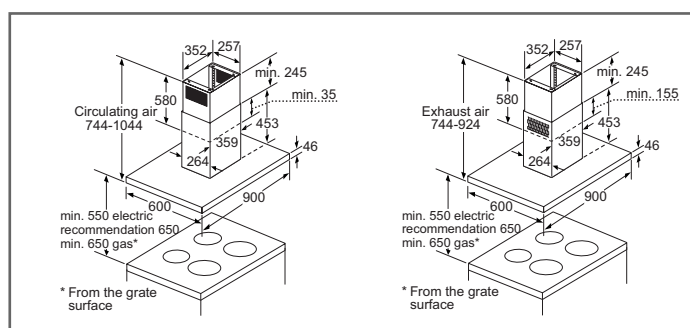
DWI37RU60B



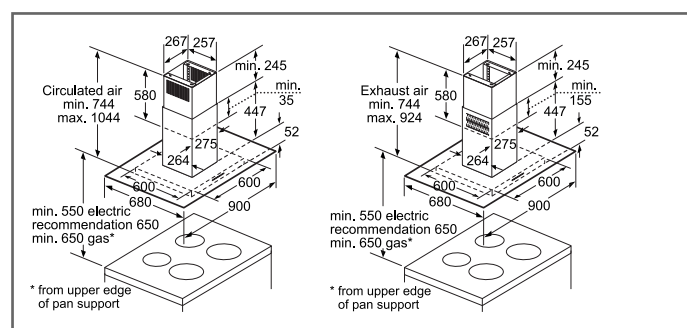
DWG96DM50B
DWG94BC50B



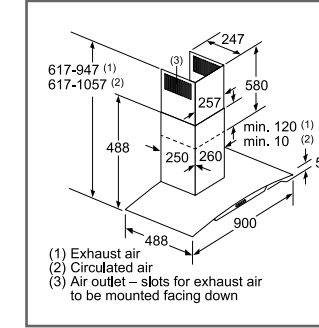
DWG66DM50B
DWG64BC50B



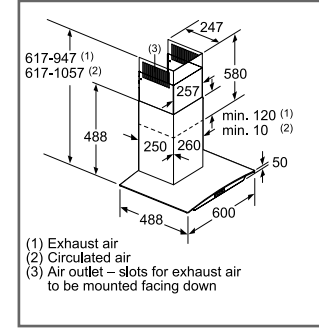
DIB091K50B



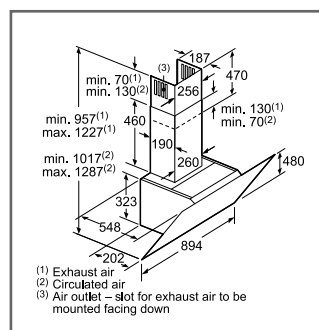
DIA098E50B



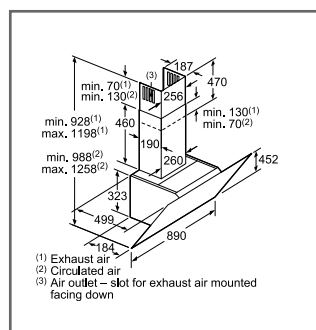
DWA96DM50B
DWA94BC50B



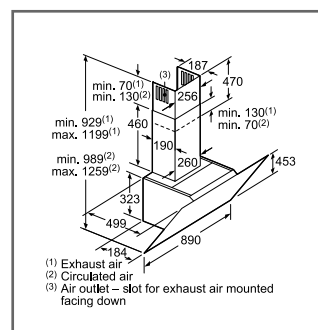
DWA66DM50B
DWA64BC50B



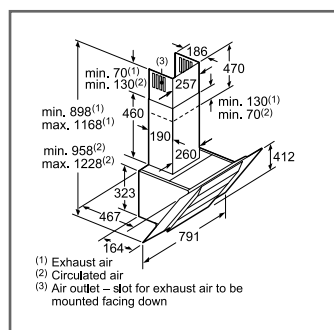
DWK98PR60B



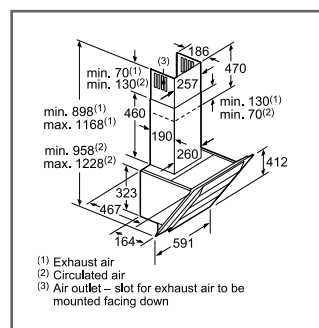
DWK97JQ60B



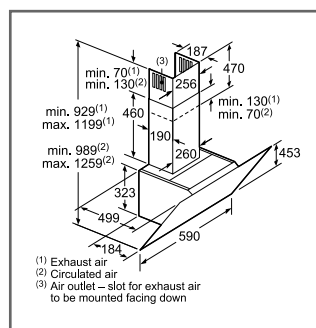
DWK97HM20B
DWK97HM60B



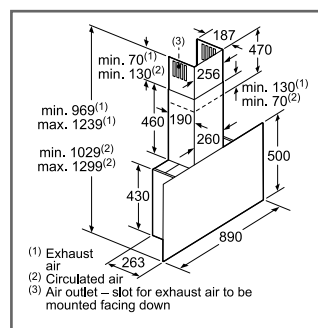
DWK87BM60B



DWK67BM60B



DWK67HM60B



DWF97MS70B
DWF97KR20B

All diagram measurements are in millimetres (mm)

We try to keep up to date with constant technological improvements, so from time to time we may update installation guidelines. Therefore we strongly recommend that you download the latest installation guidelines from www.bosch-home.co.uk. Line drawings are for guidance only, and we recommend that you refer to the latest installation guidelines. Though every care is taken to ensure instructions are correct at the time of printing, Bosch cannot accept responsibility for incorrect planning or installation as a result of the use of these line drawings.

Explore more at www.bosch-home.co.uk

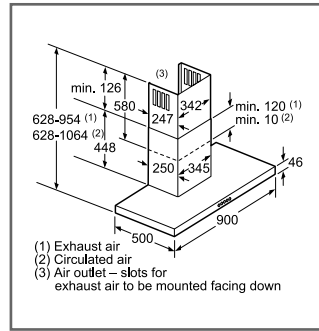
All diagram measurements are in millimetres (mm)

We try to keep up to date with constant technological improvements, so from time to time we may update installation guidelines. Therefore we strongly recommend that you download the latest installation guidelines from www.bosch-home.co.uk. Line drawings are for guidance only, and we recommend that you refer to the latest installation guidelines. Though every care is taken to ensure instructions are correct at the time of printing, Bosch cannot accept responsibility for incorrect planning or installation as a result of the use of these line drawings.

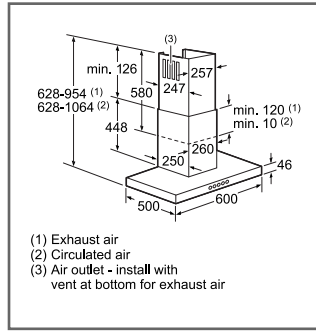
Making **life easy** through innovative technologies

Hoods technical diagrams

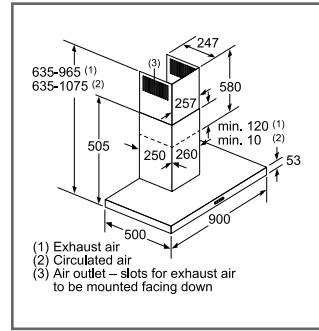
Chimney hoods



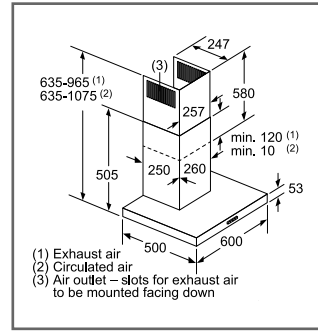
DWB098J50B, DWB098E51B



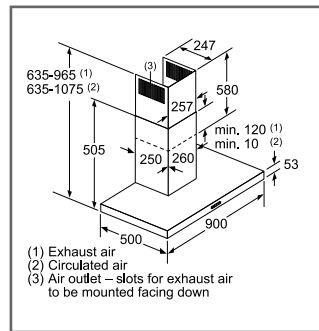
DWB068J50B



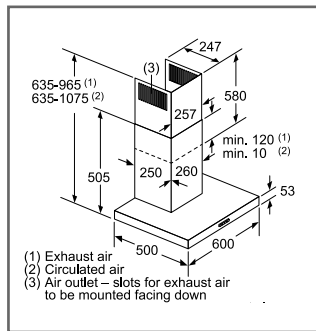
DWB96DM50B



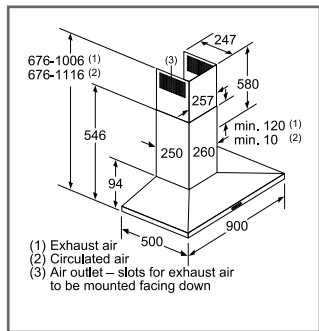
DWB66DM50B



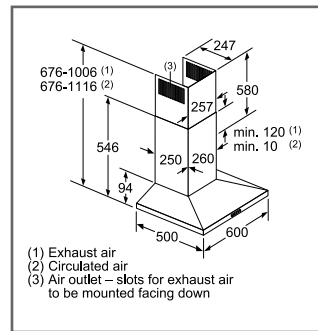
DWB94BC50B



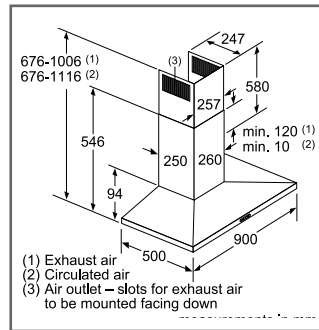
DWB64BC50B



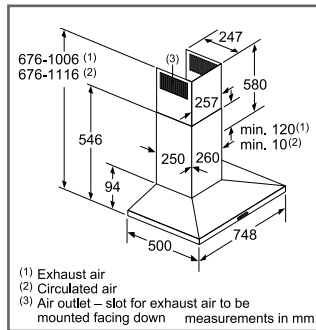
DWQ96DM50B



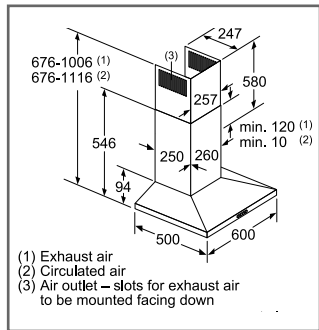
DWQ66DM50B



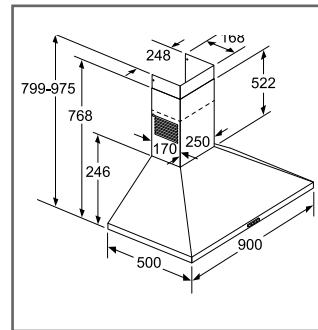
DWQ94BC50B



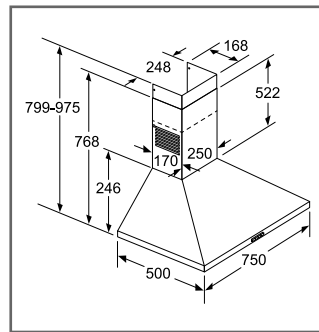
DWQ74BC50B



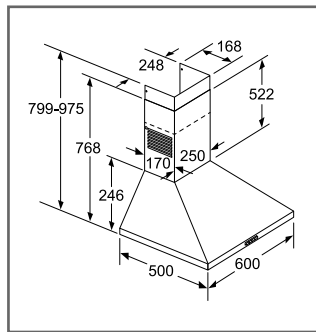
DWQ64BC50B



DWP94BC50B



DWP74BC50B



DWP64BC50B

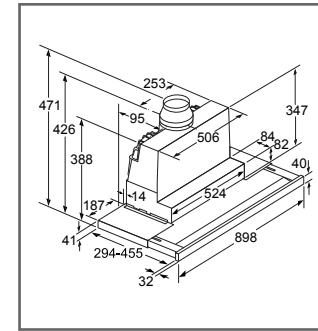
All diagram measurements are in millimetres (mm)

We try to keep up to date with constant technological improvements, so from time to time we may update installation guidelines. Therefore we strongly recommend that you download the latest installation guidelines from www.bosch-home.co.uk. Line drawings are for guidance only, and we recommend that you refer to the latest installation guidelines. Though every care is taken to ensure instructions are correct at the time of printing, Bosch cannot accept responsibility for incorrect planning or installation as a result of the use of these line drawings.

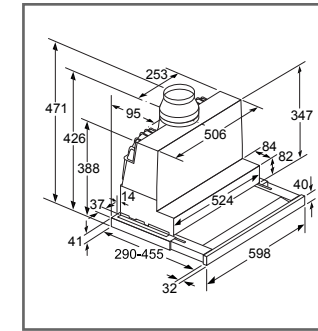
Explore more at www.bosch-home.co.uk

Hoods technical diagrams

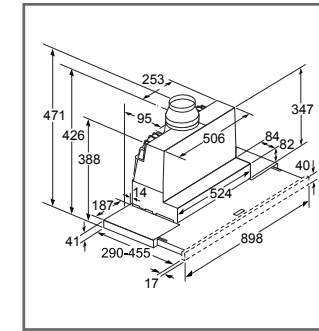
Telescopic, canopy, integrated and conventional hoods



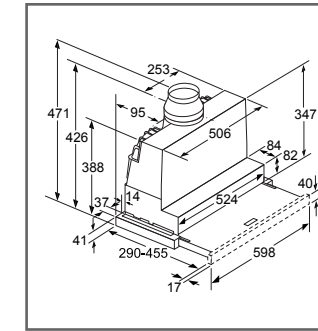
DFS097J50B



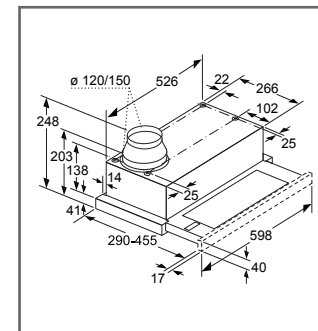
DFS067J50B



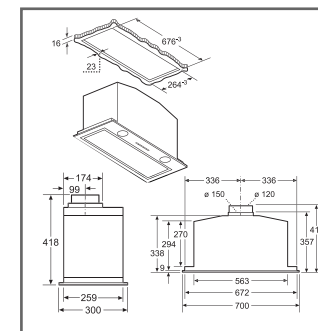
DFS097A50B



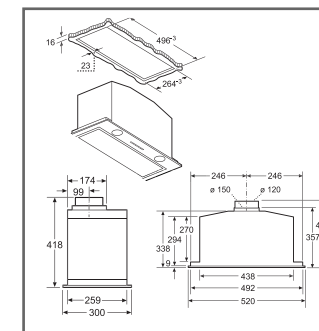
DFS067A50B



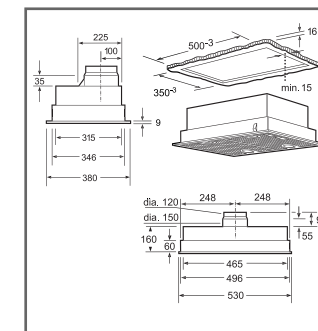
DFM063W50B



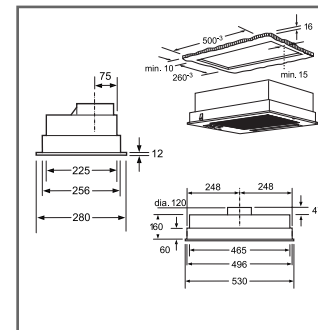
DHL785CGB



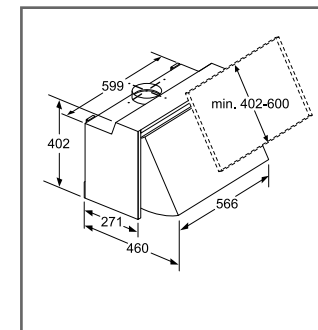
DHL575CGB



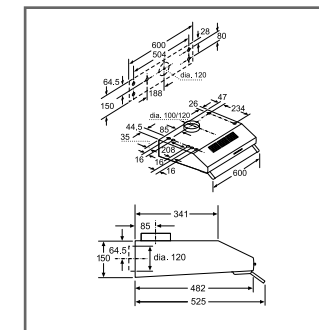
DHL555BGB



DHL535BGB



DEM66AC00B, DEM63AC00B



DUL63CC50B, DUL63CC60B, DUL63CC20B

All diagram measurements are in millimetres (mm)

We try to keep up to date with constant technological improvements, so from time to time we may update installation guidelines. Therefore we strongly recommend that you download the latest installation guidelines from www.bosch-home.co.uk. Line drawings are for guidance only, and we recommend that you refer to the latest installation guidelines. Though every care is taken to ensure instructions are correct at the time of printing, Bosch cannot accept responsibility for incorrect planning or installation as a result of the use of these line drawings.

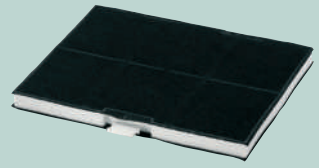
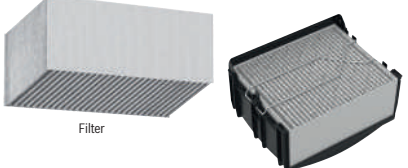
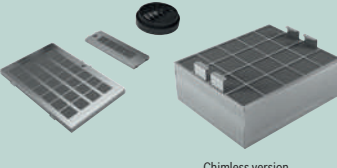
Making **life easy** through innovative technologies

Hoods specifications

HOOD TYPE	CANOPY			INTEGRATED			CONVENTIONAL		
DESIGN FAMILY	SERIE 6	SERIE 6	SERIE 4	SERIE 2	SERIE 2	SERIE 2	SERIE 2	SERIE 2	SERIE 2
MODEL	DHL785CGB	DHL575CGB	DHL555BGB	DHL535BGB	DEM66AC00B	DEM63AC00B	DUL63CC50B	DUL63CC60B	DUL63CC20B
Stainless Steel/Stainless Steel & Glass	●/●	●/●	-/-	-/-	-/-	-/-	●/●	-/-	-/-
Black or black glass/ White or white glass	-/-	-/-	-/-	-/-	-/-	-/-	-/-	●/●	-/-
Grey glass/Silver Metallic Lacquered	-/-	-/-	-/●	-/●	-/●	-/●	-/-	-/-	-/-
KEY FEATURES									
Ambient Lighting/PerfectAir Sensor	-/-	-/-	-/-	-/-	-/-	-/-	-/-	-/-	-/-
Home Connect/Hob based hood control	-/-	-/-	-/-	-/-	-/-	-/-	-/-	-/-	-/-
Electronic control/Electronic power level display	●/●	●/●	-/-	-/-	-/-	-/-	-/-	-/-	-/-
Grease/Charcoal filter saturation indicator	-/-	-/-	-/-	●/●	-/-	-/-	-/-	-/-	-/-
DESIGN									
Appliance width (mm)	700	520	530	530	599	599	600	600	600
Wall mounted/Ceiling mounted installation	-/-	-/-	-/-	-/-	●/●	●/●	-/-	-/-	-/-
Install in, between or under furniture carcass	●	●	●	●	-	-	●	●	●
Height adjustable chimney sections	-	-	-	-	-	-	-	-	-
Canopy/Box height (mm)	-	-	-	-	-	-	-	-	-
Adjustable vapour screen	-	-	-	-	-	-	-	-	-
Steel finish profile/handle	-	-	-	-	-	-	-	-	-
Glass canopy	-	-	-	-	-	-	-	-	-
FEATURES									
Metal Touch control/Soft touch metal button control	-/●	-/●	-/-	-/-	-/-	-/-	-/-	-/-	-/-
Push button control/Rocker switch control	-/-	-/-	-/-	-/●	●/●	●/●	●/●	●/●	●/●
Slider switch control/Touch Control	-/-	-/-	●/●	-/-	-/-	-/-	-/-	-/-	-/-
Ring Control/LED, Low-lift pushbuttons	-/-	-/-	-/-	-/-	-/-	-/-	-/-	-/-	-/-
Power levels	3	3	3	2	3	3	3	3	3
Intensive setting/Automatic intensive revert	●/●	●/●	●/●	-/-	-/-	-/-	-/-	-/-	-/-
1W LED/1.5W LED/7W LED light strips	2/-	2/-	-/-	-/-	-/-	-/-	-/-	-/-	-/-
3W low energy LED light/4W low energy LED light	-/-	-/-	-/-	-/-	●/●	●/●	●/●	●/●	●/●
2.5W low energy LED light/20W low energy halogen spotlights	-/-	-/-	-/2	-/-	-/-	-/-	-/-	-/-	-/-
25W halogen spotlights/28W halogen bulbs	-/-	-/-	-/-	-/2	-/-	-/-	-/-	-/-	-/-
40W bulbs/Softlight with dimmer function	-/-	-/-	-/-	-/-	-/-	-/-	-/-	-/-	-/-
Fluorescent mood lighting	-	-	-	-	-	-	-	-	-
Automatic after running (minutes)	-	-	-	-	-	-	-	-	-
Additional noise reduction insulation	-	-	-	-	-	-	-	-	-
Steel filter cover/Steel filter cover solid (rim ventilation)	-/●	-/●	-/-	-/-	-/-	-/-	-/-	-/-	-/-
Cosmetic steel filter cover	-	-	-	-	-	-	-	-	-
Number of metal grease filter cassettes	2	1	2	-	2	2	2	2	2
Paper grease filter	-	-	-	●	-	-	-	-	-
PERFORMANCE / TECHNICAL INFORMATION									
Easy installation system	-	-	-	-	-	-	-	-	-
Suitable for ducted/recirculating operation	●/●	●/●	●/●	●/●	●/●	●/●	●/●	●/●	●/●
Extraction rate in m³/h ^(1,2)									
- Ducted/recirculating at power level 1	340/210	290/210	210/180	130/120	250/220	240/200	170/70	170/70	170/70
- Ducted/recirculating at power level 2	540/270	450/260	320/250	170/160	350/330	280/240	260/90	260/90	260/90
- Ducted/recirculating at power level 3	630/300	560/290	420/320	-/-	620/410	360/250	350/110	350/110	350/110
- Ducted/recirculating at power level 4 or intensive level 1	-/-	-/-	-/-	-/-	-/-	-/-	-/-	-/-	-/-
- Ducted/recirculating, intensive setting or intensive level 2	730/310	610/300	650/430	250/240	-/-	-/-	-/-	-/-	-/-
Max Noise level (sound pressure) based on dB(A) re 20 µPa ^(1,4)									
- Ducted/recirculating at power level 1	39/53	36/52	27/38	35/39	35/48	38/51	42/52	42/53	42/54
- Ducted/recirculating at power level 2	49/57	49/57	38/46	41/46	42/57	42/54	51/59	51/60	51/61
- Ducted/recirculating at power level 3	52/59	53/60	45/50	51/53	56/61	48/55	58/63	58/64	58/65
- Ducted/recirculating at power level 4 or intensive level 1	-/-	-/-	-/-	-/-	-/-	-/-	-/-	-/-	-/-
- Ducted/recirculating, intensive setting or intensive level 2	55/60	56/61	55/58	-/-	-/-	-/-	-/-	-/-	-/-
Noise level (sound power) based on dB(A) re 1 pW ^(1,4)									
- Ducted/recirculating at power level 1	53/67	50/66	41/52	49/53	49/62	52/65	56/66	56/66	56/66
- Ducted/recirculating at power level 2	63/71	63/71	55/60	55/60	56/71	56/68	65/73	65/73	65/73
- Ducted/recirculating at power level 3	66/73	67/74	59/64	65/67	70/75	62/69	72/77	72/77	72/77
- Ducted/recirculating at power level 4 or intensive level 1	-/-	-/-	-/-	-/-	-/-	-/-	-/-	-/-	-/-
- Ducted/recirculating, intensive setting or intensive level 2	69/74	70/75	69/72	-/-	-/-	-/-	-/-	-/-	-/-
Pipe outlet diameter (mm)	120/150	150/120	150/120	120	150/120	150/120	100/120	100/120	100/120
Min. distance above an electric hob (mm)	500	500	650	650	500	500	650	650	650
Min. distance above a gas hob pan supports (mm)	650	650	650	650	650	650	650	650	650
Motor power (W)	275	250	200	170	250	120	138	138	138
Total electrical loading (W)	277	252	240	230	256	126	146	146	146
Nominal voltage (V)	220-240	220-240	220-240	220-240	220-240	220-240	220-240	220-240	220-240
Power cable length (cm)	150	150	130	130	150	150	145	145	145
GB plug	●	●	●	●	●	●	●	●	●
Appliance weight (kg)	13.0	10.0	9.0	5.0	11.0	10.0	7.0	7.0	7.0
Safety approved/Energy rating	●/C	●/C	●/D	●/E	●/B	●/D	●/D	●/D	●/D
OPTIONAL ACCESSORIES									
900x720mm brushed steel back panel	-	-	-	-	-	-	-	-	-
700x720mm brushed steel back panel	-	-	-	-	-	-	-	-	-
600x720mm brushed steel back panel	-	-	-	-	-	-	-	-	-
Steel finish profile/handle - solid/handle with control opening	-/-	-/-	-/-	-/-	-/-	-/-	-/-	-/-	-/-
Paper grease filters	-	-	-	DH22100	-	-	-	-	-
Recirculating kit with chimney (needed if recirculating)	DH25605	DH25605	-	-	-	-	-	-	-
Recirculating kit without chimney	-	-	-	-	-	-	-	-	-
Charcoal odour filter (needed if recirculating)	DH25316	DH25316	DH27305	DH27304	DWZ010A0	DWZ010A0	-	-	-
CleanAir recirculating kit (stainless steel)	-	-	-	-	-	-	-	-	-
Integrated CleanAir recirculating kit (plastic)	-	-	-	-	-	-	-	-	-
CleanAir charcoal odour filter	-	-	-	-	-	-	-	-	-
Regenerative CleanAir recirculating kit (with chimney)	-	-	-	-	-	-	-	-	-
Regenerative CleanAir recirculating kit (without chimney)	-	-	-	-	-	-	-	-	-
Regenerative CleanAir odour filter	-	-	-	-	-	-	-	-	-
Décor panel white/black	-/-	-/-	-/-	-/-	-/-	-/-	-/-	-/-	-/-
Active Carbon Filter	-	-	-	-	-	-	DH22701	DH22701	DH22701
Cable guidance frame	-	-	-	-	-	-	-	-	-
Lowering frame	-	-	-	-	-	-	-	-	-
Downdraft remote motor mounting kit	-	-	-	-	-	-	-	-	-

1 Air flow and noise declarations made in line with CECEC Code of Conduct. 2 Measured according to EN61591 on largest pipe diameter. 3 Sound pressure measured according to EN60704-2-1.3 on largest pipe diameter. 4 Sound power measured according to EN60704-3 on largest pipe diameter. All models comply with COMMISSION REGULATION (EC) No 1275/2008 with regard to ecodesign requirements for standby and off mode electric power consumption. For full specification details, please log onto our website and download a full specification sheet.

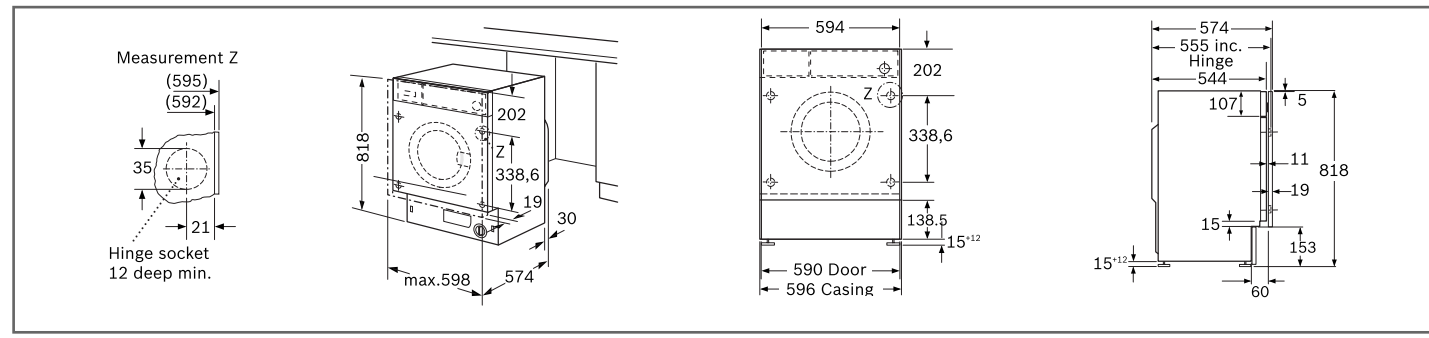
Recirculation filters

Type	Standard charcoal filter	CleanAir filter	New Regenerative CleanAir filter
		 Filter New integrated plastic kit	 Chimless version
Odour reduction guide	Up to 86%	Up to 95%	Up to 95% Up to 86% if installed without chimney
Recommended lifetime	6 - 12 months	12 months	10 years
Benefits	Simple installation Anti-fish treatment	High odour reduction Up to 3dB (A) sound reduction Better extraction performance Anti-fish treatment	High odour reduction Up to 3dB (A) sound reduction Regenerated in the oven every 4 months recommended (2 hours, 200°C) Better extraction performance
Installation	Behind grease filter, inside the hood	Extra module attached to hood chimney (stainless steel) New: Integrated plastic module fitted inside the chimney piece	Extra module (as per CleanAir filter) onto chimney or inside chimney Chimless installation possible
Installation without chimney possible?	Yes (Angled and Flat hoods only)	No – module must fit onto chimney or inside the chimney	Yes (Angled and Flat hoods only)

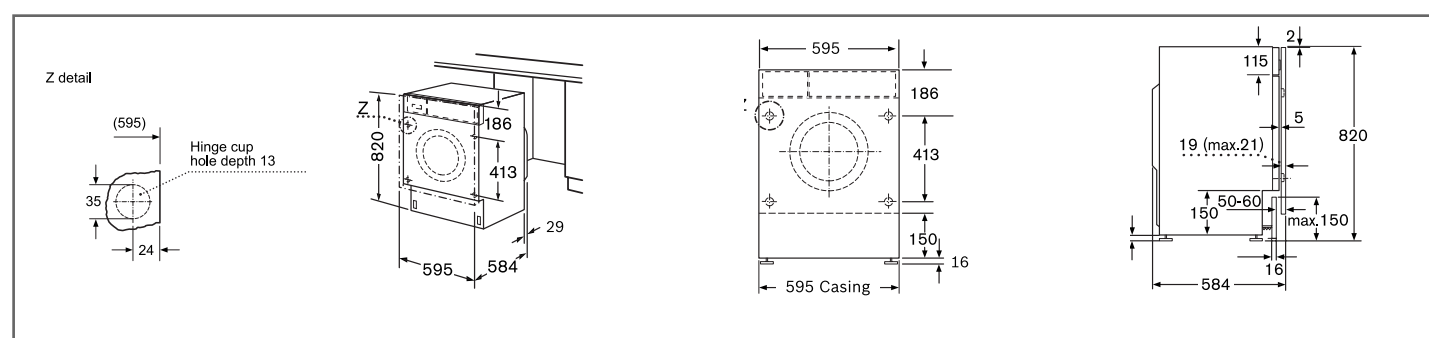
A range of recirculation filters are available depending on the model of hood and offer excellent odour reduction rates and performance benefits. The new regenerative filters can last up to 10 years and are regenerated through a heating process in the oven every 4 months

Home laundry technical diagrams

Washing machines and washer dryers



WIW28500GB | WIW28300GB



WKD28541GB | WKD28351GB

Home laundry accessories

Description	Accessory Nr.	WIW28500GB	WIW28300GB	WKD28541GB	WKD28351GB
Floor securing component	WMZ2200	•	•	•	•
Connecting piece	WMZ20470	•	•	•	•
Extension for cold water inlet/Aquastop	WMZ2380	•	•	•	•
Height adjustable feet	WMZ20441	•	•	-	-



Home laundry specifications

HOME LAUNDRY TYPE	WASHING MACHINES	
DESIGN FAMILY	SERIE 8	SERIE 6
MODEL	WIW28500GB	WIW28300GB
PERFORMANCE & CONSUMPTION		
Energy efficiency class	A+++	A+++
Capacity cotton (kg)	8	8
Maximum spin speed (rpm)	1400	1400
Moisture content % on dry load after max. spin	53	53
Washing performance class	A	A
Spin drying performance class	B	B
Energy consumption annual (kWh)	137	157
Ø Energy consumption 40°C cotton programme – partial load (kWh)	0.38	0.44
Ø Energy consumption 60°C cotton programme – full load (kWh)	0.78	0.85
Ø Energy consumption 60°C cotton programme – partial load (kWh)	0.58	0.74
Water consumption annual (litres)	11000	11000
Average washing time cotton 40°C – partial load (min)	255	255
Average washing time cotton 60°C – full load (min)	270	270
Average washing time cotton 60°C – partial load (min)	270	270
Drum volume (litres)	53	53
Noise level washing (dB)	41	41
Noise level spinning (dB)	67	67
PROGRAMMES/FUNCTIONS		
Standard programmes		
Cottons	•	•
Easycare programme	•	•
Wool programme	•	•
Delicates/Silk	•	•
Cold wash	•	-
Specialist programmes		
Drain/spin	•	•
Mixed fabrics	•	•
Super 15 min/Super 30 min	•	-
Shirts	•	-
Rinse only	•	•
Spin speed reduction	•	•
Anti-crease phase at programme end	•	•
Hygiene/Allergy plus	-/•	-/•
Night Wash	•	•
DrumClean with reminder	•	•
Duvet/down	-/•	-/•
Speed/Eco	•	•
Rinse hold	•	•
Easy iron	•	-
Sportswear	•	-
KEY FEATURES		
TimeLight projection on floor	•	-
Reload function	•	•
Type of motor	BLDC with warranty	BLDC with warranty
Interior drum light	•	•
Drum structure	WaveDrum™	WaveDrum™
Drying progress indicator	LED-display	LED-display
Time delay (24h)	•	•
Sound insulation	AntiVibration	AntiVibration
ADDITIONAL FEATURES		
Foam control	•	•
Balance control	•	•
Water protection system	Aquastop	Aquastop
Water plus	•	-
Child safety	•	•
TECHNICAL INFORMATION		
Dimensions HxWxD (cm)	81.8 x 59.6 x 57.4	81.8 x 59.6 x 57.4
Depth with open door 90° (cm)	95.6	95.6
Height adjustable (mm)	12	12
Length of drain hose (cm)	220	220
Length of supply hose (cm)	220	220
Adjustable feet	Front only	Front only
Max adjustment of feet (mm)	12	12
EAN Code	4242002805719	4242002805726
OPTIONAL ACCESSORIES		
Height adjustable feet	WMZ20441	WMZ20441
Connecting piece	WMZ20470	WMZ20470
Floor securing kit	WMZ2200	WMZ2200
Extension for water inlet	WMZ2380	WMZ2380

• = Yes - = No

HOME LAUNDRY TYPE	WASHER DRYERS	
DESIGN FAMILY	SERIE 6	SERIE 4
MODEL	WKD28541GB	WKD28351GB
PERFORMANCE & CONSUMPTION		
Energy efficiency class	B	B
Capacity cotton washing (kg)	7.0	7.0
Capacity cotton drying (kg)	4.0	4.0
Maximum spin speed (rpm)	1400	1400
Washing performance class	A	A
Energy consumption – wash and dry of full wash load (kWh)	5.6	5.6
Energy consumption – wash only (kWh)	1.03	1.03
Total annual energy consumption – washing and drying 200 full loads (kWh)	1120	1120
Total annual water consumption – washing only 200 full loads (litres)	10400	10400
Water consumption – wash and dry full wash load (litres)	103	103
Total annual water consumption – washing and drying 200 full loads (litres)	26000	26000
Total annual energy consumption – washing only 200 full loads (kWh)	250	250
Average washing time cotton 60°C – full load (min)	212	212
Drum volume (litres)	52	52
Noise level washing (dB)	57	57
Noise level spinning (dB)	74	74
Noise level drying (dB)	60	60
PROGRAMMES/FUNCTIONS		
Standard programmes		
Cottons	•	•
Easycare programme	•	•
Wool programme	•	•
Delicates/Silk	•	•
Intensive dry	•	•
Gentle dry	•	•
Rinse	•	•
Spin	•	•
Empty	•	•
Specialist programmes		
SuperQuick 15	•	-
Night Wash	•	-
Sportswear	•	-
Sensitive	•	-
Mixed load	•	•
Fluff removal programme	•	•
Options		
Wash plus	•	•
Reduced Ironing	•	•
Rinse plus	•	•
Pre-wash	•	•
Variable temperature	•	•
Variable spin	•	•
Spin speed reduction	•	•
Flexi Time	•	•
KEY FEATURES		
Full electronic control dial for all wash and special programmes	•	•
Time selection options	•	•
ADDITIONAL FEATURES		
Aquatronic wash system	•	•
Time delay (h)	24	24
Foam detection system	•	•
Safeguard monitoring system	•	•
Child lock	•	•
Water protection system	Multiple water protection	AquaSecure
TECHNICAL INFORMATION		
Dimensions of the product – exc door (cm)	82 x 59.5 x 58.4	82 x 59.5 x 58.4
Length electrical supply cord (cm)	220	220.00
Display	LED	LED
Cabinet colour	White	White
Door colour	White	White
Door opening	95	95
Door hinge	Left-hand	Left-hand
Fully integrable	•	•
EAN code	4242002554594	4242002553740
OPTIONAL ACCESSORIES		
Connecting piece (between appliance and 90cm worktop)	WMZ20470	WMZ20470
Floor securing kit	WMZ2200	WMZ2200
Extension for water inlet	WMZ2380	WMZ2380

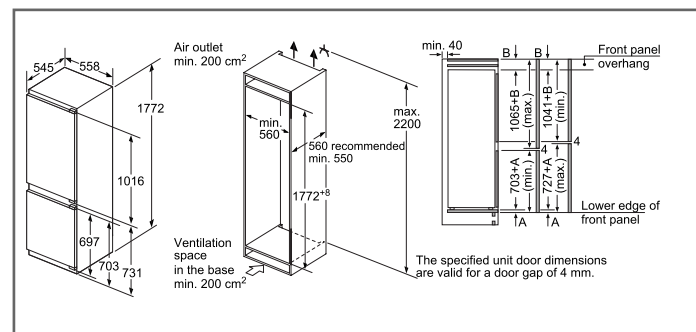
• = Yes - = No

All diagram measurements are in millimetres (mm)
 We try to keep up to date with constant technological improvements, so from time to time we may update installation guidelines. Therefore we strongly recommend that you download the latest installation guidelines from www.bosch-home.co.uk. Line drawings are for guidance only, and we recommend that you refer to the latest installation guidelines. Though every care is taken to ensure instructions are correct at the time of printing, Bosch cannot accept responsibility for incorrect planning or installation as a result of the use of these line drawings.

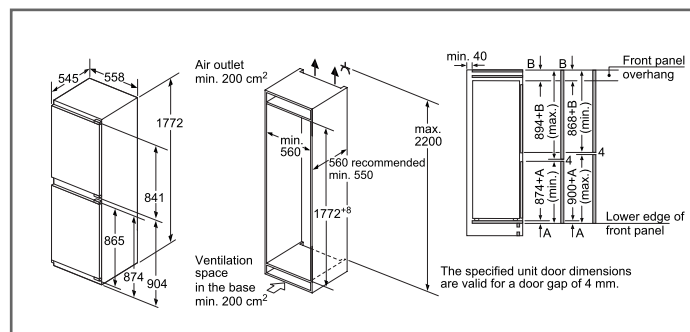
All models comply with COMMISSION REGULATION (EC) No 1275/2008 with regard to ecodesign requirements for standby and off mode electric power consumption. For full specification details, please log onto our website and download a full specification sheet.

Integrated cooling technical diagrams

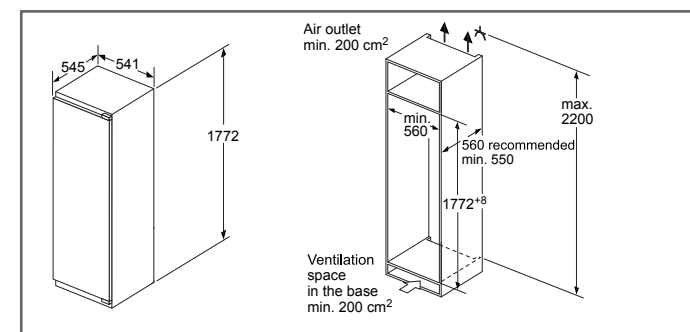
Fridge freezers, fridges and freezers



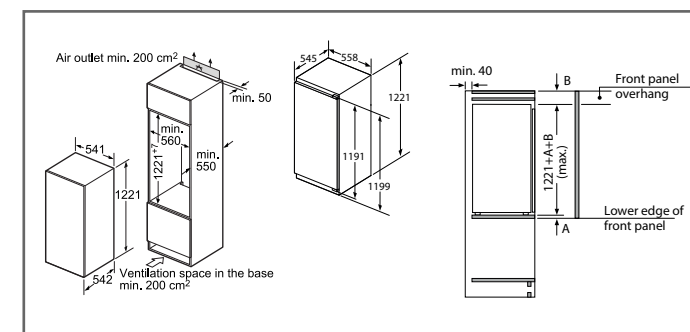
KIN86AD30G



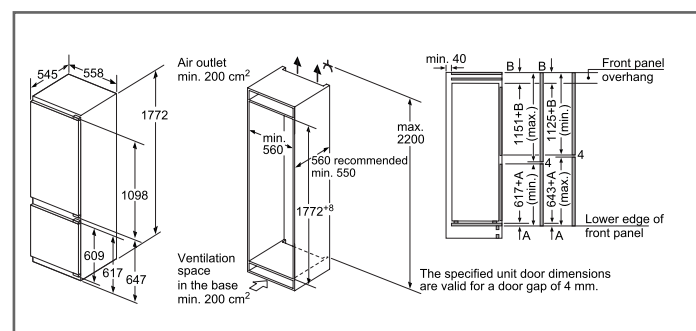
KIN85AF30G



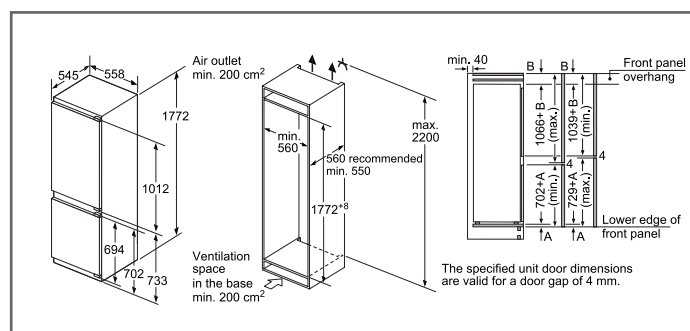
KIR81VS30G, KIL82VS30G



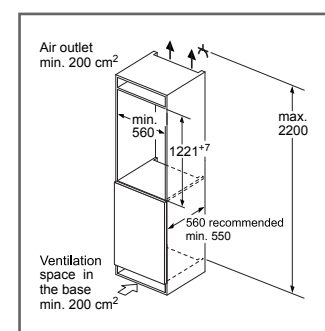
KIR41AF30G, KIR24V20GB, KIL42VS30G, KIR41VS30G



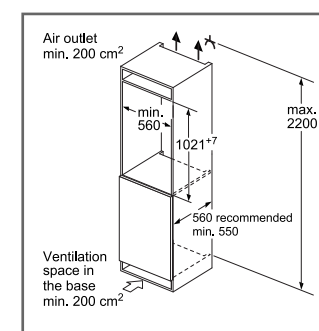
KIS87AF30G, KIV87VF30G, KIV87VS30G



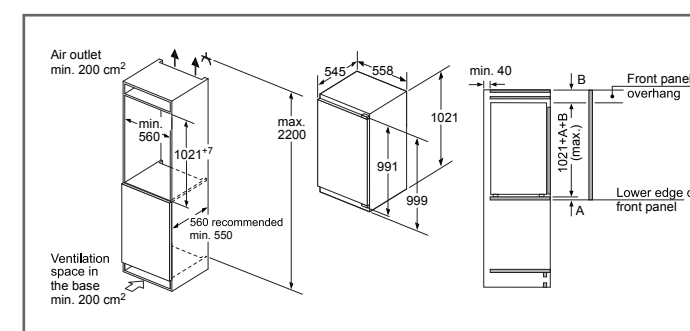
KIS86AF30G, KIN86VF30G, KIV86VS30G



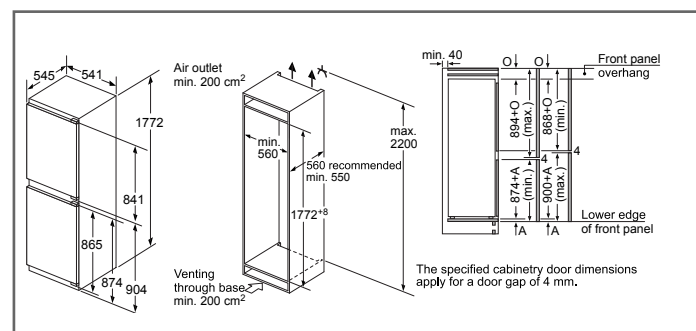
GIN41AE30G



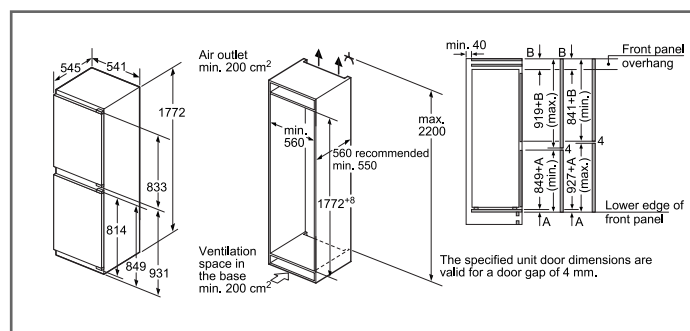
KIR31VS30G



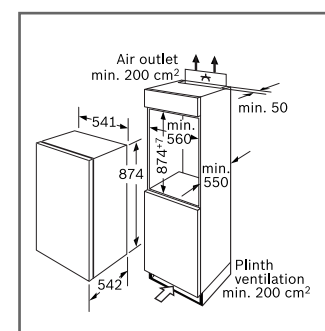
GIN31AE30G



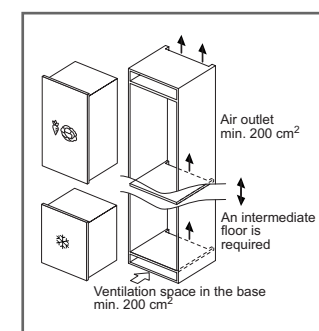
KIV85VF30G, KIV85VS30G



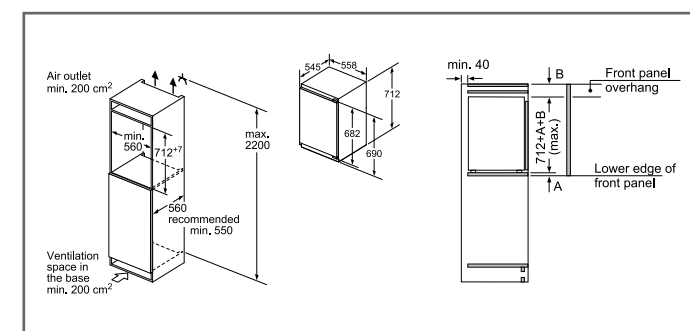
KIV32X23GB



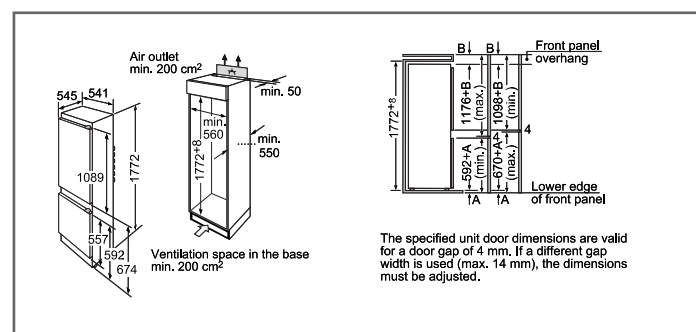
KIR21AF30G, KIL22VF30G, KIR21VF30G, KIL22VS30G, KIR21VS30G, KIR18V20GB, GID18A50GB, GID18A20GB



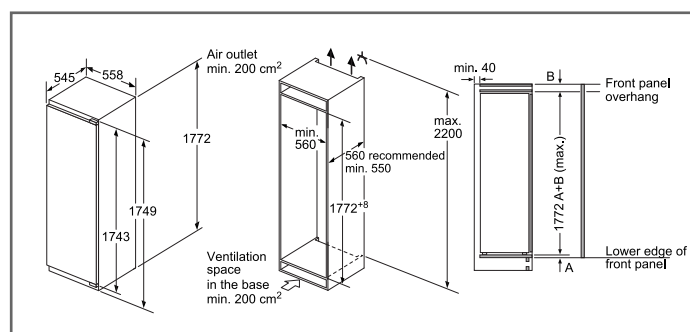
KUL15A60GB, KUR15A50GB, GUD15A50GB



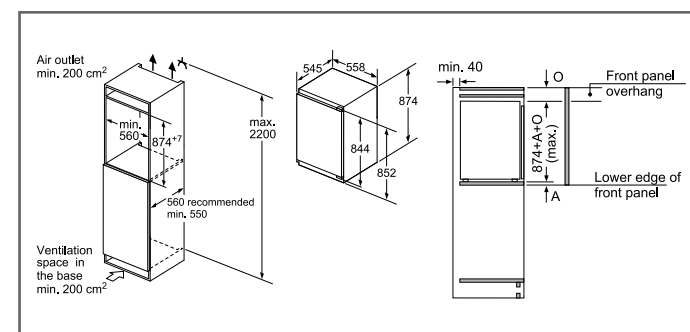
GIV11AF30



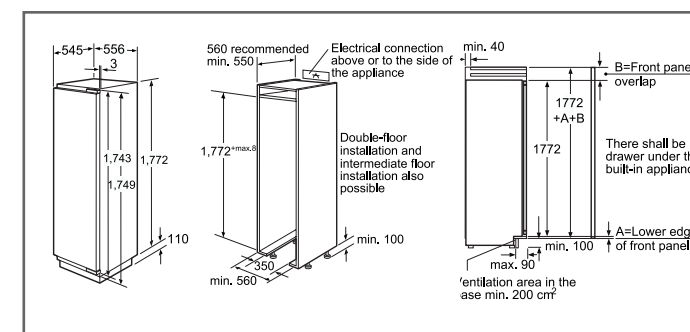
KIV38X22GB



KIR81AF30G, KIL82AF30G, GIN81AE30G



GIV21AF30G



GIN38A55GB

The side panel of the freezer is heated slightly for a side-by-side arrangement. This prevents the formation of condensation when the appliances are placed together. Therefore, always place the freezer on the left side for a side-by-side arrangement

All diagram measurements are in millimetres (mm)

We try to keep up to date with constant technological improvements, so from time to time we may update installation guidelines. Therefore we strongly recommend that you download the latest installation guidelines from www.bosch-home.co.uk. Line drawings are for guidance only, and we recommend that you refer to the latest installation guidelines. Though every care is taken to ensure instructions are correct at the time of printing, Bosch cannot accept responsibility for incorrect planning or installation as a result of the use of these line drawings.

All diagram measurements are in millimetres (mm)

We try to keep up to date with constant technological improvements, so from time to time we may update installation guidelines. Therefore we strongly recommend that you download the latest installation guidelines from www.bosch-home.co.uk. Line drawings are for guidance only, and we recommend that you refer to the latest installation guidelines. Though every care is taken to ensure instructions are correct at the time of printing, Bosch cannot accept responsibility for incorrect planning or installation as a result of the use of these line drawings.

Built-in fridge freezers specifications

DESIGN FAMILY	SERIE 6	SERIE 6	SERIE 6	SERIE 6	SERIE 4	SERIE 4	SERIE 4	SERIE 4
MODEL	KIN86AD30G	KIN85AF30G	KIS87AF30G	KIS86AF30G	KIN86VF30G	KIV87VF30G	KIV87VS30G	KIV86VS30G
NoFrost/LowFrost	NoFrost 60/40	NoFrost 50/50	LowFrost 70/30	LowFrost 60/40	NoFrost 60/40	LowFrost 70/30	LowFrost 70/30	LowFrost 60/40
Type of control setting and signalling devices	Economy setting / Holiday mode, Super setting for freezer, Super setting fridge, Temperature display fridge, Warning function freezer sect., Warning signal door open	Economy setting / Holiday mode, Super setting for freezer, Super setting fridge, Temperature display fridge, Warning function freezer sect., Warning signal door open	Economy setting / Holiday mode, Super setting for freezer, Super setting fridge, Temperature display fridge, Warning function freezer sect., Warning signal door open, Warning signal for malfunction	Economy setting / Holiday mode, Super setting for freezer, Super setting fridge, Temperature display fridge, Warning function freezer sect., Warning signal door open, Warning signal for malfunction	Super setting for freezer, Temperature display fridge, Warning signal door open	Super setting for freezer, Temperature display fridge	Super setting for freezer, Temperature display fridge	Economy setting / Holiday mode, Super setting for freezer, Super setting fridge, Temperature display fridge, Warning function freezer sect., Warning signal door open, Warning signal for malfunction
PERFORMANCE AND CONSUMPTION								
Energy efficiency class	A++	A++	A++	A++	A++	A++	A++	A++
Energy consumption annual (kWh)	221	232	225	218	222	227	227	218
Total unit net capacity (litres)	255	246	270	265	255	272	272	267
Refrigerator net capacity (litres)	188	154	209	191	188	209	209	191
Freezer net capacity (litres)	67	92	61	74	67	63	63	76
Freezing capacity (kg/24h)	8	9	7	7	8	3	3	7
Storage period in power failure (h)	13	13	26	32	13	26	26	32
Climate class	SN-ST	SN-ST	SN-T	SN-T	SN-T	SN-T	SN-T	SN-T
Noise level (dB[A] re 1 pW)	39	39	36	36	39	38	38	38
FOOD FRESHNESS SYSTEM								
Thermometer fridge section	Digital	Digital	Digital	Digital	Digital	Digital	Digital	Digital
Range of temperature (°C)	4-8	4-8	4-8	4-8	4-8	4-8	4-8	4-8
Frost-free system	●	●	-	-	●	-	-	-
Antibacterial	-	-	-	-	-	-	-	-
KEY FEATURES - FRIDGE								
Fast cooling switch	●	●	●	●	-	-	-	●
Number of door bins	4	2	4	4	4	5	5	4
Door bin adjustability	-	-	-	-	-	-	-	-
Tilt-out door bins	●	●	●	●	●	●	●	●
Type of shelves	-	-	-	-	Stationary	Stationary	Stationary	-
Egg bin	●	●	●	●	●	●	●	●
Number of shelves	5	4	5	5	4	5	5	4
Number of adjustable shelves	4	3	4	4	3	4	4	3
Material of shelves	Glass	Glass	Glass	Glass	Glass	Glass	Glass	Glass
Optional accessories	KSZ10020	KSZ10020	KSZ10020	KSZ10020	KSZ10020	KSZ10020	KSZ10020	KSZ10020
Temperature display	Digital 7 segment	Digital 7 segment	Digital 7 segment	Digital 7 segment	Digital 7 segment	Digital LED	Digital LED	Digital 7 segment
Light	●	●	●	●	●	●	●	●
Included accessories	2 x cold accumulator, 2 x egg tray, ice cube tray	2 x cold accumulator, 2 x egg tray, ice cube tray	2 x cold accumulator, 2 x egg tray, ice cube tray	2 x cold accumulator, 2 x egg tray, ice cube tray	2 x cold accumulator, 2 x egg tray, ice cube tray	2 x cold accumulator, 2 x egg tray, ice cube tray	2 x cold accumulator, 2 x egg tray, ice cube tray	2 x cold accumulator, 2 x egg tray, ice cube tray
KEY FEATURES - FREEZER								
Star rating	4	4	4	4	4	4	4	4
Temperature adjustable	●	●	●	●	●	●	●	●
Freezing drawers	3	4	2	3	3	2	2	3
Fast freezing switch	●	●	●	●	●	●	●	●
Door opened indicator	●	●	●	●	●	-	-	●
Shelf material	Safety glass	Safety glass	Safety glass	Safety glass	Safety glass	Safety glass	Safety glass	Safety glass
Freezer cold packs	●	●	●	●	●	●	●	●
Number of ice cube trays	1	1	1	1	1	1	1	1
FUNCTIONS								
Number of compressors	1	1	1	1	1	1	1	1
Minimum ambient temperature	10	10	10	10	10	10	10	10
Maximum ambient temperature	38	38	43	38	38	43	43	43
DIMENSION AND INSTALLATION								
Door hinge	Right reversible	Right reversible	Right reversible	Right reversible	Right reversible	Right reversible	Right reversible	Right reversible
Type of hinge	Fixed / flat	Fixed / flat	Fixed / flat	Fixed / flat	Fixed / flat	Fixed / flat	Sliding	Fixed / flat
Height of the product (mm)	1772	1772	1772	1772	1772	1772	1772	1772
Width of the product (mm)	558	558	558	558	541	541	541	558
Depth of the product (mm)	545	545	545	545	542	545	545	545
Width with open door 90° (mm)	600	600	600	600	600	600	600	600
Depth with open door 90° (mm)	1140	1140	1140	1140	1140	1140	1140	1140
Height of the packed product (mm)	1840	1840	1840	1840	1840	1840	1840	1840
Width of the packed product (mm)	620	620	620	620	620	620	620	620
Depth of the packed product (mm)	640	640	640	640	640	640	640	640
Minimum height for installation (mm)	1775	1775	1775	1775	1775	1775	1775	1775
Maximum height for installation (mm)	1775	1775	1775	1775	1775	1775	1775	1775
Minimum width for installation (mm)	560	560	560	560	560	560	560	560
Maximum width for installation (mm)	560	560	560	560	560	560	560	560
Depth for installation (mm)	550	550	550	550	550	550	550	550
Required niche size for installation HxWxD (mm)	1775 x 560 x 550	1775 x 560 x 550	1775 x 560 x 550	1775 x 560 x 550	1775 x 560 x 550	1775 x 560 x 550	1775 x 560 x 550	1775 x 560 x 550
Net weight (kg)	68.0	69.0	67.0	69.0	69.0	69.0	69.0	69.0
Gross weight (kg)	74.0	75.0	73.0	75.0	74.0	75.0	75.0	75.0

● = Yes - = No

Built-in fridges specifications

DESIGN FAMILY	SERIE 4	SERIE 4	SERIE 2	SERIE 2
MODEL	KIV85VF30G	KIV85VS30G	KIV32X23GB	KIV38X22GB
NoFrost/LowFrost	LowFrost 50 / 50	LowFrost 50/50	Static 50/50	Static 70/30
Type of control setting and signalling devices	Super setting for freezer, Temperature display fridge	Super setting for freezer, Temperature display fridge	-	-
PERFORMANCE AND CONSUMPTION				
Energy efficiency class	A++	A++	A+	A+
Energy consumption annual (kWh)	239	239	283	275
Total unit net capacity (litres)	259	259	255	276
Refrigerator net capacity (litres)	157	157	162	217
Freezer net capacity (litres)	102	102	93	59
Temperature rise time (h)	24	24	16	13
Freezing capacity (kg/24h)	4,5	4,5	6	6
Storage period in power failure (h)	24	24	16	13
Climate class	SN-T	SN-T	SN-ST	SN-ST
Noise level (dB[A] re 1 pW)	38	38	40	40
FOOD FRESHNESS SYSTEM				
Thermometer fridge section	Digital	Digital	-	-
Range of temperature (°C)	4-8	4-8	4-8	4-8
Frost-free system	-	-	-	-
KEY FEATURES - FRIDGE				
Number of door bins	4	4	4	5
Tilt-out door bins	●	●	●	●
Type of shelves	Stationary	Stationary	Stationary	Stationary
Light wattage	-	-	1x25 Watt	1x25 Watt
Egg bin	●	●	-	-
Number of shelves	4	4	4	5
Number of adjustable shelves	3	3	2	4
Material of shelves	Glass	Glass	Glass	Glass
Optional accessories	KSZ10020	KSZ10020	-	-
Temperature display	Digital LED	Digital LED	-	-
Light	●	●	-	●
Included accessories	2 x cold accumulator, 2 x egg tray, ice cube tray	2 x cold accumulator, 2 x egg tray, ice cube tray	Butter dish	Butter dish
KEY FEATURES - FREEZER				
Star rating	4	4	4	4
Temperature adjustable	●	●	●	●
Freezing drawers	4	4	4	3
Fast freezing switch	●	●	-	-
Shelf material	Safety glass	Safety glass	-	-
Freezer cold packs	●	●	-	-
Number of ice cube trays	1	1	-	-
FUNCTIONS				
Number of compressors	1	1	1	1
Minimum ambient temperature	10	10	10	10
Maximum ambient temperature	43	43	38	38
DIMENSION AND INSTALLATION				
Door hinge	Right reversible	Right reversible	Right reversible	Right reversible
Type of hinge	Fixed / flat	Sliding	Sliding	Sliding
Height of the product (mm)	1772	1772	1772	1772
Width of the product (mm)	541	541	541	541
Depth of the product (mm)	545	545	545	545
Width with open door 90° (mm)	600	600	600	600
Depth with open door 90° (mm)	1140	1140	1140	1140
Height of the packed product (mm)	1840	1840	1860	1860
Width of the packed product (mm)	620	620	620	620
Depth of the packed product (mm)	640	640	640	640
Minimum height for installation (mm)	1775	1775	1775	1775
Maximum height for installation (mm)	1775	1775	1775	1775
Minimum width for installation (mm)	560	560	562	562
Maximum width for installation (mm)	560	560	562	562
Depth for installation (mm)	550	550	550	550
Height (mm)	1772	1772	1772	1772
Net weight (kg)	69	69	56	57
Gross weight (kg)	75	75	61	62

● = Yes - = No

Built-in freezers specifications

BUILT-IN FREEZERS	SERIE 8	SERIE 8	SERIE 6	SERIE 6	SERIE 6	SERIE 4	SERIE 4	SERIE 6	SERIE 6
MODEL	GIN38A55GB	GIN81AE30G	GIN41AE30G	GIN31AE30G	GIV21AF30G	GID18A50GB	GID18A20GB	GIV11AF30	GUD15A50GB
PERFORMANCE AND CONSUMPTION									
Energy efficiency class	A+	A+	A++	A++	A++	A+	A+	A++	A+
Energy consumption annual (kWh)	310	243	188	168	157	192	192	144	184
Total unit gross capacity (litres)	288	150	235	120	98	-	-	-	-
Total unit net capacity (litres)	210	211	150	97	97	94	94	72	98
Refrigerator net capacity (litres)	-	-	-	-	-	-	-	-	-
Freezer net capacity (litres)	210	211	127	97	97	94	94	72	98
Climate class	SN-ST	SN-T	SN-T	SN-T	SN-T	SN-ST	SN-ST	SN-T	-
Noise level (dB[A] re 1 pW)	40	36	38	37	36	36	36	36	38
KEY FEATURES									
Star rating	4	4	4	4	4	4	4	4	-
Temperature adjustable	●	●	●	●	●	●	●	●	●
Door opened indicator	●	●	●	●	●	●	●	●	●
Defrost process	Manual	NoFrost	NoFrost	NoFrost	Manual	Manual	Manual	Manual	NoFrost
Number of drawers	5	5	4	3	3	4	4	3	3
Number of freezing flaps	2	2	1	1	-	-	-	-	-
Material of shelves	Safety glass	Safety glass	Safety glass	Safety glass	-	Safety glass	Safety glass	Safety glass	-
Included accessories	-	2 x cold accumulator, ice cube tray	2 x cold accumulator, ice cube tray	2 x cold accumulator, ice cube tray	2 x cold accumulator, ice cube tray	2 x cold accumulator, berry tray, ice cube tray	2 x cold accumulator, berry tray, ice cube tray	2 x cold accumulator, ice cube tray	2 x ice packs, ice cube tray
Storage period in power failure (h)	11	23	22	25	22	-	-	-	-
FUNCTIONS									
Type of control	Electronic	Electronic	Electronic	Electronic	Electronic	Electronic	Electronic	Electronic	Electronic
Minimum ambient temperature (0°)	-	10	10	10	10	10	10	10	-
Maximum ambient temperature (0°)	-	43	43	43	43	43	43	43	-
Cold technology	-	-	-	-	Compressor, cold circuit	-	-	-	Compressor, cold circuit
Number of compressors	-	-	-	-	1	-	-	-	1
DIMENSIONS AND INSTALLATION									
Connection rating (W)	120	120	120	120	90	90	90	90	-
Current (A)	13	13	13	13	13	13	13	10	-
Voltage (V)	220-240	220-240	220-240	220-240	220-240	220-240	220-240	220-240	220-240
Frequency (Hz)	50	50	50	50	50	50	50	50	50
Length electrical supply cord (mm)	2300	2300	2300	2300	2300	2300	2300	2300	2300
Approval certificates	VDE	VDE	VDE	VDE	VDE	VDE	VDE	VDE	VDE
Type of hinge	Fixed / flat	Flush-folding	Flush-folding	Flush-folding	Flush-folding	Fixed / flat	Fixed / flat	Fixed / flat	Fixed / flat
Reversible door hinge	●	●	●	●	●	●	●	●	●
Height of the product (mm)	1772	1221	1772	1021	874	874	874	712	820
Width of the product (mm)	556	558	558	558	558	541	541	558	598
Depth of the product (mm)	545	545	545	545	545	542	542	545	548
Width with open door 90° (mm)	600	600	600	600	-	600	600	600	-
Depth with open door 90° (mm)	1140	1140	1140	1140	1140	1140	1140	1140	1150
Height of the packed product (mm)	1840	1290	1840	1090	950	1840	1840	789	-
Width of the packed product (mm)	620	620	620	620	620	620	620	620	-
Depth of the packed product (mm)	640	640	640	640	640	640	640	640	-
Minimum height for installation (mm)	1775	1225	1775	1025	880	1775	1775	7120	-
Maximum height for installation (mm)	1775	1225	1775	1025	880	1775	1775	7190	-
Minimum width for installation (mm)	560	560	560	560	560	560	541	560	-
Maximum width for installation (mm)	560	560	560	560	560	560	541	560	-
Depth for installation (mm)	550	550	550	550	550	550	550	550	-
Net weight (kg)	73	49	66	43	40	36	542	363	-
Gross weight (kg)	79	52	72	46	43	39	39	386	-
Required niche size for installation (HxWxD)	-	-	-	-	880x560x550	-	-	-	-
EAN code	4242002734934	4242002898209	4242002898834	4242002898261	4242002920191	4242002734590	4242002527963	4242002923819	4242002650890

● = Yes - = No

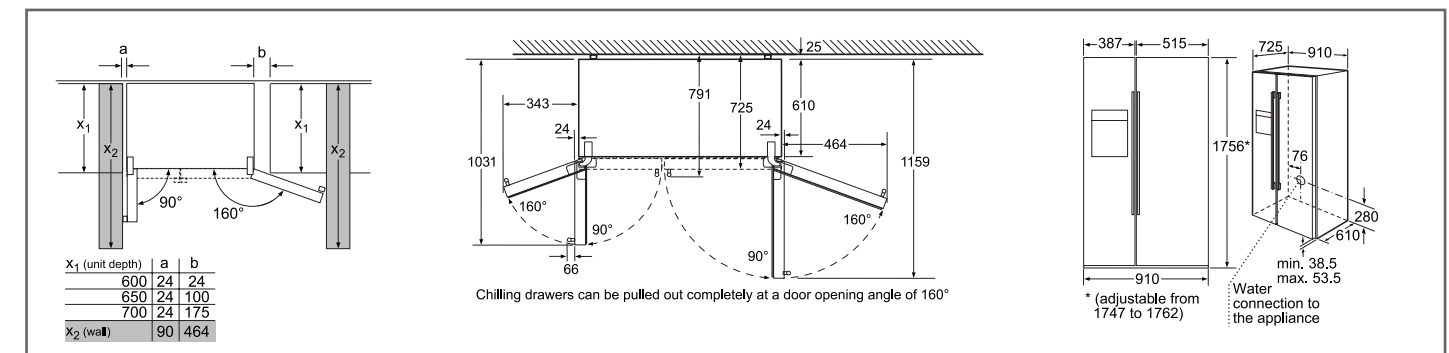
Matching fridges & freezers

Freezer Model	Height	Matching Fridges
GID18A20GB	88cm	KIR18V20GB, KIR21VS30G, KIL22VS30G
GID18A50GB	88cm	KIR21VF30G, KIL22VF30G, KIR21AF30G
GIN31AE30G	102.5cm	KIR31VS30G
GIV21AF30G	88cm	KIR21AF30G, KIL22VF30G, KIR21VF30G, KIL22VS30G, KIR21VS30G, KIR18V20GB
GIV11AF30	72cm	Can be combined with taller height fridges

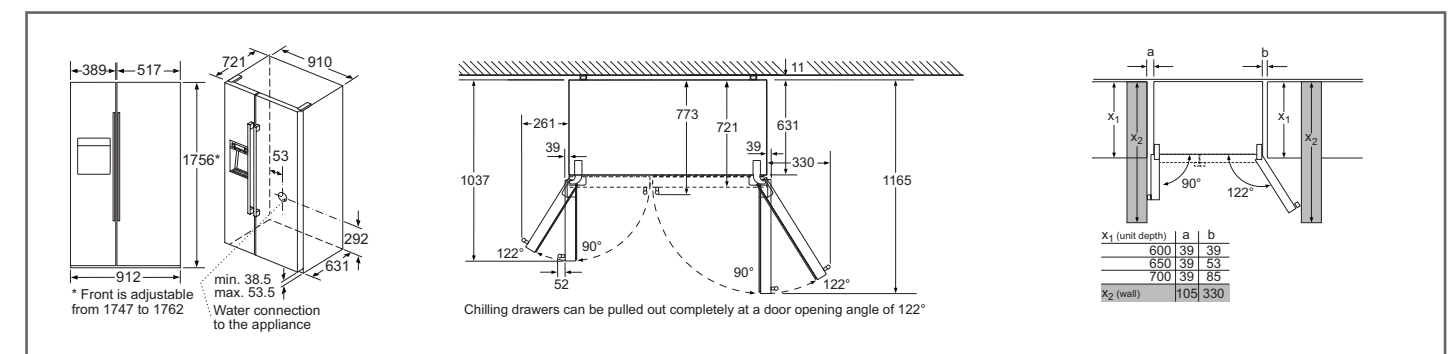
Freezer Model	Height	Matching Fridges
GIN41AE30G	112.5cm	KIR24V20GB, KIR41VS30G, KIR41AF30G, KIR41AD30G, KIL42VS30G
GIN81AE30G	177.5cm	KIR81VS30G, KIL82VS30G, KIR81AF30G
GIN38A55GB	177.5cm	GIN38A55GB, KIL82AF30G
GUD15A50GB	82cm	KUL15A60GB, KUR15A50GB

Cooling technical diagrams

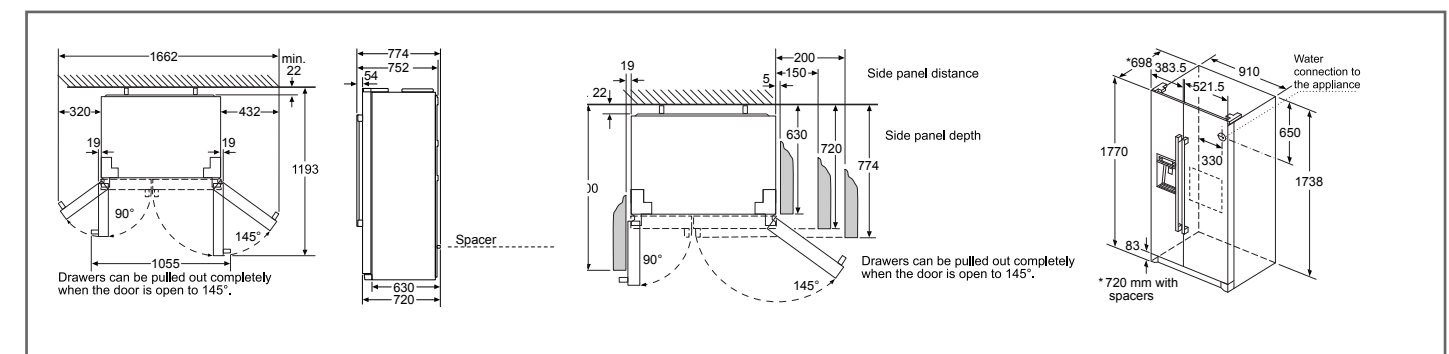
American-style fridge freezer



KAN92LB35G N.B. Doors need to be able to be opened to a minimum of 160° angle to allow the drawers to be fully accessible



KAD92AI20G, KAN92VI35 N.B. Doors need to be able to be opened to a minimum of 122° angle to allow the drawers to be fully accessible



KAG90AI20G, KAD90VI20G, KAI90VI20G, KAD90VB20G, KAN90VI20G

All diagram measurements are in millimetres (mm)

For full specification details, please log onto our website and download a full specification sheet.

All models comply with COMMISSION REGULATION (EC) No 1275/2008 with regard to ecodesign requirements for standby and off mode electric power consumption.

We try to keep up to date with constant technological improvements, so from time to time we may update installation guidelines. Therefore we strongly recommend that you download the latest installation guidelines from www.bosch-home.co.uk. Line drawings are for guidance only, and we recommend that you refer to the latest installation guidelines. Though every care is taken to ensure instructions are correct at the time of printing, Bosch cannot accept responsibility for incorrect planning or installation as a result of the use of these line drawings.

American-style fridge freezers specifications

Notes

DESIGN FAMILY	SERIE 8	SERIE 8	SERIE 6	SERIE 6	SERIE 6	SERIE 6	SERIE 6	SERIE 4
MODEL	KAN92LB35G	KAD92AI20G	KAN92VI35	KAG90AI20G	KAD90VI20G	KAI90VI20G	KAD90VB20G	KAN90VI20G
Stainless Steel look	-	●	●	●	●	●	●	●
Black	●	-	-	-	-	-	●	-
PERFORMANCE AND CONSUMPTION								
Energy efficiency class	A++	A+	A++	A+	A+	A+	A+	A+
Annual energy consumption (kWh)	385	443	389	432	436	432	436	475
Total unit net capacity (litres)	592	541	604	522	533	523	533	573
Refrigerator net capacity (litres)	375	368	387	359	163	360	370	373
Freezer net capacity (litres)	202	158	202	157	228	163	163	200
Noise level (dB [A] re 1pW)	43	43	43	43	43	43	43	44
DESIGN FEATURES								
Colour of sides	Chrome inox-metallix	Chrome inox-metallix	Chrome inox-metallix	Grey	Grey	Grey	Black	Grey
Type of handle	Integrated vertical	Vertical bar	Vertical bar	Vertical bar	Vertical bar	Vertical bar	Vertical bar	Vertical bar
Door hinge	Left and right	Left and right	Left and right	Left and right	Left and right	Left and right	Left and right	Left and right
Type of hinge	-	-	-	-	-	-	-	-
Reversible door, hinged on right	-	-	-	-	-	-	-	-
Light wattage - refrigerator	-	-	-	-	-	-	-	-
Light	-	●	●	●	●	●	-	●
LED light	-	-	-	-	-	-	-	-
Number of compressors	1	1	1	1	1	1	1	1
Number of cooling circuits	2	2	2	1	1	1	1	1
Number of evaporators	-	2	2	-	-	-	-	-
Number of temperature zones fridge	1	1	1	-	1	1	1	1
FOOD FRESHNESS SYSTEMS								
Range of temperatures (°C)	-	-	-	4-8	-	-	-	-
Interior ventilation through plinth	-	-	-	-	-	-	-	-
Humidity control drawer	-	●	●	-	-	-	-	-
AntiBacterial	-	-	-	-	-	-	-	-
Food preservation containers	1 x VitaFresh Plus / 1 x MultiBox	2 x VitaFresh Plus / 1 x MultiBox	1 x VitaFresh Plus / 1 x MultiBox	CoolBox	MultiBox	MultiBox	-	-
MultiAirflow system	●	●	●	●	-	-	-	-
KEY FEATURES - FRIDGE SECTION								
Number of temperature zones	1	1	1	1	1	1	1	1
Number of vegetable containers with ribbed bottom and humidity control	1	1	1	2	-	-	-	-
Number of shelves	5	4	4	3	3	4	4	4
Number of glass safety shelves	-	-	3	3	-	4	-	4
Number of adjustable shelves	-	3	3	1	1	-	-	-
Type of shelves	-	Partial extension	Partial extension	Stationary	-	-	-	-
Drawers with telescopic rails	3	1	1	2	2	1	1	2
Number of door bins	2	5	4	4	4	-	-	-
Tilt-out door bins	●	●	●	●	●	-	-	-
Number of door shelves	-	4	5	4	4	4	4	4
Number of containers	3	3	2	3	-	-	-	-
EasyLift flexible shelf in door	-	-	-	-	-	-	-	-
Fast cooling switch	●	●	●	●	●	●	●	●
Included accessories	-	Connection hose, egg tray	Egg tray	Connection hose, egg tray	Connection hose, egg tray	Connection hose, egg tray	Connection hose, egg tray	Egg tray
KEY FEATURES - FREEZER SECTION								
Star rating	4	4	4	4	4	4	4	4
Number of freezer drawers	2	2	2	2	2	2	2	2
NoFrost system	●	●	●	●	●	●	●	●
Fast freezing switch	●	●	●	●	●	●	●	●
Shelf adjustability	●	●	●	●	-	-	-	●
Automatic motor-driven ice-maker	-	-	-	●	●	●	-	-
Water filter replacement indicator	-	●	-	●	●	-	●	-
Water tank	-	-	-	●	-	-	-	-
Dispenser - crushed ice, ice cubes, quick ice, water, water filter	-	●	-	●	●	●	●	-
Included accessories	2 x cold accumulator, egg tray	2 x cold accumulator	-	-	-	-	-	-
FUNCTIONS								
Electronic display	●	●	●	●	●	●	●	●
Temperature display fridge	●	●	●	●	●	●	●	●
Warning/malfunction signal	●	●	●	●	●	●	●	●
Door opened indicator	●	●	●	●	●	●	●	●
DIMENSIONS AND INSTALLATION								
Climate class	SN-T	SN-T	SN-T	SN-T	SN-T	SN-T	SN-T	SN-T
Height of the product (mm)	1756	1756	1756	1770	1770	1770	1770	1770
Width of the product (mm)	912	912	912	910	910	910	910	910
Depth of the product (mm)	732	732	732	720	720	720	720	720
Width with open door 90° (mm)	95	94.84	94.84	166	166	166	166	166
Depth with open door 90° (mm)	1158	1193	1165	1193	1193	1193	1193	1193
Maximum adjustability feet (mm)	Front only	Front only	Front only	Front only	Front only	Front only	Front only	Front only

● = Yes - = No

All models comply with COMMISSION REGULATION (EC) No 1275/2008 with regard to ecodesign requirements for standby and off mode electric power consumption. For full specification details, please log onto our website and download a full specification sheet.

Notes

Notes

Notes

Download a copy of our catalogues online at www.bosch-home.co.uk or call **0344 892 8979**

Contact Bosch Customer Service

To arrange an engineer visit, obtain product advice or order replacement spare parts or accessories visit www.bosch-home.co.uk or call **0344 892 8979**

Republic of Ireland customers should visit www.bosch-home.ie to arrange an engineer's visit, or to order spare parts and accessories, or call **(01) 450 2655**



BoschHomeUK



BoschHomeUK

Calls are charged at the basic rate, please check with your telephone service provider for exact charges.

Disclaimer: This brochure is current as from the publication date and supersedes all previous brochures for these products. This brochure should not be regarded as an infallible guide nor as an offer for sale of any particular product. Whilst BSH Home Appliances Ltd believes that all information contained within this brochure is correct at the time of going to print, no representation or warranty, express or implied, is or will be made and no responsibility or liability is or will be accepted by BSH Home Appliances Ltd in relation to the accuracy or completeness of this information and any liability is expressly disclaimed. To the extent permitted by law, BSH Home Appliances Ltd expressly excludes: i) all conditions, warranties and other terms which might otherwise be implied by statute, common law or the law of equity and ii) any liability for any direct, indirect or consequential loss or damage (including, without limitation, damages for loss of business or loss of profits) arising in contract, tort or otherwise from the use of or reliance on any information contained within this brochure or from any action or decision taken as a result of such use or reliance. BSH Home Appliances Ltd reserves the right to modify technical data and all other information contained within this brochure without notice. All rights reserved. No part of this publication may be reproduced in any form or without the prior written permission of BSH Home Appliances Ltd. All colour variations are due to the limitations of the printing process. We recommend a visit to a Bosch dealer to confirm that specifications and colours are to your satisfaction.

This brochure is printed on environment-friendly chlorine-free bleached paper.

April 2018.

BSH Home Appliances Limited

Grand Union House
Old Wolverton Road, Wolverton
Milton Keynes MK12 5PT
www.bosch-home.co.uk

BSH Home Appliances Limited

M50 Business Park
Ballymount, Dublin 12
Tel: 1890 626 041
www.bosch-home.ie