



Showering

SHOWERS **20**

Electric Showers	21
iCare	21
iTherm	24
iSure	26
Mira	28
Triton	28
Mixer Showers	30
Arka	30
Vettora	33

SHOWER SCREENS & ENCLOSURES **34**

Larenco Screens	35
Level Best Glass Screens	51
Standard Screens	53
Standard Wet Floor Screens	75
Silverdale® Screens	88
Silverdale® Wet Floor Screens	99
Sliding Screens	103
Made-to-Measure Screens	110
Standalone Cubicles	113
Showerloo Cubicles	116
Accessories	117
Portable Screens	117
Shower Curtain Rails	118
Shower Curtains	122
Shower Screen Handles	123

WALL PANELS **124**

Premium Wall Panels	125
Trade Range Wall Panels	126

SHOWER TRAYS **128**

Braddan Trays	129
Mullen® Trays	135
Sulby Trays	141
Low Profile Trays	147
Accessories	150
Pipe Duct Kits	150

WASTES & PUMPS **152**

Gravity Wastes	153
Pumped Wastes	156
Digital Waste Pumps	159
DigiPump iCare Wireless Kit	161

Showering Installation Guides:
See page 334

Showers

Showering is an important part of life – that's why we've chosen a range of care showers to offer safe and comfortable showering, whatever the space or need.

You may also need:

Wastes & Pumps	Shower Screens
152 >	34 >

Shower Seats	Shower Trays
298 >	128 >



ELECTRIC SHOWERS



iCare Electric Shower



iCare can connect wirelessly to all AKW DigiPump shower waste pumps.

See page 159.



Contemporary styling combines with advanced technology to create the world's first Bluetooth® Smart enabled electric shower.

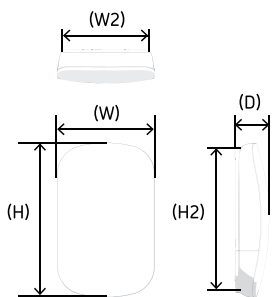
CARE FEATURES

- + Easy push-button controls: Power, Temperature, Flow
- + All controls closely grouped together
- + Raised tactile symbols: +, -, Temp, Flow
- + Audible Temperature and Flow Indicators
- + LED Illuminated Temperature and Flow Indicators
- + Matt anti-glare finish
- + Rounded surfaces and edges for safety
- + BEAB CARE Certified
- + RNIB Tried and Tested
- + Care kit: 2m hose, 150kg load-bearing rail, easy-adjust shower head
- + Thermostatic Control and Phased/Auto Shutdown
- + Bluetooth® Smart wireless remote control (optional)
- + iShower app for iOS and Android

INSTALLER FEATURES

- + Super-quick and easy installation
- + 8 electrical/8 water entry points
- + Dual power blocks for left or right hand wiring
- + Retro-fit footprint covers most manufacturers' models
 - No re-tiling required
 - Existing cable & pipework compatible
- + 3-year warranty
- + 8.5kW / 9.5kW / 10.5kW options
- + Comprehensive technical after-sales support
- + Wired or wireless connectivity to all AKW DigiPump shower waste pumps

iCare Electric Shower (Technical Information)



Physical Dimensions:

Height (H)	380mm
Width (W)	230mm
Depth (D)	85mm
Footprint Height (H2)	345mm
Footprint Width (W2)	210mm



Plumbing Supply:

Supply Source	Mains pressure cold water only
Minimum Dynamic Pressure	50kPa (0.5 Bar)
Maximum Static Pressure	1000 kPa (10 Bar)
Optimal Minimum Dynamic Pressure <i>(Recommended to ensure high performance)</i>	100 kPa (1 Bar)
Maximum Inlet Temperature	28°C
Minimum Inlet Temperature	2°C
Inlet Connection	15mm pipe
Outlet Connection	1/2" BSP Male Thread Fitting
Water Ingress Rating	IPX4
Shower Drain Pump Connections	Suitable for AKW M Series (flow sensor or wireless), D4 (Flow Sensor) or AKW A4 (Flow Switch)

Electricity Supply:

Nominal Rating at	240 V 10.5kW, 9.5kW & 8.5kW
Supply Fuse / Circuit Breaker	(10.5kW 45/50A), (9.5kW 40/45A) & (8.5kW 35/40A)
Residual Current Device (RCD)	30 mA (must be fitted)
Supply Cable	Refer to current wiring regulations and BS 7671 to determine minimum cable size. No larger than 10 mm ²
Isolation Switch (e.g. Pull Cord)	45 Amp Double pole
Water and Cable Entry Points	Top, bottom or back

Product Codes:

iCare White 10.5kw with silver/white kit	29010WH
iCare White 9.5kw with silver/white kit	29011WH
iCare White 8.5kw with silver/white kit	29012WH
iCare Silver 10.5kw with silver/white kit	29010Si
iCare Silver 9.5kw with silver/white kit	29011Si
iCare Spiral Hose Chrome	14-012-061
Pump Wireless Module	29014

iCare Electric Shower: Optional Extras

Smart Device App



Available on iOS & Android devices (search 'AKW iShower')

Use your iPhone or Android device to switch on iCare from outside the shower area so you don't get wet, or from your bed so that it's ready for you. iCare can turn on when your alarm goes off and send a 'shower ready' alert to your phone. Monitor shower usage and store preferred settings with multiple user profiles.

FEATURES

- + Full control via app
- + Create individual user profiles
- + Monitor usage: frequency, water, energy
- + Shower-ready alerts
- + Wake-up alarm & shower-on indicator
- + Bluetooth® Smart Connection
- + Works up to 10m away from shower unit

Wireless Remote



The Bluetooth® Smart wireless remote control provides flexibility and control, from up to 10 metres away. Tactile raised symbols, push-button control of Power, Temperature and Flow. A fully waterproof high grip casing means that it's easy to hold and use. Wall mount or attach to any flat surface with provided suction cups.

FEATURES

- + Raised symbols
- + Push-button controls
- + Fully waterproof
- + Works up to 10m away from shower unit
- + Control: Power, Temperature & Flow
- + Blue LED activity indicator
- + Wall mount included
- + Glass mount suction cups included

Product Code:
Wireless iCare Remote **29013**

iTherm Electric Shower



The LED display, Power push-button and independent Temperature and Flow controls ensure the perfect thermostatically stabilised shower every time.

CARE FEATURES

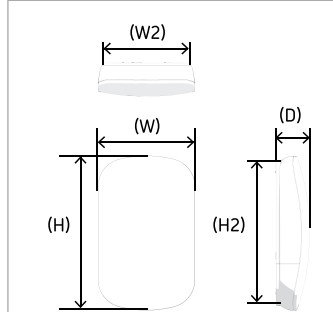
- + Contemporary styling and high gloss finish
- + Easy push Power button, maintains Temp/Flow settings
- + LED Temperature Indicator
- + LED Flow Indicator
- + Independent Temperature and Flow controls
- + Thermostatically Stabilised Temperature
- + Phased/Auto Shutdown
- + Chrome accessories: adjustable riser rail, 1.5m hose, multi-mode handset, soap dish
- + 8.5kW and 9.5kW options
- + Rounded surfaces and edges for safety

INSTALLER FEATURES

- + Super-quick and easy installation
- + 8 electrical/8 water entry points
- + Dual power blocks for left or right hand wiring
- + Retro-fit footprint covers most manufacturers' models
 - No re-tiling required
 - Existing cable & pipework compatible
- + 3-year warranty
- + 8.5kW / 9.5kW options
- + Comprehensive technical after-sales support

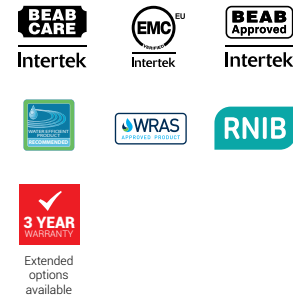


iTherm Electric Shower (Technical Information)



Physical Dimensions:

Height (H)	380mm
Width (W)	230mm
Depth (D)	85mm
Footprint Height (H2)	345mm
Footprint Width (W2)	210mm



Plumbing Supply:

Supply Source	Mains pressure cold water only
Minimum Dynamic Pressure	50kPa (0.5 Bar)
Maximum Static Pressure	1000 kPa (10 Bar)
Optimal Minimum Dynamic Pressure <i>(Recommended to ensure high performance)</i>	100 kPa (1 Bar)
Maximum Inlet Temperature	28°C
Minimum Inlet Temperature	2°C
Inlet Connection	15mm push-fit
Outlet Connection	1/2" BSP Male Thread Fitting
Water Ingress Rating	IPX4
Shower Drain Pump Connections	Suitable for AKW M Series

Electricity Supply:

Nominal Rating at	240 V 9.5kW & 8.5kW
Supply Fuse / Circuit Breaker	(9.5kW 40/45A) & (8.5kW 35/40A)
Residual Current Device (RCD)	30 mA (must be fitted)
Supply Cable	Refer to current wiring regulations and BS 7671 to determine minimum cable size. No larger than 10mm ²
Isolation Switch (e.g. Pull Cord)	45 Amp Double pole with 3mm
Water and Cable Entry Points	Top, bottom or back

Product Codes:

iTherm White 8.5kw Thermostatic Shower with Standard Kit	29024
iTherm White 9.5kw Thermostatic Shower with Standard Kit	29025

iSure Electric Shower



Simple elegance. The perfect solution for replacement installations and when simple is simply the best.

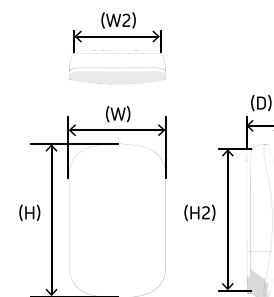
CARE FEATURES

- + Contemporary styling and high gloss finish
- + Easy push Power button, maintains Temp/Flow settings
- + Independent Temperature and Flow controls
- + Maximum Outlet Water Limit Protection
- + Accessories: adjustable chrome riser rail, 1.5m white hose, chrome and white single-mode handset
- + 8.5kW and 9.5kW options
- + Rounded surfaces and edges for safety

INSTALLER FEATURES

- + Super-quick and easy installation
- + 8 electrical/8 water entry points
- + Dual power blocks for left or right hand wiring
- + Retro-fit footprint covers most manufacturers' models
 - No re-tiling required
 - Existing cable & pipework compatible
- + 3-year warranty
- + Maximum Outlet Water Limit Protection
- + 8.5kW / 9.5kW options
- + Comprehensive technical after-sales support

iSure Electric Shower (Technical Information)


Physical Dimensions:

Height (H)	380mm
Width (W)	230mm
Depth (D)	85mm
Footprint Height (H2)	345mm
Footprint Width (W2)	210mm



Extended options available

Plumbing Supply:

Supply Source	Mains pressure cold water only
Minimum Dynamic Pressure	50kPa (0.5 Bar)
Maximum Static Pressure	1000 kPa (10 Bar)
Optimal Minimum Dynamic Pressure <i>(Recommended to ensure high performance)</i>	100 kPa (1 Bar)
Maximum Inlet Temperature	28°C
Minimum Inlet Temperature	2°C
Inlet Connection	15mm push-fit
Outlet Connection	1/2" BSP Male Thread Fitting
Water Ingress Rating	IPX4
Shower Drain Pump Connections	Suitable for AKW M Series

Electricity Supply:

Nominal Rating at	240 V 9.5kW & 8.5kW
Supply Fuse / Circuit Breaker	(9.5kW 40/45A) & (8.5kW 35/40A)
Residual Current Device (RCD)	30 mA (must be fitted)
Supply Cable	Refer to current wiring regulations and BS 7671 to determine minimum cable size. No larger than 10mm ²
Isolation Switch (e.g. Pull Cord)	45 Amp Double pole with 3mm
Water and Cable Entry Points	Top, bottom or back

Product Codes:

iSure White 8.5kw Non-Thermostatic Electric Shower with Standard Kit	29021
iSure White 9.5kw Non-Thermostatic Electric Shower with Standard Kit	29022

MIRA ELECTRIC SHOWERS

Mira Flex Shower 8.7kw



Manufacturer warranty applies

FEATURES

- + Thermostatic control and adjustable temperature safeguards
- + Extended lever control
- + Handset with raised areas to aid touch
- + Independent temperature and flow selection
- + Thermostatic control to +/- 1°C with adjustable maximum temperature limit
- + Extended 2m hose, 1m slide bar and additional handset holder
- + RNIB endorsed
- + Rate 11 litres max
- + Waste pump connectivity to all AKW waste pumps

Product Code:

Mira Flex Shower 8.7kw

25326

TRITON ELECTRIC SHOWERS

Triton Safeguard Pumped Care



Manufacturer warranty applies

FEATURES

- + Pumped electric for low or negligible water pressures
- + Three stage thermostatic performance
- + Timed shower function
- + Minimum temperature set at 35°C
- + Push button start/stop with phased shutdown
- + Power and low flow indicators
- + Extended 1m riser rail
- + Waste pump connectivity to all AKW waste pumps

Product Code:

Triton Safeguard Pumped Care

25336

Triton Safeguard T100 Care



Manufacturer warranty applies

FEATURES

- + Three stage thermostatic performance
- + Adjustable maximum temperature stop
- + Minimum temperature set at 35°C
- + Operates even when the site has low pressure
- + Earth bonding within unit
- + Waste pump connectivity to all AKW waste pumps
- + Timed shower function
- + Raised features and contrasting moving parts
- + Power and low flow indicators
- + Phased shutdown
- + Extended 1m riser rail
- + BEAB Care & RNIB accredited
- + Suitable for cold mains

Product Code:

Triton Safeguard T100 Care

25325

Triton Care Digilink



Manufacturer warranty applies

FEATURES

- + Thermostatic temperature control
- + Adjustable timed shutdown
- + Installation set maximum temperature stop
- + Phased shutdown
- + Low pressure indicator
- + Audible alert when shower is started or stopped
- + RNIB endorsed
- + 8.5kW power rating

Product Code:

Triton Care Digilink

25349

MIXER SHOWERS

Arka® Cool Touch Mixer Shower



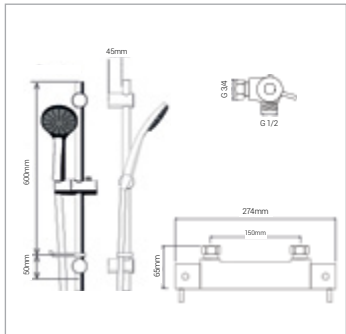
This stylish modern mixer shower allows a safe and enjoyable experience whilst showering.

FEATURES

- + Extremely safe, chrome plated bar ensures the bar is cool to touch whilst water is flowing
- + Maximum set water temperature of 41°C
- + Provided with 1.5m hose, chrome finished shower head, stainless steel riser rail, chrome hose retainer and chrome brass mounting brackets
- + Easy to grip temperature and flow handles
- + Easy grip height adjustable handset holder to allow flexible shower head positioning
- + Rounded levers for safety
- + Rubber openings on the shower head to provide easy cleaning
- + Spiral wound stainless steel hose for easy cleaning
- + 600mm adjustable riser rail and soap dish
- + Safety setting of 38°C

Product Code:

Arka Cool Touch Mixer Shower & Kit **25440**



TMV2 Approval: BC1545/0315

WRAS Approval: 1410905



Extended options available

Technical Information

Minimum Dynamic Pressure	0.5 Bar
Maximum Dynamic Pressure	1 Bar
Maximum Static Pressure	10 Bar
Dimension for Fitting	150mm Inlet Centres
Water Entry	Back
Inlet Connectors	3/4" BSP
Approvals	TMV2, BC1545/0315, WRAS 1410905
Maximum Pre-Set Temperature	41/38°C
Approximate ECO Flow	8.5 Litres per Minute (when tested at 3 Bar)

Arka® Thermostatic Mixer Shower



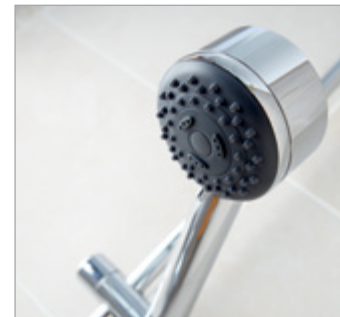
This chrome mixer shower is a great addition to any modern bathroom.

FEATURES

- + Reliable thermostatic performance supported by TMV3 approval
- + Easy to operate paddle levers, suitable for users of all abilities
- + Adjustable, easy clean head giving a choice of three spray patterns
- + Independently operated flow and temperature controls for safer use
- + Wall bracket allows flexible shower head positioning
- + Chrome soap dish means all your showering accessories are within easy reach
- + Brass body with chrome finish
- + Supplied with 2m chrome hose and 1m chrome riser bar giving extra manoeuvrability when showering
- + Fitted with check valves for backflow prevention
- + Maximum pre-set temperature of 41°C

Product Code:

Arka Thermostatic Mixer Shower **25420**



TMV3 Approval: SMV-001

WRAS Approval: 1006056

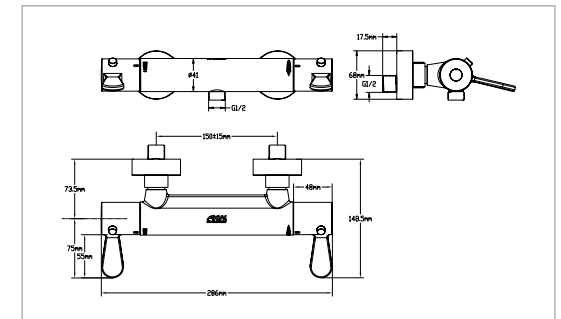


Extended options available

Optional: Arka Fixing Kits

Wall Mounted (Concealed) **25424**

Surface Mounted (Exposed) **25423**



Arka® Care Mixer Shower



Chrome mixer shower with additional care accessory kit gives ultimate style and support when showering.

FEATURES

- + Integral stainless steel grab riser rail for additional support and peace of mind
- + Easy grip shower head with grey rubber petals for quick spray pattern adjustment
- + 5 spray patterns settings for maximum showering comfort
- + Extended 2 metre shower hose ideal for assisted showering
- + Easy push buttons for shower head height adjustments
- + Soap dish and shelf included as standard and situated within easy reach for user
- + Additional shower head bracket for alternative positioning within the enclosure
- + Hose retaining ring included to prevent shower head being dropped and contaminated
- + 1 metre riser rail can support up to 150kg

Product Code:

Arka Care Mixer Shower **25420CH**



Easy Grip Shower Head



Soap Dish

TMV3 Approval: SMV-001



Extended options available

Arka® & Arka® Care Technical Information

Minimum Dynamic Pressure	0.5 Bar
Maximum Dynamic Pressure	1 Bar
Maximum Static Pressure	10 Bar
Dimension for Fitting	150mm Inlet Centres
Water Entry	Back
Inlet Connectors	3/4" BSP
Valve Type	Bar Valve with Dual Independent Thermostatic and Flow Control
Approvals	TMV3, WRAS, BSEN1111:1999, BSEN1287:1999
Maximum Pre-Set Temperature	41/38°C
Approximate ECO Flow	7-8.5 Litres per Minute (when tested at 3 Bar)
Maximum Flow	21 Litres per Minute (when tested at 3 Bar)

Vettora Thermostatic Mixer Shower



Stylish but simple, with the thermostatic control you'd expect from the UK's leading inclusive showering provider. This TMV2 thermostatically controlled mixer shower embodies AKW's core values of safety, functionality and simplicity.

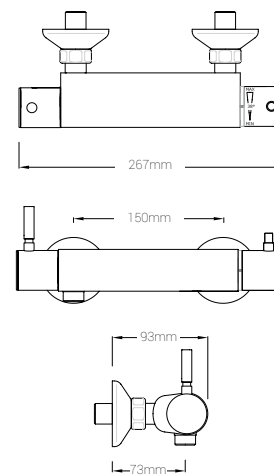
FEATURES

- + Clear flow and temperature indicators for ease of use
- + Easy grip levers for flow and temperature control
- + Shower valve supplied with multi-function shower head, hose, riser rail and all fixings
- + Contemporary chrome plated finish
- + Easy to clean
- + Temperature override button
- + Restricted flow option enhancing water conservation
- + Easy twist shower head

Product Code:

Vettora Mixer Shower **25658**

Technical Drawings:



TMV2 Approval: BC763



Extended options available

Technical Information

Minimum Dynamic Pressure	0.5 Bar
Maximum Dynamic Pressure	1 Bar
Maximum Static Pressure	10 Bar
Dimension for Fitting	150mm Inlet Centres
Concealed & Exposed Water Entry	Back
Inlet Connectors	3/4" BSP
Valve Type	Thermostatic Bar Shower Mixer with Independent Flow & Temperature Control
Approvals	TMV2, WRAS
Maximum Pre-Set Temperature	38°C
Maximum Pressure Difference (between Hot & Cold Water Supply)	1 Bar
Maximum Flow	34 Litres per Minute (when tested at 3 Bar)